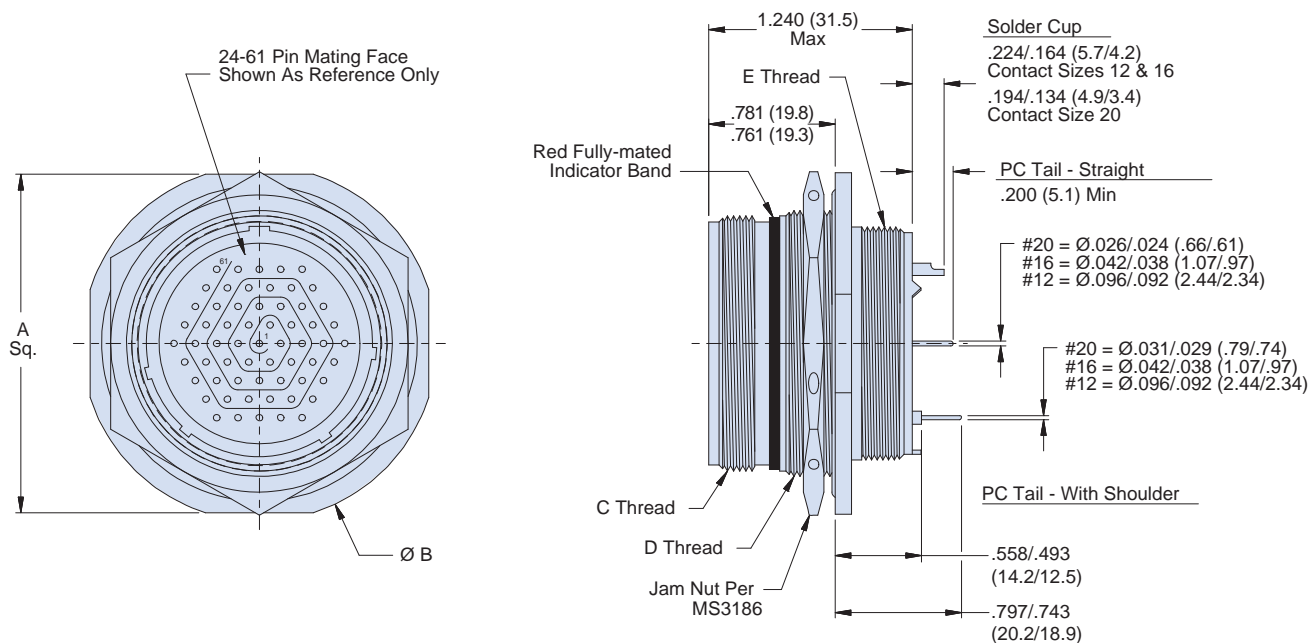


MIL-DTL-83723 SERIES III TYPE JAM NUT RECEPTACLE, THREADED COUPLING

How To Order	
Sample Part Number	240-837 J ME 24-61 P S P A N N
Filter Connector	MIL-DTL-83723 Series III Type, threaded coupling
Shell Style	J = Jam Nut
Connector Class	See Table I
Insert Arrangement	IAW MIL-STD-1554. (See pages B-72 – B-73)
Contact Gender	P = Pin IAW D83723/85 S = Socket IAW D83723/84
Termination	S = Solder Cup P = PC Tail, Straight T = PC Tail, with Shoulder
Filter Type	P = Pi Circuit C = C Circuit (See Note 1)
Capacitance	See Table II
Flange Mounting Style	N = Not Applicable
Alternate Insert Position	IAW MIL-DTL-83723 and MIL-STD-1554 1, 2, 3, 4, 5, 6, 7, 8, 9, Y, N = Normal (See page B-73)


Notes

- Other filter styles (C-L, L-C, Unbalanced Pi, Multi-Stage, Multi-Value) are available, please consult the factory.

Dimensions in inches (millimeters) and are subject to change without notice.

240-837J
MIL-DTL-83723 Series III Type
Jam Nut Receptacle, Threaded Coupling



MIL-DTL-83723
Type

B

Sym	Material	Finish Description
ME	Aluminum	Electroless Nickel
MT		Ni-PTFE 1000 Hour Grey™ Nickel Fluorocarbon Polymer
NF		Cadmium O.D. Over Electroless Nickel
ZL	Stainless Steel	Electro-Deposited Nickel
ZN	Aluminum	Zinc-Nickel, Olive Drab
ZR	Aluminum	Zinc Nickel, Black - RoHS
H2*	Stainless Steel	Electro-Deposited Nickel

*Some dimensions do not apply. See drawing 240-837JH2

Class	Pi - Circuit (pF)	C - Circuit (pF)
X*	160,000 - 240,000	80,000 - 120,000
Y*	80,000 - 120,000	40,000 - 60,000
Z*	60,000 - 90,000	30,000 - 45,000
A	38,000 - 56,000	19,000 - 28,000
B	32,000 - 45,000	16,000 - 22,500
C	18,000 - 33,000	9,000 - 16,500
D	8,000 - 12,000	4,000 - 6,000
E	3,300 - 5,000	1,650 - 2,500
F	800 - 1,300	400 - 650
G	400 - 600	200 - 300
J	70-120	35-60

* Filter Classes X, Y and Z are 250 VDC.
All others are 500 VDC

Shell Size	A SQ.	Ø B	C Thread UNEF-2A	D Thread -2A	E Thread -2A
8	.980 (24.9)	1.078 (27.4)	.562-24	.625-20 UN	.500-20 UNF
	.949 (24.1)	1.047 (26.6)			
10	1.104 (28.0)	1.192 (30.3)	.688-24	.750-20 UNEF	.625-24 UNEF
	1.073 (27.3)	1.161 (29.5)			
12	1.291 (32.8)	1.380 (35.1)	.875-20	.938-20 UNEF	.750-20 UNEF
	1.260 (32.0)	1.349 (34.3)			
14	1.391 (35.3)	1.561 (39.6)	.938-20	1.000-20 UNEF	.875-20 UNEF
	1.360 (34.5)	1.485 (37.7)			
16	1.516 (38.5)	1.641 (41.7)	1.062-18	1.125-18 UNEF	1.000-20 UNEF
	1.485 (37.7)	1.610 (40.9)			
18	1.641 (41.7)	1.766 (44.9)	1.188-18	1.250-18 UNEF	1.062-18 UNEF
	1.610 (40.9)	1.735 (44.1)			
20	1.766 (44.9)	1.954 (49.6)	1.312-18	1.375-18 UNEF	1.188-18 UNEF
	1.735 (44.1)	1.923 (48.8)			
22	1.954 (49.6)	2.078 (52.8)	1.438-18	1.500-18 UNEF	1.312-18 UNEF
	1.923 (48.8)	2.047 (52.0)			
24	2.079 (52.8)	2.182 (55.4)	1.562-18	1.625-18 UNEF	1.438-18 UNEF
	2.048 (52.0)	2.152 (54.7)			

Dimensions in inches (millimeters) and are subject to change without notice.