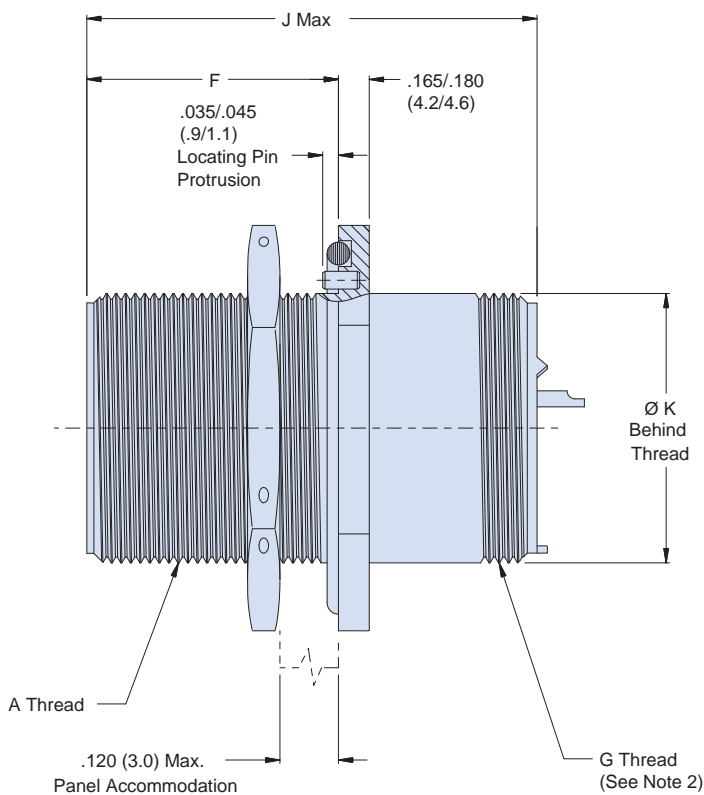
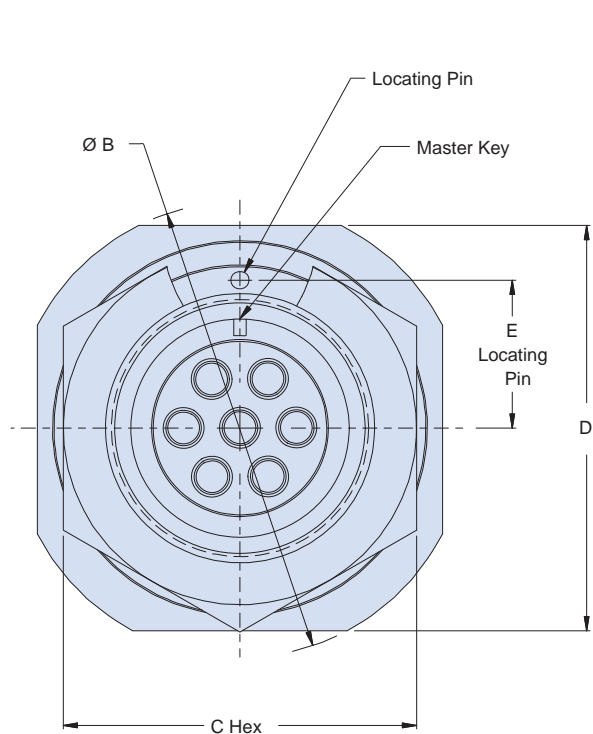


## MIL-DTL-5015 TYPE JAM NUT RECEPTACLE

How To Order								
Sample Part Number	240-515	J	NF	36-4	SS	C	B	X
Filter Connector	MIL-DTL-5015 Type							
Shell Style	J = Jam Nut							
Connector Class	See Table II							
Insert Arrangement	IAW MIL-STD-1651 (See pages B-97 - B-99)							
Contact Type	PS = Pin, Solder Cup    SS = Socket, Solder Cup							
Filter Type	C = C Circuit (See Note 1)							
Capacitance	See Table III							
Alternate Insert Position	Per MIL-STD-1651. W, X, Y, Z, N = Normal (See pages B-97 - B-99)							


**Notes**

- Other filter styles (Pi, C-L, L-C, Unbalanced Pi, Multi-Stage, Multi-Value) are available, please consult the factory.

Dimensions in inches (millimeters) and are subject to change without notice.

240-515J  
MIL-DTL-5015 Series III Type Filter Connector  
MS3454 Jam Nut Receptacle



MIL-DTL-5015  
Type

B

Table I: Dimensions

Shell Size	A Thread 2A	Ø B ±.005 (±.13)	C Hex	D ±.005 (±.13)	E ±.005 (±.13)	F ±.005 (±.13)	G Thread 2A	J Max	Ø K
8S	.500-28 UNEF	1.272 (32.3)	.687 (17.4)	1.187 (30.1)	.323 (8.2)	.720 (18.3)	.500-20 UNF	1.800 (45.7)	.500 (12.7) .490 (12.4)
10SL	.625-24 UNEF	1.397 (35.5)	.812 (20.6)	1.312 (33.3)	.385 (9.8)	.720 (18.3)	.625-24 UNEF	1.800 (45.7)	.625 (15.9) .615 (15.6)
10SL	.625-24 UNEF	1.397 (35.5)	.812 (20.6)	1.312 (33.3)	.385 (9.8)	.720 (18.3)	.625-24 UNEF	1.800 (45.7)	.625 (15.9) .615 (15.6)
12S	.750-20 UNEF	1.522 (38.7)	.937 (23.8)	1.437 (36.5)	.448 (11.4)	.720 (18.3)	.750-20 UNEF	1.800 (45.7)	.750 (19.1) .740 (18.8)
12	.750-20 UNEF	1.522 (38.7)	.937 (23.8)	1.437 (36.5)	.448 (11.4)	.970 (24.6)	.750-20 UNEF	2.000 (50.8)	.750 (19.1) .740 (18.8)
14S	.875-20 UNEF	1.647 (41.8)	1.125 (28.6)	1.562 (39.7)	.510 (13.0)	.720 (18.3)	.875-20 UNEF	1.800 (45.7)	.875 (22.2) .865 (22.0)
14	.875-20 UNEF	1.647 (41.8)	1.125 (28.6)	1.562 (39.7)	.510 (13.0)	.970 (24.6)	.875-20 UNEF	2.000 (50.8)	.875 (22.2) .865 (22.0)
16S	1.000-20 UNEF	1.772 (45.0)	1.250 (31.8)	1.687 (42.8)	.573 (14.6)	.720 (18.3)	1.000-20 UNEF	1.800 (45.7)	1.000 (24.5) .990 (25.1)
16	1.000-20 UNEF	1.772 (45.0)	1.250 (31.8)	1.687 (42.8)	.573 (14.6)	.970 (24.6)	1.000-20 UNEF	2.000 (50.8)	1.000 (24.5) .990 (25.1)
18	1.125-18 UNEF	1.817 (46.2)	1.375 (34.9)	1.812 (46.0)	.635 (16.1)	.970 (24.6)	1.0625-18 UNEF	2.000 (50.8)	1.062 (27.0) 1.052 (26.7)
20	1.250-18 UNEF	2.022 (51.4)	1.500 (38.1)	1.937 (49.2)	.698 (17.7)	.970 (24.6)	1.1875-18 UNEF	2.000 (50.8)	1.187 (30.1) 1.177 (29.9)
22	1.375-18 UNEF	2.241 (56.9)	1.625 (41.3)	2.156 (54.8)	.760 (19.3)	.970 (24.6)	1.3125-18 UNEF	2.000 (50.8)	1.312 (33.3) 1.302 (33.1)
24	1.500-18 UNEF	2.356 (59.8)	1.750 (44.5)	2.281 (57.9)	.823 (20.9)	.970 (24.6)	1.4375-18 UNEF	2.000 (50.8)	1.437 (36.5) 1.427 (36.2)
28	1.750-18 UNS	2.616 (66.4)	2.000 (50.8)	2.531 (64.3)	.948 (24.1)	.970 (24.6)	1.750-18 UNS	2.000 (50.8)	1.750 (44.5) 1.740 (44.2)
32	2.000-18 UNS	2.856 (72.5)	2.375 (60.3)	2.781 (70.6)	1.073 (27.3)	.970 (24.6)	2.000-18 UNS	2.000 (50.8)	2.000 (50.8) 1.990 (50.5)
36	2.250-16 UN	3.118 (79.2)	2.625 (66.7)	3.031 (77.0)	1.198 (30.4)	.970 (24.6)	2.250-16 UN	2.000 (50.8)	2.250 (57.2) 2.240 (56.9)
40	2.500-16 UN	3.368 (85.5)	2.875 (73.0)	3.281 (83.3)	1.323 (33.6)	.970 (24.6)	2.500-16 UN	2.000 (50.8)	2.500 (63.5) 2.490 (63.2)

Table II: Connector Class

Sym	Material	Finish Description
ME	Aluminum	Electroless Nickel
NF		Cadmium O.D. Over Electroless Nickel
ZL	Stainless Steel	Electro-Deposited Nickel

Table III: Capacitor Array Code  
Capacitance Range

Class	C - Circuit (pF)
X	80,000 - 120,000
Y	40,000 - 60,000
Z	30,000 - 45,000
A	19,000 - 28,000
B	16,000 - 22,500
C	9,000 - 16,500

Dimensions in inches (millimeters) and are subject to change without notice.