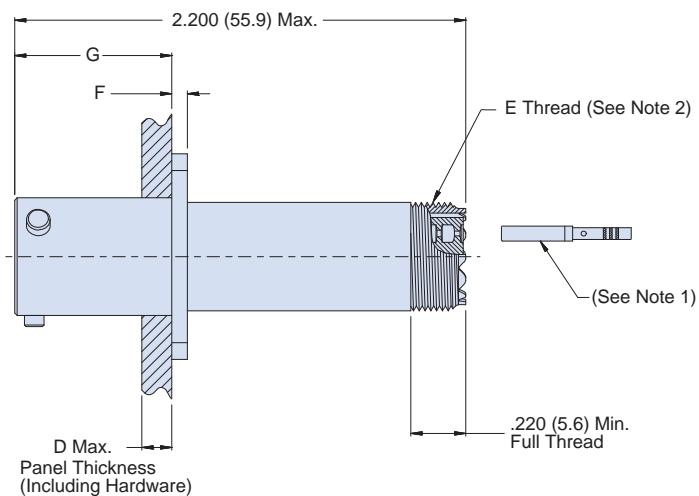
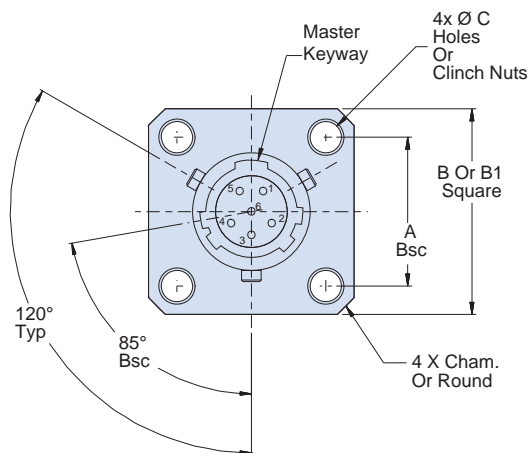


### D38999 SERIES I TYPE WALL MOUNT RECEPTACLE WITH CRIMP REMOVABLE CONTACTS

How To Order										
Sample Part Number	240-381	R	ME	15-35	P	C	P	A	C	N
Filter Connector	MIL-DTL-38999 Series I Type									
Shell Style	R = Wall Mount Receptacle with Crimp Contacts									
Connector Class	See Table I									
Insert Arrangement	IAW MIL-STD-1560. (See pages B-4 – B-5)									
Contact Gender	P = Pin S = Socket									
Termination	C = Crimp									
Filter Type	P = Pi Circuit C = C Circuit (See Note 3)									
Capacitance	See Table II									
Flange Mounting Style	H = Round Holes C = Clinch Nuts (4-40 UNC) M = Metric Clinch Nuts (M3)									
Alternate Key Position	A, B, C, D, N = Normal (See page B-5)									



#### Notes

1. Crimp removable contacts to conform to MIL-C-39029/57-358, Size 16, MIL-C-39029/57-357 Size 20, and MIL-C-39029/57-354 Size 22D (Supplied loose).
2. "E" accessory threads for shell size 9 thru 17 are one size larger than MIL-DTL-38999 Series I to accommodate filters
3. Other filter styles (C-L, L-C, Unbalanced Pi, Multi-Stage, Multi-Value) are available, please consult the factory.

Dimensions in inches (millimeters) and are subject to change without notice.

240-381R  
MIL-DTL-38999 Series I Type Filter Connector  
Wall Mount Receptacle with Crimp Removable Contacts



MIL-DTL-38999  
Type

B

Sym	Class	Material	Finish Description
ME	Environmental	Aluminum	Electroless Nickel
MT	Environmental	Aluminum	Ni-PTFE 1000 Hour Grey™ Nickel Fluorocarbon Polymer
NF	Environmental	Aluminum	Cadmium O.D. Over Electroless Nickel
ZL	Environmental	Stainless Steel	Electro-Deposited Nickel
ZN	Environmental	Aluminum	Zinc-Nickel, Olive Drab
ZR	Environmental	Aluminum	Zinc Nickel, Black - RoHS
H2*	Hermetic	Stainless Steel	Electro-Deposited Nickel

\*Some dimensions do not apply. See drawing 240-381RH2

Class	Pi - Circuit (pF)	C - Circuit (pF)
X*	160,000 - 240,000	80,000 - 120,000
Y*	80,000 - 120,000	40,000 - 60,000
Z*	60,000 - 90,000	30,000 - 45,000
A	38,000 - 56,000	19,000 - 28,000
B	32,000 - 45,000	16,000 - 22,500
C	18,000 - 33,000	9,000 - 16,500
D	8,000 - 12,000	4,000 - 6,000
E	3,300 - 5,000	1,650 - 2,500
F	800 - 1,300	400 - 650
G	400 - 600	200 - 300
J	70-120	35-60

\* Filter Classes X, Y and Z are 250 VDC.  
All others are 500 VDC

Shell Size	A Bsc	Thru Hole Flange		Clinch Nut Flange	D Max	E Thread UNEF-2A	F +.015 (.38) -.000 (.00)	G +.000 (.00) -.005 (.13)
		B Sq. ±.020 (.51)	Ø C +.010 (.25) -.005 (.13)	B1 Sq. ±.020 (.51)				
9	.719 (18.3)	.938 (23.8)	.128 (3.3)	1.019 (25.9)	.234 (5.9)	.5625-24	.085 (2.2)	.820 (20.8)
11	.812 (20.6)	1.031 (26.2)	.128 (3.3)	1.112 (28.2)	.234 (5.9)	.6875-24	.085 (2.2)	.820 (20.8)
13	.906 (23.0)	1.125 (28.6)	.128 (3.3)	1.206 (30.6)	.234 (5.9)	.8125-20	.085 (2.2)	.820 (20.8)
15	.969 (24.6)	1.219 (31.0)	.128 (3.3)	1.269 (32.2)	.234 (5.9)	.9375-20	.085 (2.2)	.820 (20.8)
17	1.062 (27.0)	1.312 (33.3)	.128 (3.3)	1.362 (34.6)	.234 (5.9)	1.0625-18	.085 (2.2)	.820 (20.8)
19	1.156 (29.4)	1.438 (36.5)	.128 (3.3)	1.456 (37.0)	.234 (5.9)	1.0625-18	.085 (2.2)	.820 (20.8)
21	1.250 (31.8)	1.562 (39.7)	.128 (3.3)	1.562 (39.7)	.204 (5.2)	1.1875-18	.115 (2.9)	.790 (20.1)
23	1.375 (34.9)	1.688 (42.9)	.147 (3.7)	1.719 (43.7)	.204 (5.2)	1.3125-18	.115 (2.9)	.790 (20.1)
25	1.500 (38.1)	1.812 (46.0)	.147 (3.7)	1.844 (46.8)	.193 (4.9)	1.4375-18	.115 (2.9)	.790 (20.1)

Dimensions in inches (millimeters) and are subject to change without notice.