

FO04309
NGCON Fiber Optic Test Probe
Keyed Jumper Assembly



Fiber optic test probe for fast and easy optical analysis of installed fiber optic systems

How To Order

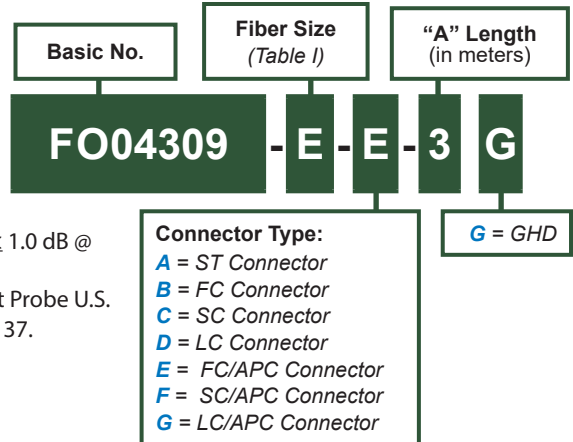
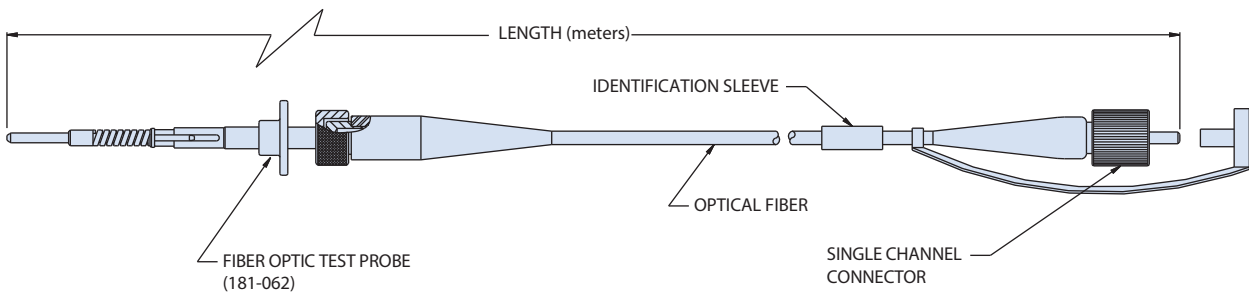


Table I: Fiber Size	
Symbol	Size
E	Singlemode 9.3/125
F	Singlemode 5.8/125
G	Singlemode 7.5/125

Optical insertion loss ≤ 1.0 dB @ 1310 nm wavelength.
 Glenair Fiber Optic Test Probe U.S. Patent Number 5,960,137.



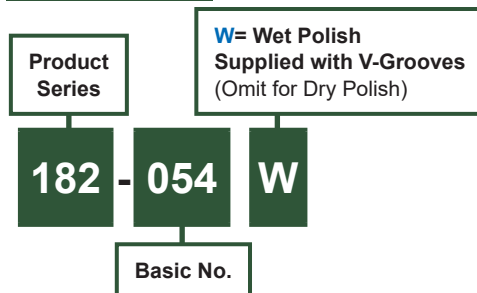
Note

- "APC" physical contact polish to be IAW Glenair manufacturing procedure AWS-A040-F
- For use with the following test probe adapters:
 180-173-1 Keyed and 180-154M Non-keyed

Fiber optic polishing tool for NGCON style termini fiber optic test probes



How To Order



Note

- Polishing puck is for PC polish only. For APC Glenair recommends autopolish, consult factory for more information
- Polishing tool is designed for use with the following Glenair termini:
 181-047 (Pin, size 18 terminus)
 181-056 (Pin, size 18 terminus)