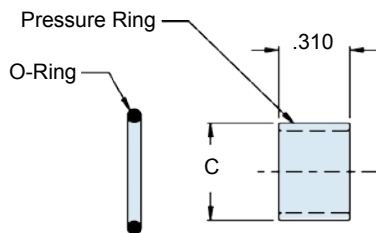
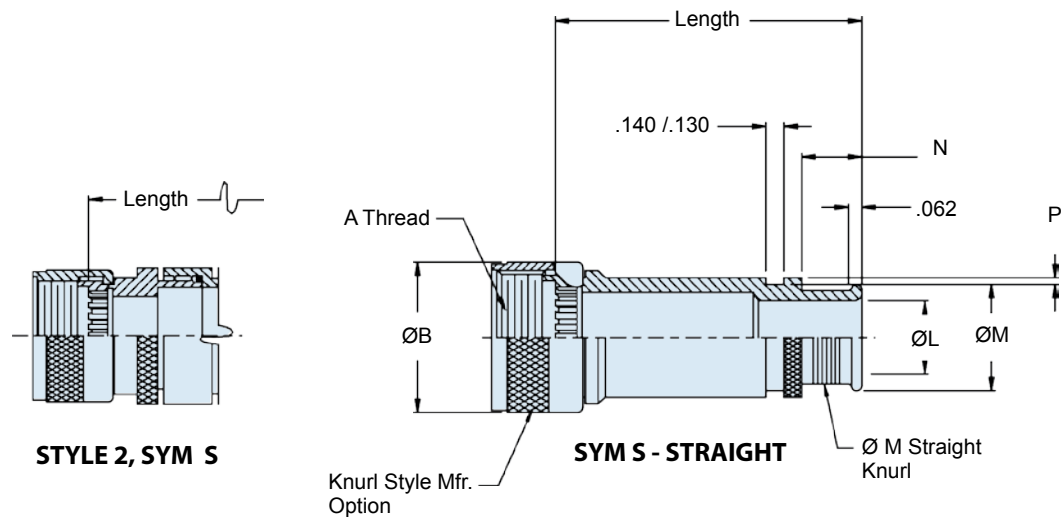
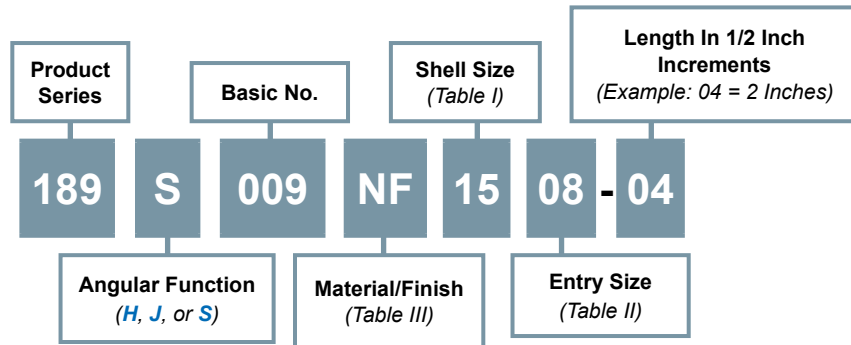


**MIL-PRF-28876 banding backshell/molding adapter**
**How To Order**

**Material and Finish**

Adapters, Elbows, Coupling Nut, Pressure Ring: see Table II  
 Clamp Components: Ryton R 4XT-Black, Ultem 1000-Natural  
 O-Ring: Fluorosilicone

**Notes**

Assembly to be identified with manufacturer's name and P/N, space permitting.  
 Standard minimum length for style 1: 1.5 inches, for Style 2: 2 inches.  
 Note: Length applies to SYM S, Straight only.  
 When cable diameter exceeds inside diameter of Connector Shell, Style 2 will be supplied.  
 Glenair 600 Series Backshell assembly tools are recommended for assembly and installation.  
 O-Ring and Pressure Ring to be packaged loose and must be installed with Connector at time of assembly.

189-009  
**Banding Backshell / Molding Adapter**  
 For MIL-PRF-28876 Connectors



MIL-PRF-28876  
 Connectors

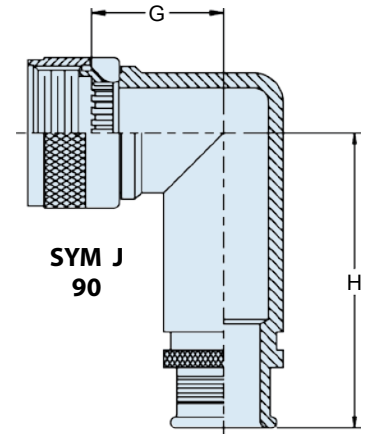
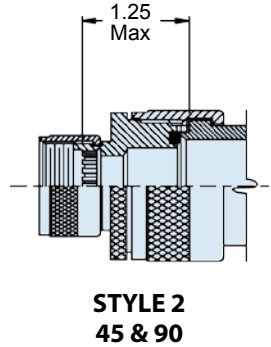
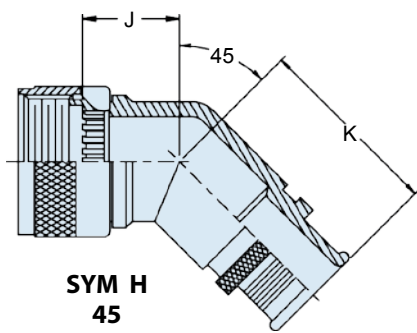


Table I									
Shell Size	Conn. Desig.	A Thread UNEF	ØB Max	ØC Max	G Max	H Max	J Max	K Max	Max Entry
11	A	.750-20	.960 (26.2)	.410 (10.4)	1.28 (32.5)	1.33 (33.8)	1.14 (29.0)	1.19 (30.2)	07
13	B	.875-20	1.09 (29.0)	.532 (13.5)	1.35 (34.3)	1.40 (35.6)	1.17 (29.7)	1.22 (30.1)	08
15	C	1.000-20	1.26 (32.0)	.710 (18.0)	1.43 (36.3)	1.47 (37.3)	1.20 (30.4)	1.25 (31.8)	10
23	F	1.437-18	1.70 (43.2)	1.12 (28.4)	1.64 (41.7)	1.68 (46.7)	1.29 (32.8)	1.33 (33.8)	13

Table II				
Dash No.	P	L Dia.	M Dia.	N
04	.044	.205	.325	.525
05	.044	.235	.355	.525
06	.044	.255	.375	.525
07	.044	.205	.450	.525
08	.044	.330	.580	.600
09	.044	.450	.660	.600
10	.044	.670	.790	.600
11	.044	.840	.960	.600
12	.069	1.080	1.080	.600
13	.069	1.200	1.200	.600

Table III: Material and Finish		
Code	Material	Finish Description
M	Aluminum Alloy	Electroless Nickel
NF		Cadmium/Olive Drab Over Electroless Nickel (500 hour salt spray)

Refer to Appendix for material/finish details

