

180-118 (H7)

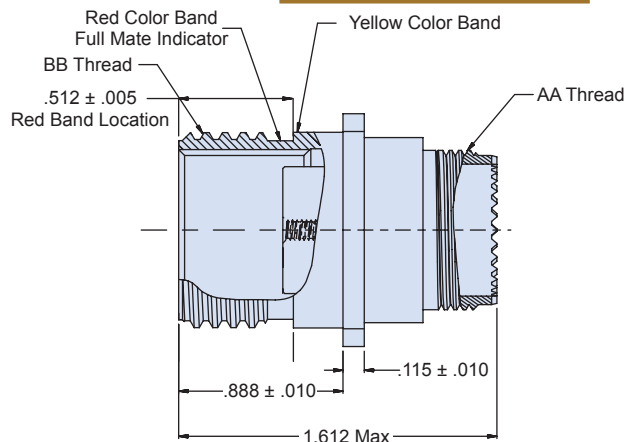
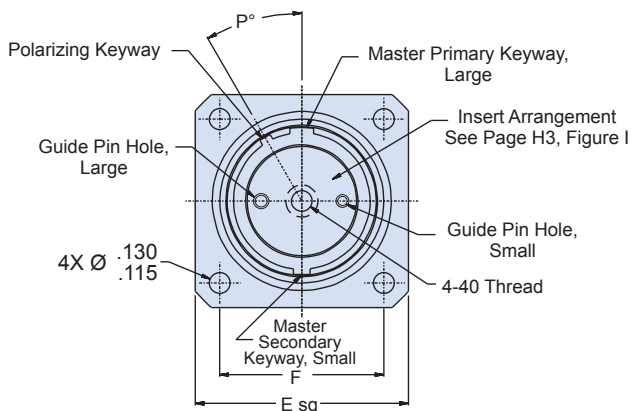
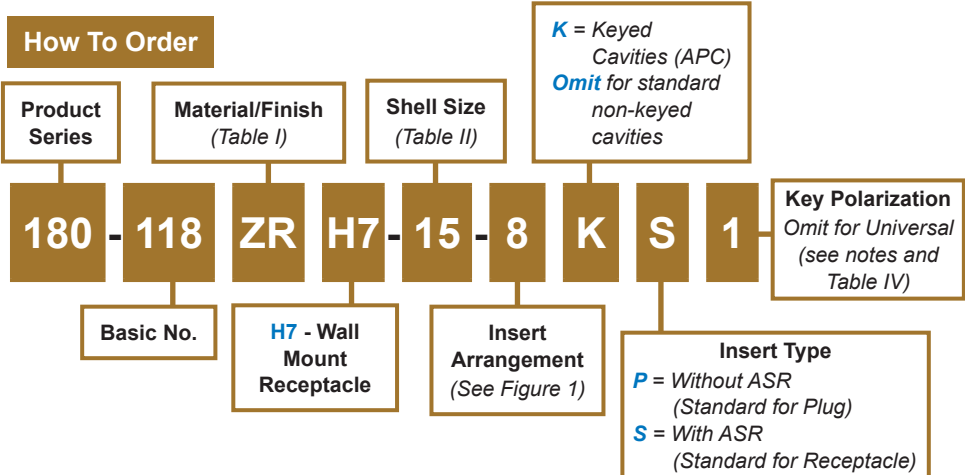
Next Generation MIL-PRF-64266/1 (NGCON) Type
Fiber Optic Square Flange Wall Mount Receptacle



MIL-PRF-64266
(NGCON)



MIL-PRF-64266/1 NGCON type fiber optic square flange wall mount receptacle



H7 - Wall Mount Receptacle
Standard receptacle configuration supplied with ASR, not shown (Insert type = S)

H

Material and Finish

Shell: See Table I
Insert: Al Alloy/Anodize, or high grade engineering thermoplastic- mfr's option
Alignment sleeve retainer (ASR): Al Alloy/Anodize
Alignment sleeves: Zirconia ceramic
Misc. hardware: Stainless steel/Passivate

Notes

Receptacle connector universal keyway polarization contains all polarizations (1 thru 9, A, B, and C).
Alignment Sleeve Retainer (ASR, not shown) is supplied with insert type "S" only. One ASR is required for each mated pair of connectors.
ASR may be ordered separately. See Glenair drawing 180-118ASR.
Connectors with keyed terminus cavities are intended for use with keyed termini for singlemode APC. Otherwise use standard non-keyed connector cavities and termini.