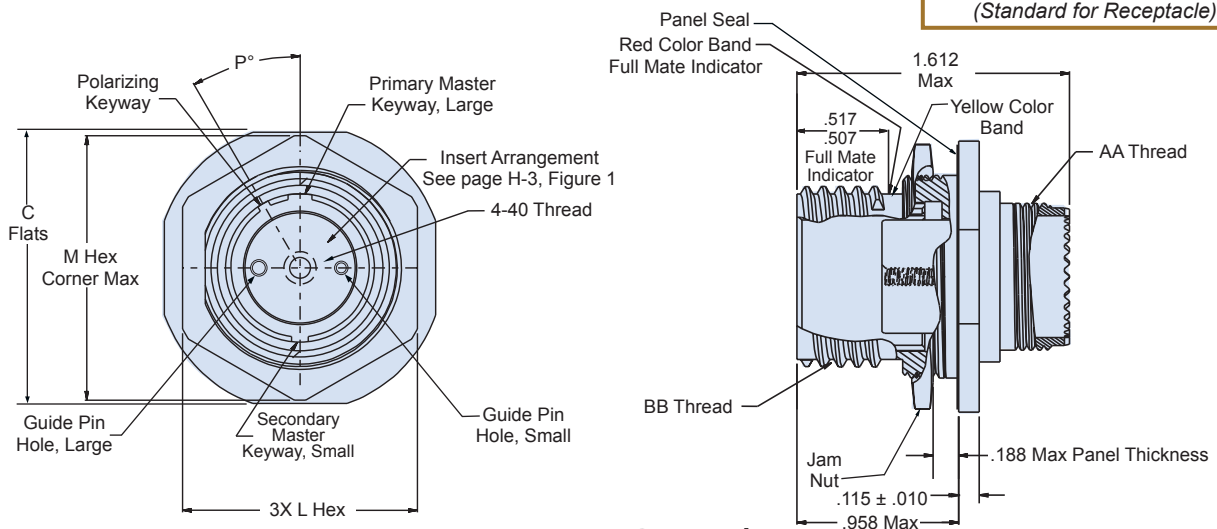
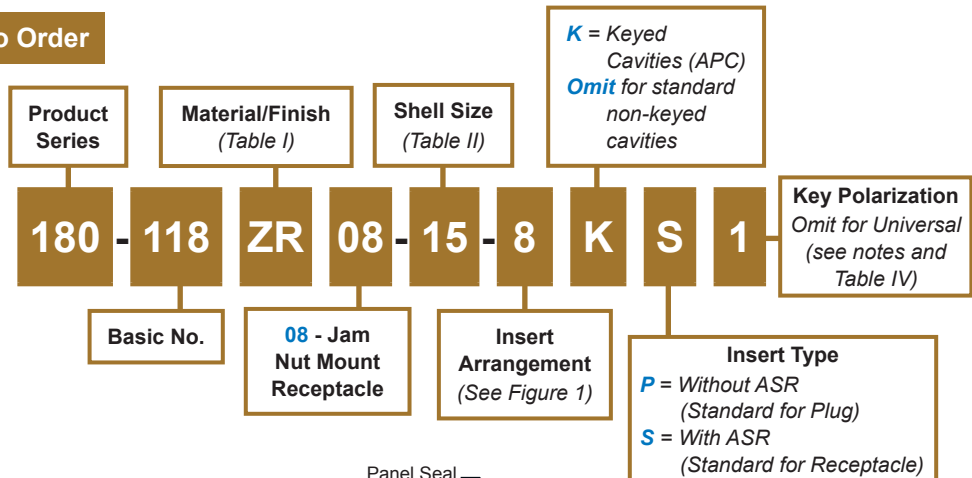


MIL-PRF-64266/3 NGCON type fiber optic, jam nut mount receptacle

How To Order



08 - Jam Nut Mount Receptacle

Standard receptacle configuration supplied with ASR, not shown
(Insert Type = S)

Material and Finish

Shell, Jam Nut: see Table I
 Insert: Al Alloy/ Anodize, or High Grade Engineering Plastic- mfr's option
 Alignment sleeve retainer (ASR): Al Alloy/Anodize
 Alignment sleeves: zirconia ceramic
 Panel seal: Fluorosilicone
 Misc. Hardware: Stainless Steel/Passivate

Notes

Receptacle connector universal keyway polarization contains all polarizations (1 thru 9, A, B, and C). Alignment Sleeve Retainer (ASR, not shown) is supplied with insert type "S" only. One ASR is required for each mated pair of connectors. ASR may be ordered separately. See Glenair drawing 180-118ASR. Connectors with keyed terminus cavities are intended for use with keyed termini for singlemode APC. Otherwise use standard non-keyed connector cavities and termini.