



**180-052**  
**2 Channel Fiber Optic Receptacle Connector**  
for M29504/05 Socket Terminus

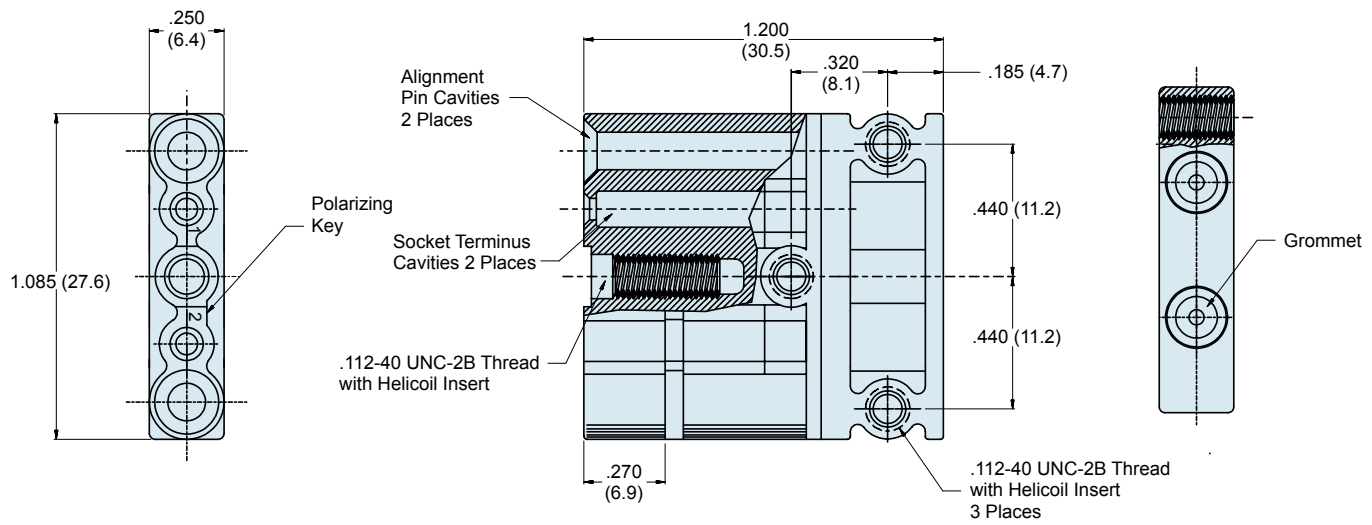
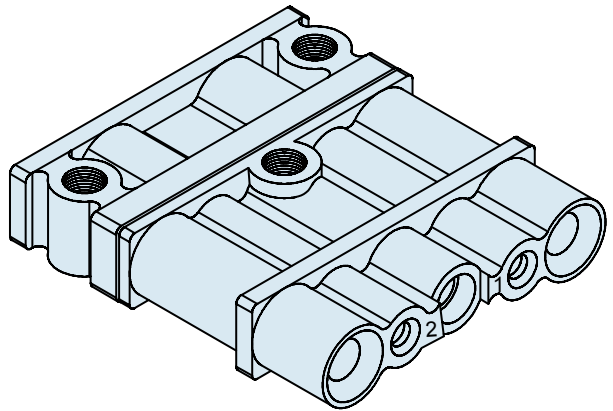
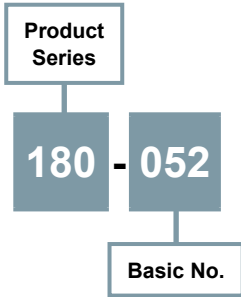
**D38999**  
Series III

**B**

**2 Channel fiber optic receptacle connector**



**How To Order**



**Material and Finish**

Connector Housing: High Grade Engineering Thermoplastic  
Grommet: Fluorosilicone  
Helicoil Insert: Stainless Steel

**Notes**

Connector designed to accept Glenair Part Number 181-001 or MIL-PRF-29504/5 Style Fiber Optic Termini. Termini not supplied.  
Recommended Insertion/Removal Tool: P/N M81969/14-03 or equivalent.