

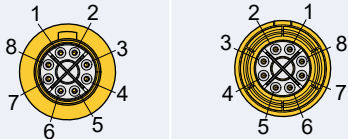
## El Ochito<sup>®</sup> White Pin-to-Socket Cat 6A Cable Assembly 8571-0002

ELOCHITO<sup>®</sup> JUMPERS



El Ochito<sup>®</sup> White for 10GBASE-T Ethernet, pin contact mating face

### Contact Positions



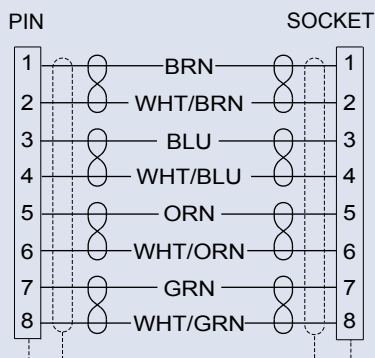
Mating face of Pin

Mating face of Socket

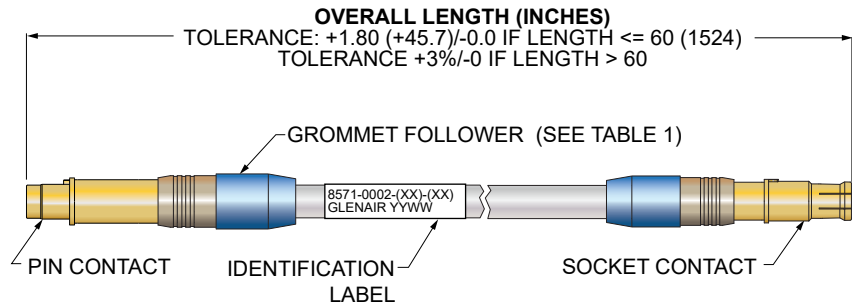
### Technical Data

- Refer to individual contact and cable data sheets for construction details
- 100% tested for shorts, continuity and IR
- **Operating temp.:** -65° to +175°C
- **Impedance:** 100 ohms
- **DWV:** 500 Vrms
- **Current Rating:** 1.5 A
- **IR:** 200 megohms min.
- **Durability:** 500 mating cycles

### Wiring Diagram



**Lower installed cost. 100% tested.** Save assembly time and cost with pre-wired El Ochito<sup>®</sup> White assemblies. These pin-to-socket cables have El Ochito<sup>®</sup> White contacts terminated to Cat 6A aerospace-grade shielded cable. Supplied with cable grommet follower if applicable. These pre-wired El Ochito<sup>®</sup> contacts snap into connector body without requiring an insertion tool. Remove contacts with plastic tool 859-049. Compatible with Glenair Series 23, Series 28, Series 792, Series 816, Series 806, ARINC 600 and EPXB connectors. Designed to meet the requirements of MIL-DTL-38999, SAE AS39029. *El Ochito<sup>®</sup> contacts must be installed in keyed connectors before mating to prevent misalignment and contact damage.*



### Cat 6A Pre-Wired El Ochito<sup>®</sup> Pin-Socket Assemblies

Sample Part Number	8571-0002	-01	-36
Product	8571-0002 = Pre-wired El Ochito <sup>®</sup> contacts, Pin-to-Socket		
Order Code	See Table 1		
Length	Length in Inches (12 inch minimum)		

### Table 1 Order Code

Connector Type	Order Code	Pin Contact Part No.	Skt Contact Part No.	Grommet Follower	Type I/ Type II	Cable Part Number
Series 23 Series 28	01	858-003-01F	858-004-01F	Yes	I	963-003-26
	02	858-005-01	858-006-01	No	II	963-003-26
	03	858-005-02	858-006-02	No	II	963-033-26
	04	858-005-04	858-006-04	No	II	963-033-24
	05	858-003-02F	858-004-02F	Yes	I	963-033-26
Series 792 Series 806 Series 816	06	858-045-01F	858-046-01F	Yes	I	963-003-26
ARINC 600	07	858-045-02F	858-046-02F	Yes	I	963-033-26
	08	858-009-01	858-010-01	No	I	963-003-26
EPXB	09	858-009-02	858-010-02	No	I	963-033-26
	10	858-014-01F	858-015-01F	Yes	I	963-033-26
Series 792	13	858-043-01	858-042-01	no	II	963-003-26
	14	858-043-02	858-042-02	no	II	963-033-26
	15	858-043-04	858-042-04	no	II	963-033-24