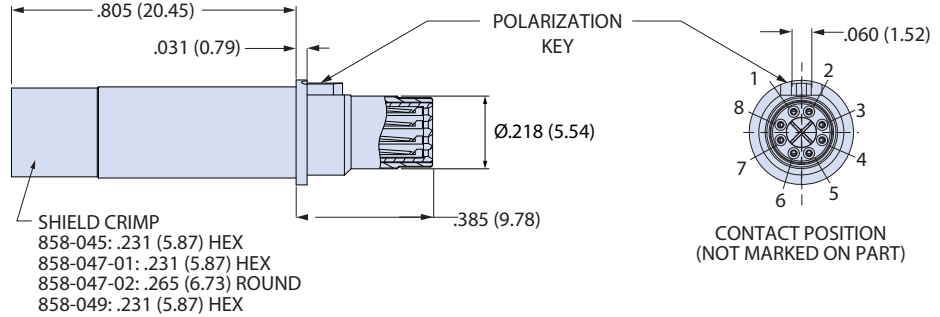


Dimensions: Series 806 and 816 Contacts

El Ochito[®] Type I, Pin and Socket Contacts for Series 806 and Series 816

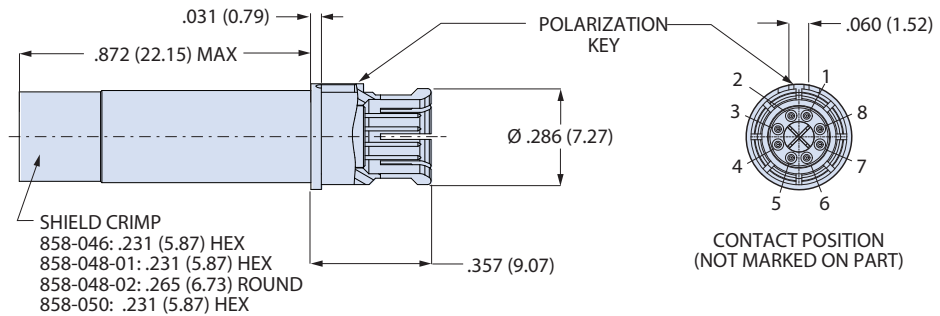
Pin Contact

| Type I | |
|--------|---------|
| Color | Pin |
| White | 858-045 |
| Blue | 858-047 |
| Red | 858-049 |



Socket Contact

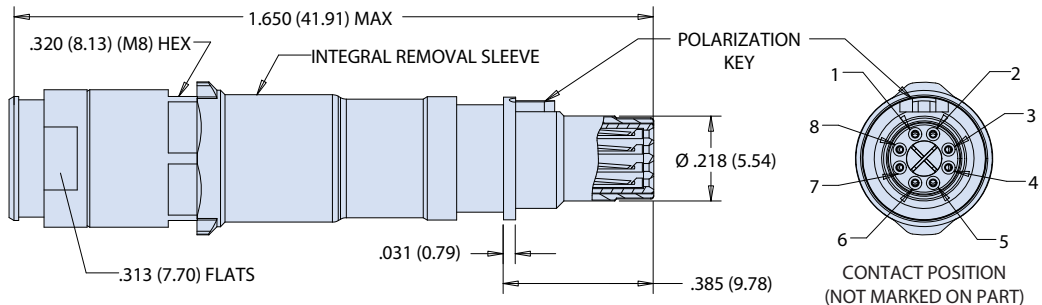
| Type I | |
|--------|---------|
| Color | Socket |
| White | 858-046 |
| Blue | 858-048 |
| Red | 858-050 |



El Ochito[®] Type II, Pin and Socket Contacts for Series 806 and Series 816

Pin Contact

| Type II | |
|---------|---------|
| Color | Pin |
| White | 858-051 |
| Blue | 858-073 |
| Red | 858-067 |



Socket Contact

| Type II | |
|---------|---------|
| Color | Socket |
| White | 858-052 |
| Blue | 858-074 |
| Red | 858-068 |

