

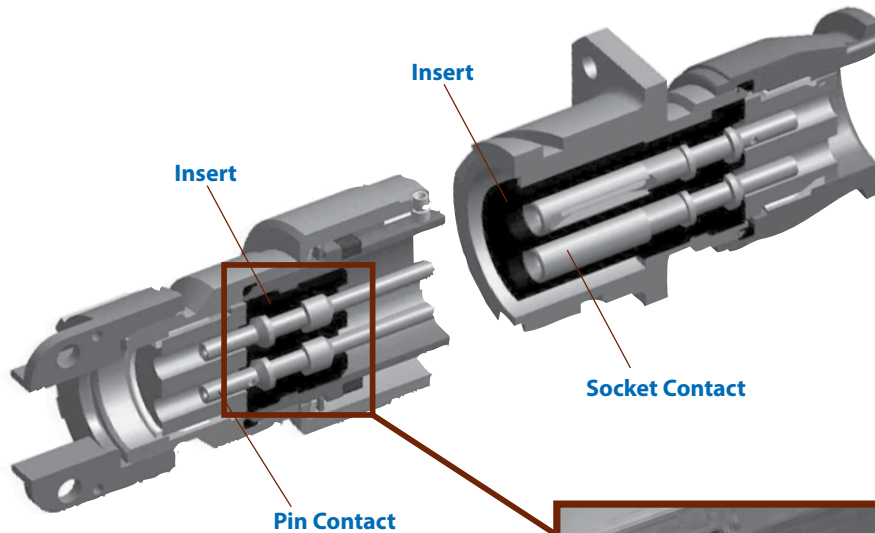
CONNECTOR CONTACTS IT - ITS - ITS-RG - ITZ Connectors



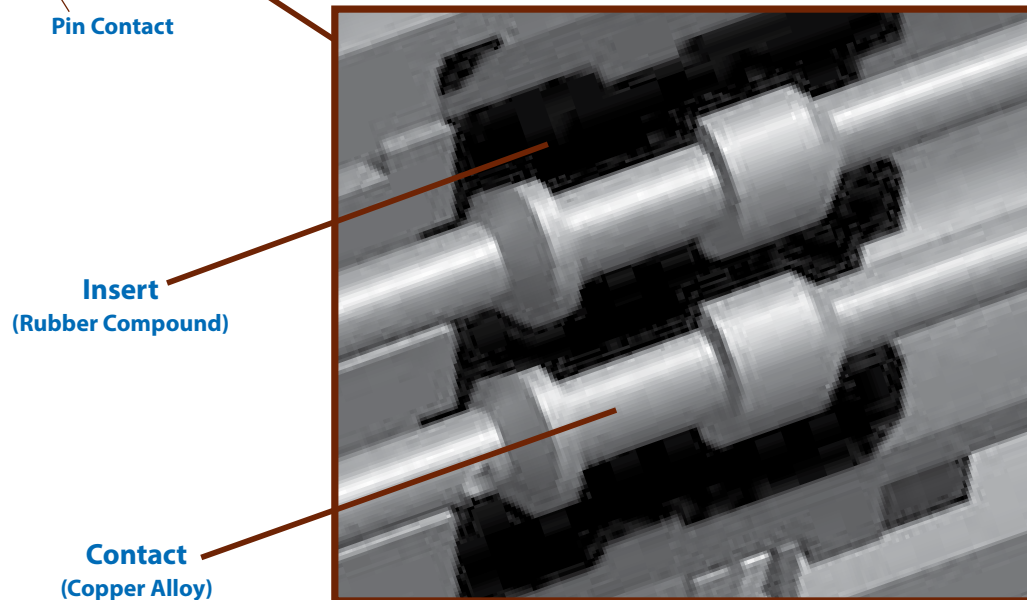
Contact Retention System

A

*ITS Series Example
Wall Mount Receptacle*



*ITS Series Example
Straight Plug*



All our connector series IT, ITS, ITS-RG and ITZ, that are based on MIL-DTL-5015 and VG95234 military standards, have a special insert in synthetic rubber that hold in place the contacts.

In fact the contact is maintained in its position thanks to:

- The mechanical interference between contact and insert surfaces profiling
- The mechanical friction between metal contact and rubber insert materials

Retention force for each contact part number, male or female, is according the above specifications, validated during connector qualification phase and periodically checked.