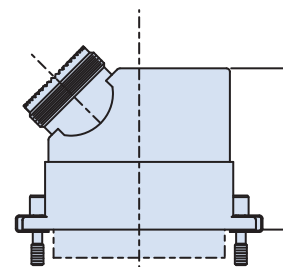
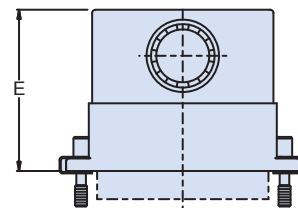
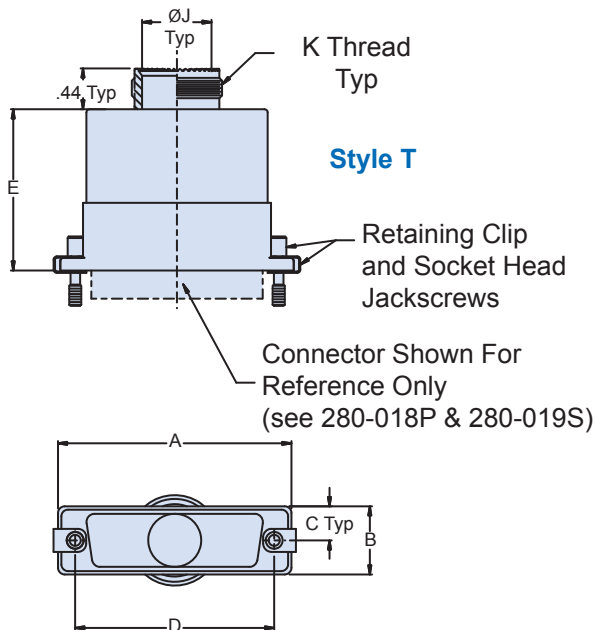
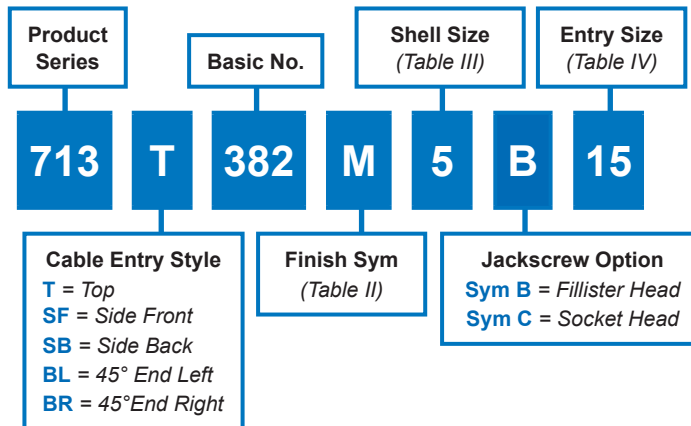


Series 28 HiPer-D connector adapter with MIL-DTL-38999 Series III (H code) accessory thread and interface teeth
How To Order

Material & Finish

- Adapter: See Table II
- Jackscrews, Retaining Clips: Cres/Passivate

Notes

- MIL-DTL-38999, Series III accessory interface (Glenair Code H).
- Entry Size corresponds to MIL-DTL-38999, Series III shell size.

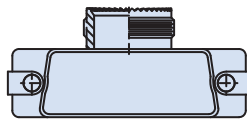
713-382
Series 28 HiPer-D Connector Adapter
 Top, Side or 45° Entry



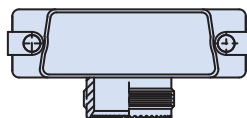
Table III														
Shell Size	Com'l Shell Size Ref	A Max		B Max		C Ref		D ± .005		E Max		F Max		Max Entry
1	E/09	1.393	(35.4)	.624	(15.8)	.312	(7.92)	.984	(25.0)	1.31	(33.3)	1.69	(42.9)	13
2	A/15	1.709	(43.4)	.624	(15.8)	.312	(7.92)	1.312	(33.3)	1.47	(37.3)	1.79	(45.5)	15
3	B/25	2.265	(57.5)	.624	(15.8)	.312	(7.92)	1.852	(47.0)	1.59	(40.4)	1.87	(47.5)	17
4	C/37	2.900	(74.0)	.624	(15.8)	.312	(7.92)	2.500	(63.5)	1.59	(40.4)	1.90	(48.3)	17
5	D/50	2.800	(71.1)	.750	(19.1)	.375	(9.53)	2.406	(61.1)	1.82	(46.2)	2.05	(52.1)	21
6	F/104	2.900	(74.0)	.844	(21.4)	.422	(10.7)	2.500	(63.5)	1.82	(46.2)	2.06	(42.3)	21

Table IV			
Entry Size	Conduit Size (Ref)	Ø J	K Thread Iso Metric
09	06, 09	.281 (7.14)	M12 X 1.0-6g
11	10, 12	.397 (10.1)	M15 X 1.0-6g
13	14, 16	.511 (13.0)	M18 X 1.0-6g
15	20	.636 (16.2)	M22 X 1.0-6g
17	24	.761 (19.3)	M25 X 1.0-6g
19	28	.875 (22.2)	M28 X 1.0-6g
21	32	1.000 (25.4)	M31 X 1.0-6g

Table II			
Sym	Material	Finish Description	
B	Aluminum	Cadmium Olive Drab	
C		Anodize, Black	
M		Electroless Nickel	
MT		Nickel - PTFE	
NF		Cadmium/Olive Drab over Electroless Nickel	
UCR		Zinc Cobalt/Black	
ZN		Zinc Nickel/Olive Drab over Electroless Nickel	
ZNU		Zinc Nickel/Black over Electroless Nickel	
Z1		Stainless Steel	Passivate
ZM			Electroless Nickel
ZMT	Nickel - PTFE		
ZW	Cadmium/Olive Drab over Electroless Nickel		



Style SB



Style SF



Style BR



Style BL

Fillister Head Jackscrew

4-40 UNC-2A

B Option

Socket Head Jackscrew

4-40 UNC-2A

C Option

