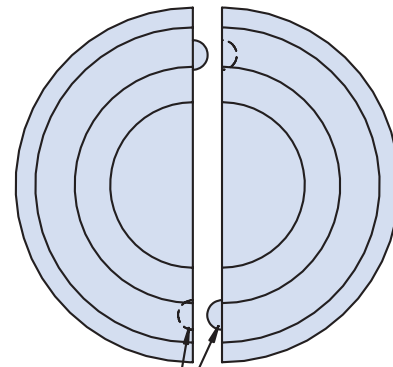
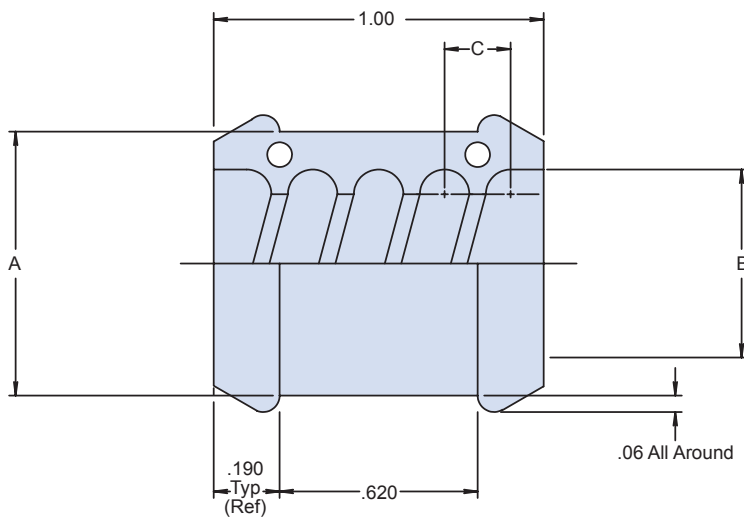
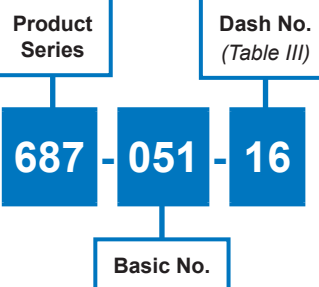


Split bushing for series 74 Helical Conduit



How To Order



Pin/Socket for Snap Assembly

Table III: Dimensions

Dash No.	A Ref	B Min	C Ref	Tube Size Ref
06	.450 (11.4)	.330 (8.42)	.100 (2.54)	3/16
09	.560 (14.2)	.439 (11.2)	.100 (2.54)	9/32
10	.580 (14.7)	.460 (11.7)	.100 (2.54)	5/16
12	.640 (16.3)	.517 (13.1)	.100 (2.54)	3/8
14	.700 (17.8)	.585 (14.9)	.100 (2.54)	7/16
16	.780 (19.8)	.660 (16.8)	.111 (2.82)	1/2
20	.900 (22.9)	.780 (19.8)	.111 (2.82)	5/8
24	1.06 (26.9)	.940 (23.9)	.125 (3.18)	3/4
28	1.20 (30.5)	1.085 (27.6)	.142 (3.61)	7/8
32	1.35 (34.3)	1.225 (31.1)	.142 (3.61)	1
40	1.73 (43.9)	1.640 (41.7)	.166 (4.22)	1 1/4

Material/Finish

Bushing: Kynar per ASTM-D-3222/N.A.

Notes

- Assembly to be tagged and bagged.
- Bushing designed to mate with MIL-T-81914/5-11** Tubing.
- Bushing may be suitable for use with other Slash Sheets at user's discretion.
- Not for use with PEEK convoluted tubing.

G70685

Split Bushing with Pin/Socket Snap Assembly for Protection of Tie-Down Points for Series 72 Annular Conduit



Split bushing for series 72 Annular Conduit

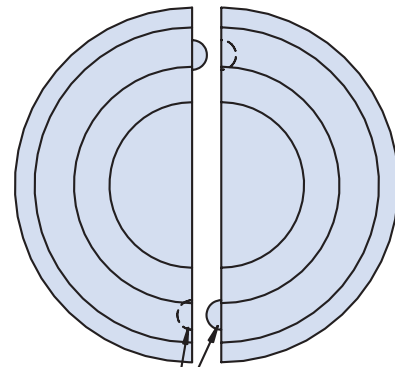
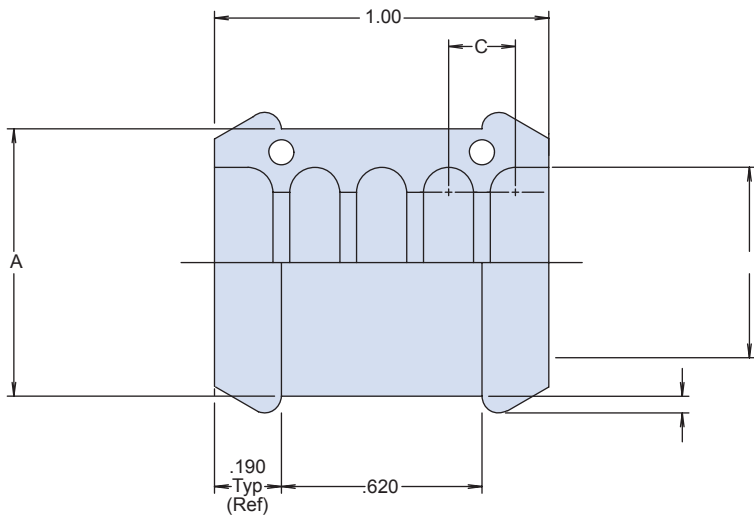
How To Order

Basic No.

Dash No.
(Table III)

G70685

- 16



Pin/Socket for Snap Assembly

Table III: Dimensions			
Dash No.	A Ref	B Min	C Ref
09	0.55 (14.0)	0.425 (10.8)	0.150 (3.8)
12	0.65 (16.5)	0.525 (13.3)	0.155 (3.9)
14	0.73 (18.5)	0.605 (15.4)	0.175 (4.4)
16	0.80 (20.3)	0.670 (17.0)	0.175 (4.4)
20	0.92 (23.4)	0.790 (20.1)	0.175 (4.4)
24	1.08 (27.4)	0.950 (24.1)	0.175 (4.4)
28	1.21 (30.7)	1.085 (27.6)	0.175 (4.4)
32	1.33 (33.8)	1.205 (30.6)	0.175 (4.4)
40	1.57 (39.9)	1.445 (36.7)	0.175 (4.4)
52	1.98 (50.3)	1.855 (47.1)	0.175 (4.4)

Material/Finish

Bushing: Kynar per ASTM-D-3222/N.A.

