

712-387
Legacy MIL-C-24758 (Superseded)
Conduit to Transition or End Fitting Backshell
for Jacketed and/or Shielded Series 75 Metal-Core Conduit

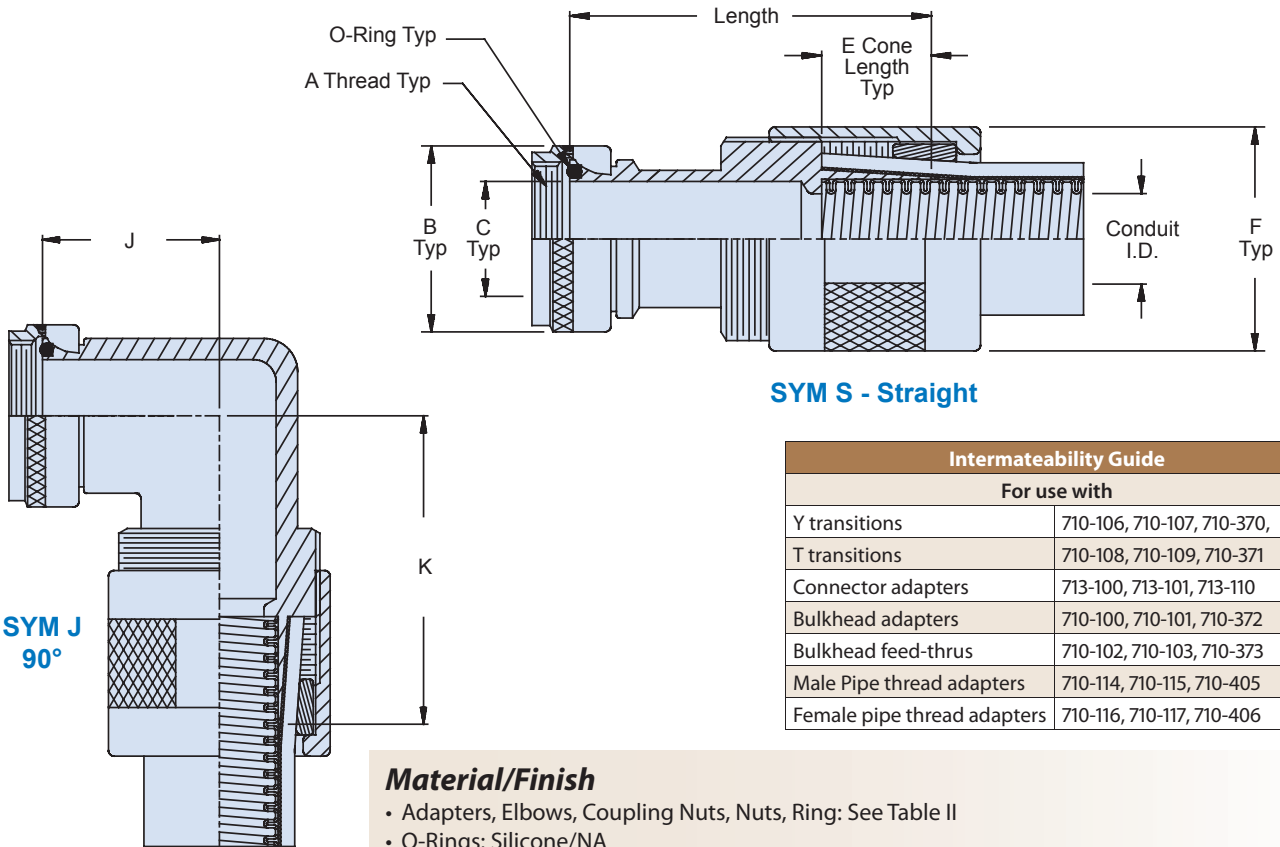
Legacy MIL-C-24758 Conduit-to-transition or end-fitting backshell (Superseded by MIL-PRF-24758A [SH])



How To Order

Product Series	Basic No.	Thread Dash No. <i>(Table III)</i>		Length in 1/2 inch (12.7) increments <i>(Example: 6 = 3.0 inches (76.2))</i> Minimum Length: Dash No. <i>(Table II)</i> 08 to 24 = 1.50 (38.1) Dash No. <i>(Table II)</i> 32 to 96 = 2.00 (63.5)		
712	S	387	M	16	12 - 6	A
Angular Function S = Straight H = 45° J = 90°		Material/Finish <i>(Table II)</i>		Dash No. <i>(Table III and IV)</i>		Conduit Type <i>(Table V)</i>

D



Intermateability Guide	
For use with	
Y transitions	710-106, 710-107, 710-370,
T transitions	710-108, 710-109, 710-371
Connector adapters	713-100, 713-101, 713-110
Bulkhead adapters	710-100, 710-101, 710-372
Bulkhead feed-thrus	710-102, 710-103, 710-373
Male Pipe thread adapters	710-114, 710-115, 710-405
Female pipe thread adapters	710-116, 710-117, 710-406

- Material/Finish**
- Adapters, Elbows, Coupling Nuts, Nuts, Ring: See Table II
 - O-Rings: Silicone/NA

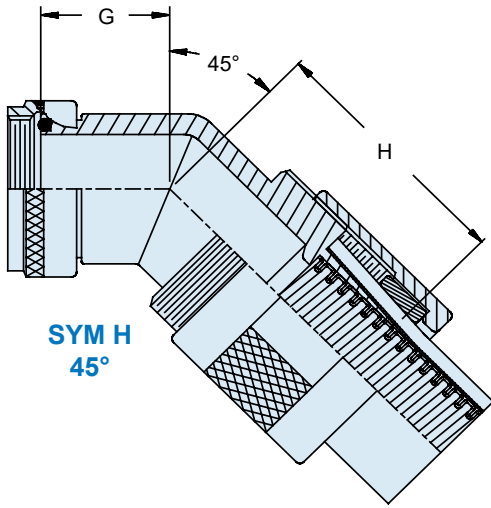
- Notes**
- F dimension is based on type A conduit. Add .125 (3.2) to listed dimensions for each additional shield types B and D

712-387

**Legacy MIL-C-24758 (Superseded)
Conduit to Transition or End Fitting Backshell
for Jacketed and/or Shielded Series 75 Metal-Core Conduit**



Series 75
Metal-Core Conduit



Dash No.	A Thread Class 2B	B Dia Max	C Dia
08	1/2 - 20 UNF	.640 (16.3)	.250 (6.4)
12	5/8 - 24 UNEF	.760 (19.3)	.375 (9.5)
16	3/4 - 20 UNEF	.890 (22.6)	.500 (12.7)
20	7/8 - 20 UNEF	1.024 (26.0)	.625 (15.9)
24	1 - 20 UNEF	1.152 (29.3)	.750 (19.1)
32	1 5/16 - 18 UNEF	1.488 (37.8)	1.000 (25.4)
40	1 1/2 - 18 UNEF	1.676 (42.6)	1.250 (31.8)
48	1 3/4 - 18 UNS	1.960 (49.8)	1.500 (38.1)
56	2 - 18 UNS	2.210 (56.1)	1.750 (44.5)
64	2 1/4 - 16 UN	2.460 (62.5)	2.000 (50.8)
80	2 3/4 - 16 UN	3.000 (76.2)	2.500 (63.5)
96	3 1/4 - 16 UN	3.450 (87.6)	3.000 (76.2)

Dash No.	Conduit I.D.	E	F Dia Max	G Max	H Max	J Max	K Max
08	.250 (6.40)	.75 (19.1)	1.16 (29.5)	.624 (15.8)	1.700 (43.2)	.750 (19.1)	1.810 (46.0)
12	.375 (9.50)	.75 (19.1)	1.34 (34.0)	.654 (16.6)	1.730 (43.9)	.810 (20.6)	1.870 (47.5)
16	.500 (12.7)	.75 (19.1)	1.46 (37.1)	.688 (17.5)	1.750 (44.5)	.870 (22.1)	1.930 (49.0)
20	.625 (15.9)	.75 (19.1)	1.65 (41.9)	.705 (17.9)	1.780 (45.2)	.920 (23.4)	2.000 (50.8)
24	.750 (19.1)	.75 (19.1)	1.84 (46.7)	.732 (18.6)	1.800 (45.7)	.980 (24.9)	2.060 (52.3)
32	1.000 (25.4)	1.00 (25.4)	2.02 (51.3)	.773 (19.6)	2.020 (51.3)	1.080 (27.4)	2.390 (60.7)
40	1.250 (31.8)	1.00 (25.4)	2.34 (59.4)	.823 (20.9)	2.090 (53.1)	1.200 (30.5)	2.540 (64.5)
48	1.500 (38.1)	1.00 (25.4)	2.72 (69.0)	1.041 (26.4)	2.360 (59.9)	1.480 (37.6)	2.870 (72.9)
56	1.750 (44.5)	1.00 (25.4)	2.96 (75.2)	1.062 (27.0)	2.410 (61.2)	1.550 (39.4)	2.960 (75.2)
64	2.000 (50.8)	1.00 (25.4)	3.22 (81.8)	1.092 (27.7)	2.450 (62.2)	1.610 (40.9)	3.070 (78.0)
80	2.500 (63.5)	1.00 (25.4)	3.86 (98.0)	1.190 (30.2)	2.550 (64.8)	1.860 (47.2)	3.320 (84.3)
96	3.000 (76.2)	1.00 (25.4)	4.38 (111.3)	1.250 (31.8)	2.610 (66.3)	1.990 (50.5)	3.450 (87.6)

Symbol	Material	Finish
A	Aluminum Alloy, 6061	Cadmium, Olive Drab, per QQ-P-416 over Electroless Nickel per ASTM B733-90 and MIL-C-26074, 500 Hour Salt Spray
B	Brass, ASTM B16	
C	Corrosion Resistant Steel	Passivate per QQ-P-35
M	Aluminum Alloy, 6061	Electroless Nickel per ASTM B733-90 and MIL-C-26074
NC	Aluminum Alloy, 6061	Zinc Cobalt, Olive Drab
S	Carbon Steel, B1113	Cadmium, Olive Drab, per QQ-P-416, over Electroless Nickel per ASTM B733-90 and MIL-C-26074, 500 Hour Salt Spray

Conduit Type	Part Number	Configuration
A	750-192	Brass conduit with single braided shield and jacket
B	750-194	Brass conduit with double braided shield and jacket
D	750-196	Brass conduit with triple braided shield and jacket
H	750-192	Stainless steel conduit with single braided shield and jacket
J	750-192	Nickel/iron conduit with single braided shield and jacket