

713-356
Guardian System - Composite
Convoluted Tubing to Connector Backshell
for Series 72 Annular Convoluted Tubing

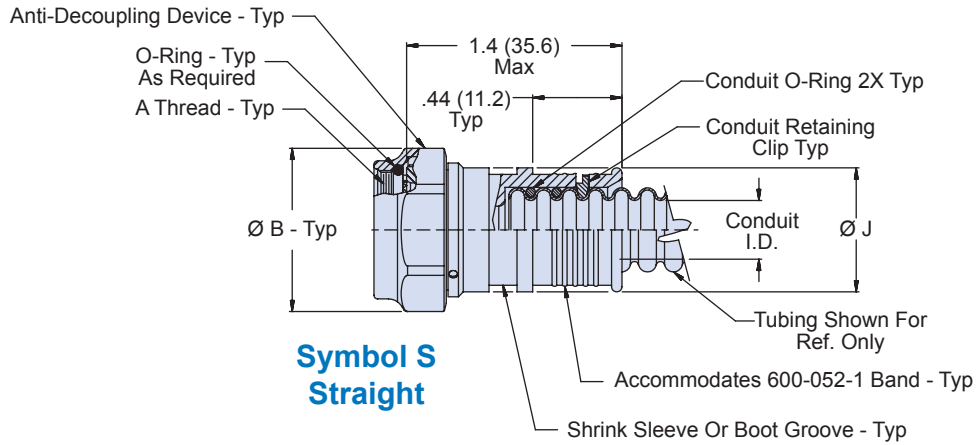
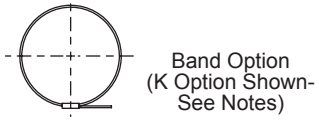
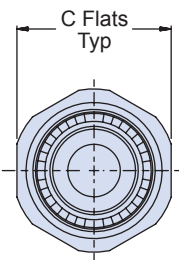
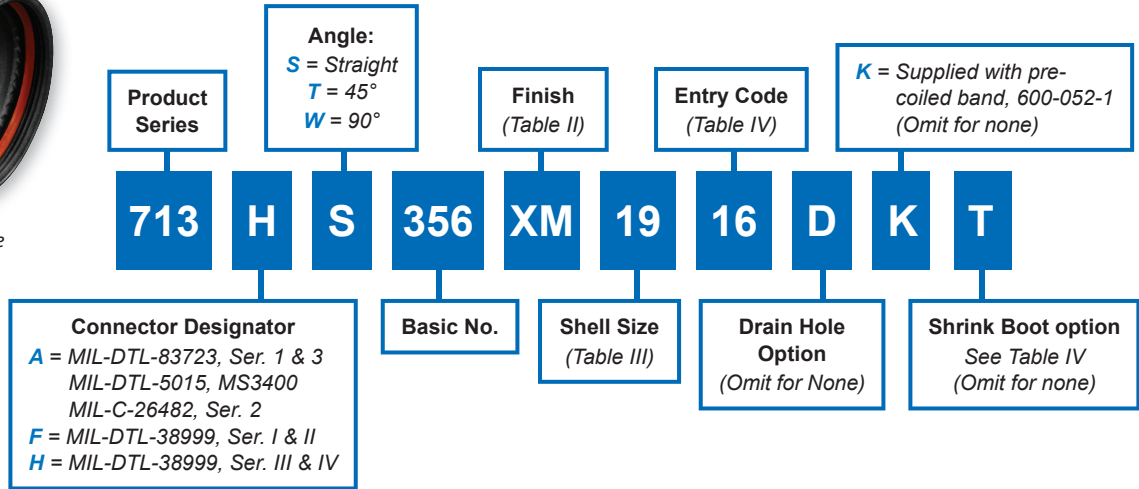
**Composite Guardian System convoluted tubing to connector backshell,
EMI/RFI* Environmental**



*EMI/RFI when conductive finish is specified

B

How To Order



**Symbol S
Straight**

Material and Finish

- Elbow, adapter: High grade engineering thermoplastic/See Table II
- Coupling nut: High grade engineering thermoplastic, black/no plating
- Conduit retaining clip: High grade engineering thermoplastic/no plating
- Anti-decoupling device: Corrosion resistant material/NA
- O-Rings: Silicone/NA

Tools and Assembly notes

- Conduit retaining clip and conduit O-Ring to be supplied unassembled.
- For effective grounding, connector with conductive finish should be used.
- Glenair assembly procedure is recommended for adapter to conduit termination. See Guardian assembly procedure at the end of this section

713-356

**Guardian System - Composite
Convuluted Tubing to Connector Backshell
for Series 72 Annular Convuluted Tubing**



Series 72
Annular Tubing

Table III: Connector Designators/Dimensions

Connector Designator A		Connector Designator F		Connector Designator H		Ø B Max	C Flats	
Shell Size	A Thread Class 2B	Shell Size	A Thread Class 2B	Shell Size	A Thread Iso Metric		Max	Min
08	1/2-20 UNF	08	7/16-28 UNEF	09	M12 X 1.0-6H	.83 (21.1)	.750 (19.1)	.736 (18.7)
10	5/8-24 UNEF	10	9/16-24 UNEF	11	M15 X 1.0-6H	.96 (24.4)	.875 (22.2)	.860 (21.8)
12	3/4-20 UNEF	12	11/16-24 UNEF	13	M18 X 1.0-6H	1.09 (27.7)	1.000 (25.4)	.980 (24.9)
14	7/8-20 UNEF	14	13/16-20 UNEF	15	M22 X 1.0-6H	1.22 (31.0)	1.125 (28.6)	1.100 (27.9)
16	1-20 UNEF	16	15/16-20 UNEF	17	M25 X 1.0-6H	1.35 (34.3)	1.250 (31.8)	1.224 (31.1)
18	1 1/16-18 UNEF	18	1 1/16-18 UNEF	19	M28 X 1.0-6H	1.48 (37.6)	1.375 (34.9)	1.348 (34.2)
20	1 3/16-18 UNEF	20	1 3/16-18 UNEF	21	M31 X 1.0-6H	1.62 (41.1)	1.500 (38.1)	1.469 (37.3)
22	1 5/16-18 UNEF	22	1 5/16-18 UNEF	23	M34 X 1.0-6H	1.75 (44.5)	1.625 (41.3)	1.581 (40.2)
24	1 7/16-18 UNEF	24	1 7/16-18 UNEF	25	M37 X 1.0-6H	1.89 (48.0)	1.750 (44.5)	1.690 (42.9)

Table III (cont.)

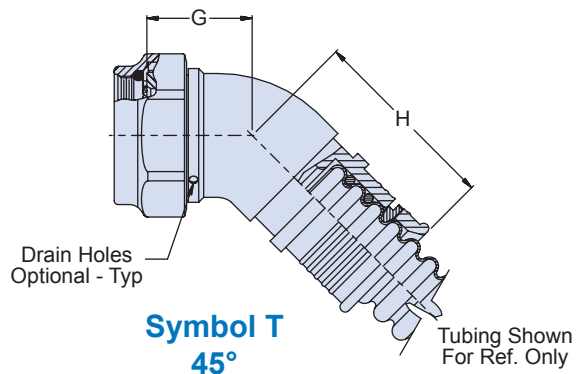
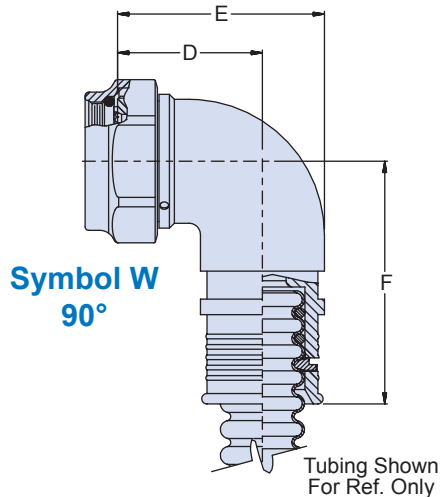
Conn Desig		D	E	F	G	H
A,F	H	±.06 (1.5)	±.09 (2.3)	±.09 (2.3)	±.06 (1.5)	±.09 (2.3)
08	09	.69 (17.5)	.88 (22.4)	1.19 (30.2)	.72 (18.3)	1.00 (25.4)
10	11	.75 (19.1)	1.00 (25.4)	1.25 (31.8)	.75 (19.1)	1.06 (26.9)
12	13	.81 (20.6)	1.13 (28.7)	1.31 (33.3)	.75 (19.1)	1.13 (28.7)
14	15	.88 (22.4)	1.31 (33.3)	1.38 (35.1)	.76 (19.3)	1.16 (29.5)
16	17	.94 (23.9)	1.38 (35.1)	1.44 (36.6)	.78 (19.8)	1.18 (30.0)
18	19	.97 (24.6)	1.44 (36.6)	1.47 (37.3)	.79 (20.1)	1.19 (30.2)
20	21	1.06 (26.9)	1.63 (41.4)	1.56 (39.6)	.82 (20.8)	1.22 (31.0)
22	23	1.13 (28.7)	1.75 (44.5)	1.63 (41.4)	.86 (21.8)	1.26 (32.0)
24	25	1.19 (30.2)	1.88 (47.8)	1.69 (42.9)	.89 (22.6)	1.29 (32.8)

Table IV: Entry Code/Dimensions/Shrink Boot

Entry Code	Ø J Max	Conduit I.D.		Shrink Boot
		Min	Max	
06	.53 (13.5)	.16 (4.1)	.19 (4.8)	770-001S103
09	.63 (16.0)	.24 (6.1)	.28 (7.1)	770-001S103
12	.73 (18.5)	.33 (8.4)	.37 (9.4)	770-001S104
16	.86 (21.8)	.45 (11.4)	.50 (12.7)	770-001S104
20	.98 (24.9)	.57 (14.5)	.62 (15.8)	770-001S105
24	1.15 (29.2)	.69 (17.5)	.75 (19.1)	770-001S106
28	1.27 (32.3)	.81 (20.6)	.87 (22.2)	770-001S107
32	1.40 (35.6)	.93 (23.6)	1.00 (25.4)	770-001S107
36	1.53 (38.9)	1.07 (27.2)	1.13 (28.7)	770-001S107
40	1.62 (41.1)	1.18 (30.0)	1.25 (31.8)	770-001S107
48	1.98 (50.3)	1.45 (36.8)	1.50 (38.1)	770-001S108
52	2.07 (52.6)	1.58 (40.1)	1.63 (41.4)	770-001S108
56	2.14 (54.4)	1.70 (43.2)	1.75 (44.4)	770-001S108

Table II: Finish

Symbol	Finish Description
XM	Electroless Nickel
XW	Cad/Olive Drab over Electroless Nickel
XB	Black color/Unplated
XMT	Nickel-PTFE



B