

**Large  
Series 140-103  
CostSaver Composite  
Junction Box**

**TABLE II: MATERIAL COLOR & FINISH OPTIONS**

Sym	Material & Color	Finish Options
B	Thermoplastic / Black	XO and XMS
G	Thermoplastic / Grey	XO and XMS
-	Thermoplastic / NA	XM, XW and XZN

**TABLE I: FINISHES**

Symbol	Finish Description
XO	No Plating (Non-Conductive Finish)
XMS	Internal Surfaces - Electroless Nickel External Surfaces - See Table II
XM	All Surfaces – Electroless Nickel
XW	All Surfaces – Cadmium Olive Drab over Electroless Nickel
XZN	All Surfaces – Zinc Nickel/Black
XMT	2000 Hour Corrosion Resistant Ni-PTFE, Nickel-Fluorocarbon Polymer. <i>1000 Hour Grey™</i>

**TABLE III: KEY DIMENSIONS**

Box Series Number	External Dimensions	Internal Dimensions (with Aluminum Mounting Plate Installed, if applicable)
<b>Large 140-103</b>	9.10 (231) x 9.10 (231) x 4.50 (114)	7.87 (200) x 7.87 (200) x 3.78 (96)

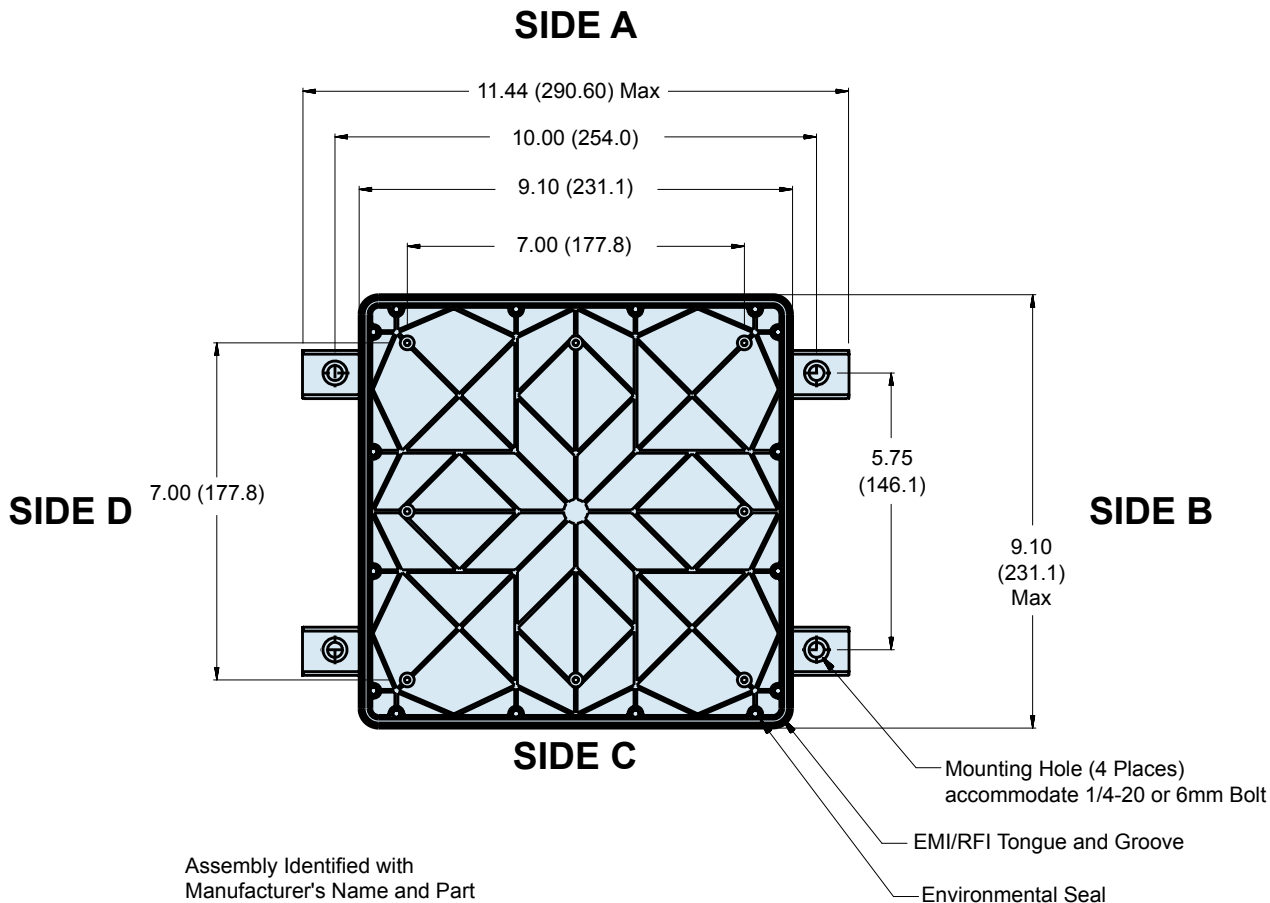
**NOTES**

- Use Dash Number 0000 for Basic Box with No Additional Options Beyond Your Specified Finish. 0000 Basic Box Includes #6-32 UNC Fasteners.
- Box Series Numbers are for reference only. Please complete the worksheet on E-14 and call the factory for part number assignment for your specific box configuration.
- Metric dimensions (mm) are in parenthesis and for reference only

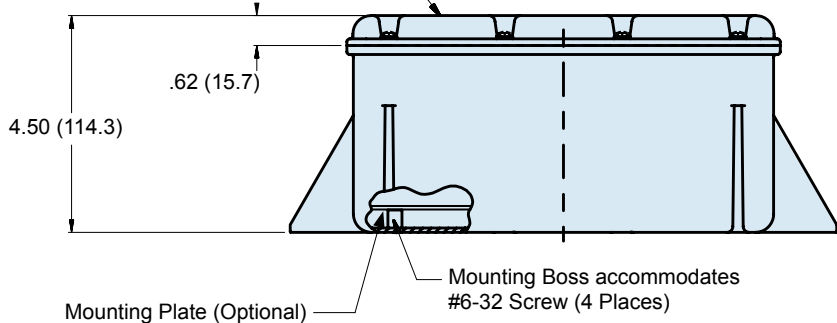
Series 140-103  
Large Junction Box



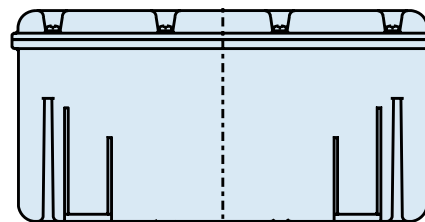
Composite  
Junction  
Boxes



Assembly Identified with  
Manufacturer's Name and Part  
Number



**SIDES A & C**



**SIDES B & D**

