

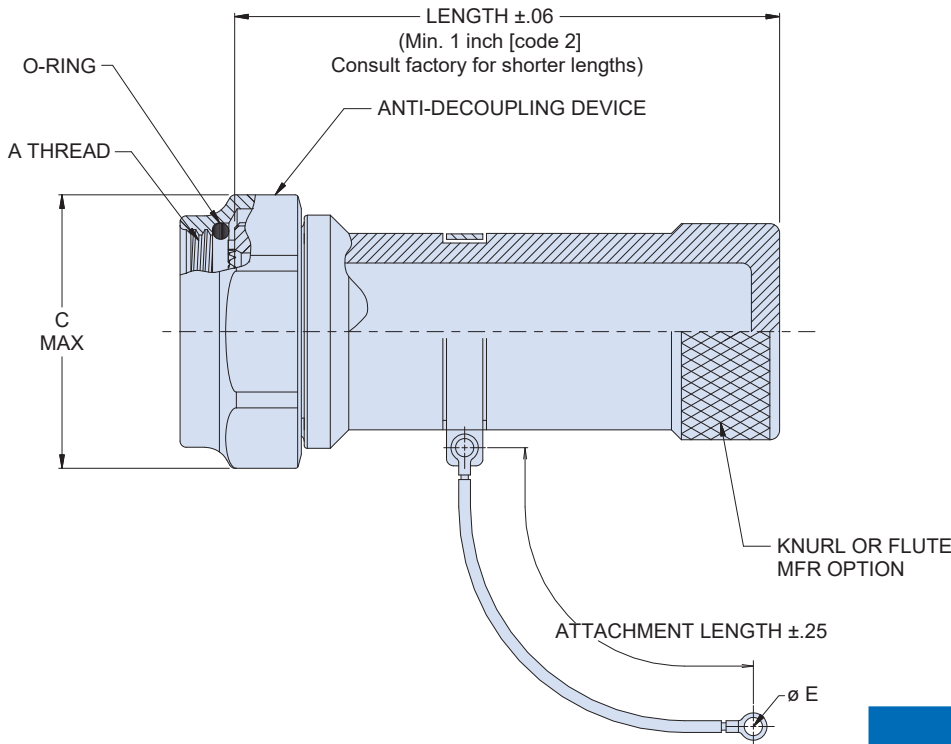
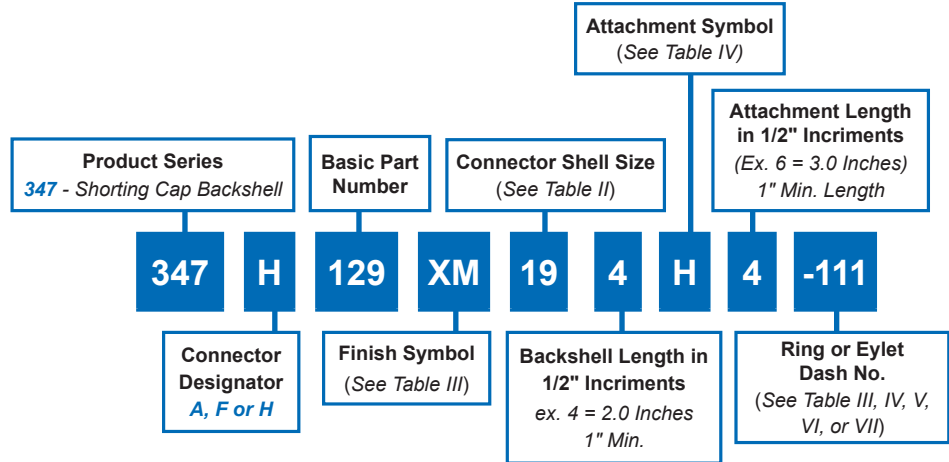


347-129 Composite Shorting Cap Backshell with Lanyard Attachment and Self-Locking Rotatable Coupling

A

CONNECTOR DESIGNATOR:	
A	MIL-DTL-5015, -26482 Series II, and -83723 Series I and III
F	MIL-DTL-38999 Series I, II
H	MIL-DTL-38999 Series III and IV
SELF-LOCKING	
ROTATABLE COUPLING	

Note: See Table I in Intro for Front-End Dimensional Details



A, F	H
08	09
10	11
12	13
14	15
16	17
18	19
20	21
22	23
24	25

Symbol	Finish Description
XM	2000 Hour Corrosion-Resistant Electroless Nickel
XMT	2000 Hour Corrosion Resistant Ni-PTFE, Nickel-Fluorocarbon Polymer. 1000 Hour Grey™
XW	2000 Hour Corrosion Resistant Cadmium Olive Drab Over Electroless Nickel

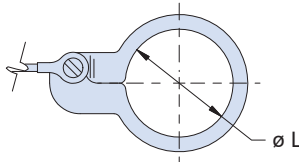
1.	Coupling nut supplied unplated.
2.	See Table I in Intro for front-end dimensional details.

347-129 Composite Shorting Cap Backshell with Lanyard Attachment and Self-Locking Rotatable Coupling

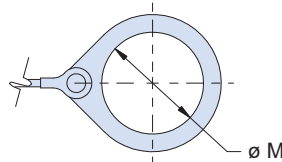


Symbol	Attachment
C	No Attachment, Body Strap Only
D	Bead Chain, CRES/Passivate with Terminal
F	Wire Rope, Nylon Jacket with Terminal
G	Nylon Rope with Terminal
H	Wire Rope, Teflon Jacket with Terminal
N	Attachment Omitted
R	Wire Rope, PVC Jacket with Terminal
S	#8 Sash Chain, CRES/Passivate
U	Wire Rope, Polyurethane Jacket with Terminal

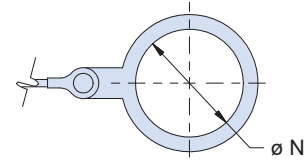
Dash No.	E Diameter
01	.140 (3.6)
02	.182 (4.6)
03	.191 (4.9)
04	.197 (5.0)
05	.167 (4.2)
06	.125 (3.2)
07	.218 (5.5)
09	.156 (4.0)



SPLIT RING



SOLID RING



SOLID RING

Dash No.	L Dia ±.015 (0.4)
50	.425 (10.8)
52	.485 (12.3)
54	.640 (16.3)
56	.750 (19.1)
58	.890 (22.6)
60	1.015 (25.8)
62	1.095 (27.8)
64	1.130 (28.7)
66	1.250 (31.8)
68	1.350 (34.3)
70	1.390 (35.3)
72	1.485 (37.7)
74	1.625 (41.3)
76	1.750 (44.5)
78	1.875 (47.6)
80	1.980 (50.3)
82	2.060 (52.3)
84	2.235 (56.8)
86	2.310 (58.7)
88	2.475 (62.9)
90	2.655 (67.4)
92	2.810 (71.4)
94	3.045 (77.3)

Dash No.	M Dia ±.015 (0.4)
08	.468 (11.9)
10	.593 (15.1)
12	.718 (18.2)
13	.765 (19.4)
14	.844 (21.4)
15	.890 (22.6)
16	.968 (24.6)
17	1.015 (25.8)
18	1.093 (27.8)
19	1.140 (29.0)
20	1.203 (30.6)
21	1.265 (32.1)
22	1.343 (34.1)
23	1.453 (36.9)
24	1.484 (37.7)
25	1.577 (40.1)
27	1.640 (41.7)
28	1.687 (42.8)
29	1.765 (44.8)
30	1.890 (48.0)
31	1.953 (49.6)
32	1.968 (50.0)
33	2.077 (52.8)
35	2.140 (54.4)
36	2.187 (55.5)
40	2.406 (61.1)
44	2.656 (67.5)
48	3.031 (77.0)

Dash No.	N Dia ±.015 (0.4)
100	.391 (9.9)
101	.516 (13.1)
102	.583 (14.8)
103	.641 (16.3)
104	.708 (18.0)
105	.766 (19.5)
205	.788 (20.0)
106	.896 (22.2)
206	.907 (23.0)
107	1.016 (25.8)
207	1.025 (26.0)
108	1.141 (29.0)
208	1.203 (30.6)
109	1.266 (32.2)
110	1.391 (35.3)
111	1.521 (38.6)
211	1.536 (39.0)
112	1.641 (41.7)
113	1.766 (44.9)
114	1.891 (48.0)
115	2.078 (52.8)
116	2.406 (61.1)
117	2.510 (63.8)