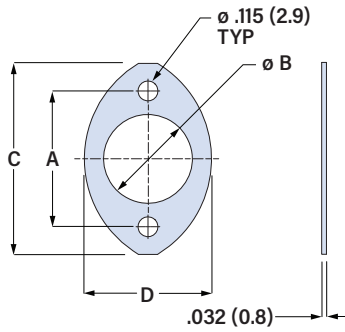
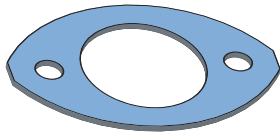


Series 93 Gaskets

For Series 803 Mighty Mouse and Series 806 Mil-Aero Connectors

809-108, 930-017 Flange Gaskets

809-108 FLANGE GASKET FOR SERIES 803 MIGHTY MOUSE BAYONET RECEPTACLES

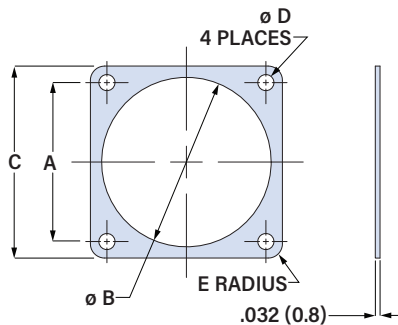


Series 803 Shell Size	Part No. * = Material Code	A ±.015 (0.4) in mm	øB ±.015 (0.4) in mm	C Max in mm	øD ±.015 (0.4) in mm
5	809-108*31	.513 13.0	.345 8.8	.710 18.0	.460 11.7
6	809-108*32	.598 15.2	.405 10.3	.795 20.2	.522 13.3
7	809-108*33	.708 18.0	.475 12.1	.900 22.9	.590 15.0
8	809-108*34	.964 24.5	.545 13.8	1.160 29.5	.670 17.0
9	809-108*35	1.017 25.8	.605 15.4	1.215 30.9	.721 18.3
10	809-108*36	1.101 28.0	.682 17.3	1.295 32.9	.795 20.2
12	809-108*37	1.204 30.6	.757 19.2	1.400 35.6	.874 22.2
14	809-108*38	1.280 32.5	.910 23.1	1.555 39.5	1.050 26.7
15	809-108*39	1.370 34.8	.970 24.6	1.640 41.7	1.150 29.2

TABLE 1 MATERIAL CODE

EMI Gaskets		Non-Conductive Gaskets	
C	Silicone Filled With Silver-Plated Aluminum MIL-G-83528 Type B, CHO-SEAL 1285, 100 dB shielding @ 10GHz, good corrosion resistance, -55 to +200 °C, blue	F	Fluorosilicone
X	Fluorosilicone Filled With Silver-Plated Aluminum MIL-G-83528 Type D, CHO-SEAL 1298, 90 dB shielding @ 10GHz, good corrosion resistance, resists jet fuels and solvents, -55 to +200 °C, tan	E	EPDM
		V	Viton

930-017 FLANGE GASKET FOR SERIES 806 MIL-AERO RECEPTACLES



Series 806 Shell Size	Part No. * = Material Code	A ±.015 (0.4) in mm	øB ±.015 (0.4) in mm	C ±.015 (0.4) in mm	øD ±.015 (0.4) in mm	E Rad in mm
8	930-017*-1	.531 13.5	.515 13.1	.815 20.7	.131 3.3	.130 3.3
9	930-017*-2	.594 15.1	.582 14.8	.878 22.3	.131 3.3	.130 3.3
10	930-017*-3	.625 15.9	.650 16.5	.906 23.0	.131 3.3	.130 3.3
11	930-017*-4	.670 17.0	.717 18.2	.953 24.2	.131 3.3	.130 3.3
12	930-017*-5	.765 19.4	.773 19.6	1.031 26.2	.131 3.3	.130 3.3
14	930-017*-6	.859 21.8	.895 22.7	1.126 28.6	.131 3.3	.090 2.3
16	930-017*-7	.938 23.8	1.020 25.9	1.220 31.0	.131 3.3	.130 3.3
18	930-017*-8	1.016 25.8	1.130 28.7	1.311 33.3	.131 3.3	.090 2.3
20	930-017*-9	1.109 28.2	1.280 32.5	1.437 36.5	.157 4.0	.130 3.3
22	930-017*-10	1.203 30.6	1.405 35.7	1.563 39.7	.157 4.0	.130 3.3
24	930-017*-11	1.312 33.3	1.530 38.9	1.689 42.9	.157 4.0	.180 4.6

TABLE 1 MATERIAL CODE

EMI Gaskets		Non-Conductive Gaskets	
C	Silicone Filled With Silver-Plated Aluminum MIL-G-83528 Type B, CHO-SEAL 1285, 100 dB shielding @ 10GHz, good corrosion resistance, -55 to +200 °C, blue	F	Fluorosilicone
X	Fluorosilicone Filled With Silver-Plated Aluminum MIL-G-83528 Type D, CHO-SEAL 1298, 90 dB shielding @ 10GHz, good corrosion resistance, resists jet fuels and solvents, -55 to +200 °C, tan	E	EPDM
		V	Viton