

Swing-Arm® Clamps

for Series 80 Mighty Mouse Connectors

871M004 Swing-Arm Flex Clamp, EMI Banding Adapter, Composite

Self-Locking



Shielded, self-locking, adjustable arms. 871M004 Swing-Arm Flex Clamp fits Glenair Series 80 Mighty Mouse connectors. Adjustable arms pivot to 0°, 45° or 90° positions. Includes EMI banding adapter with optional "T" slots for pigtailed individual shields. Terminate shield braid to adapter with optional Band-Master ATS® pre-coiled banding strap. Coupling nut has anti-decoupling mechanism for audible detented coupling and prevents backoff under high vibration.

PART NUMBER

871M004 M 12 S K

Adapter Code M

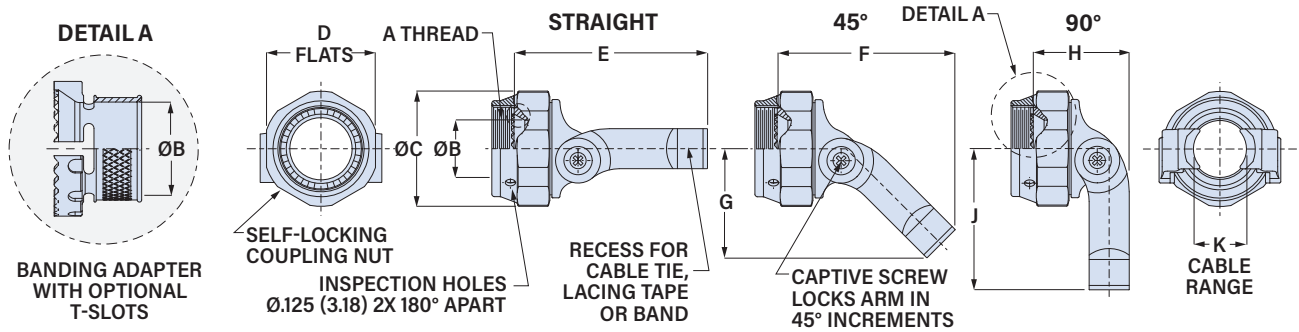
This accessory fits Series 80 Mighty Mouse Connectors

FIGURE 1
FINISH CODES NFS, BNS

FIGURE 2
BANDING ADAPTER SLOTS

Route pigtail shield braids into optional "T" slots in banding adapter.

Base P/N	871M004
Banding Adapter Material/Finish	<ul style="list-style-type: none"> M Alum/Electroless Nickel NF Alum/Olive Drab Cadmium NFS Alum/O.D. Cadmium, selective (fig. 1) MT Alum/Nickel-PTFE TZ Alum/Tin-Zinc BM Brass/Electroless Nickel BN Brass/Olive Drab Cadmium BNS Brass/O.D. Cadmium, selective (fig. 1) BMT Brass/Nickel-PTFE
Shell Size	07 08 09 10 12 13 14 16 17 <i>See table below for size code</i>
Banding Adapter Slots	<ul style="list-style-type: none"> <i>Omit if not required. See Figure 2</i> S "T" Slots in Banding Adapter for Shield Pigtails
Band	<ul style="list-style-type: none"> <i>Omit if not required.</i> K Pre-Coiled Micro Band included With Clamp J Pre-Coiled Slim Micro Band included With Clamp



Size Code	Shell Size Series		A Thread UNEF-2B	øB Min		øC Max		D Flats		E Max		F Max		G Max		H Max		J Max		K Ref.			
	800, 801, 803, 804	Series 805		in	mm	in	mm	in	mm	in	mm	in	mm	in	mm	in	mm	in	mm	Max	Min		
07	7	9	0.4375-28	.178	4.5	.812	20.6	.750	19.1	1.79	45.5	1.56	39.6	.87	22.1	.93	23.6	1.12	28.4	.393	10.0	.098	2.5
08	8	10	0.500-28	.178	4.5	.812	20.6	.750	19.1	1.79	45.5	1.56	39.6	.87	22.1	.93	23.6	1.12	28.4	.393	10.0	.098	2.5
09	9	11	0.5625-24	.305	7.7	.938	23.8	.875	22.2	1.80	45.7	1.57	39.9	.89	22.6	.93	23.6	1.15	29.2	.455	11.6	.121	3.1
10	10	12	0.625-24	.305	7.7	.938	23.8	.875	22.2	1.80	45.7	1.57	39.9	.89	22.6	.93	23.6	1.15	29.2	.455	11.6	.121	3.1
12	11, 12, 13	13	0.6875-24	.404	10.3	1.125	28.6	1.000	25.4	2.08	52.8	1.88	47.8	1.10	27.9	1.05	26.7	1.44	36.6	.598	15.2	.157	4.0
13	N/A	15	0.750-20	.404	10.3	1.125	28.6	1.000	25.4	2.08	52.8	1.88	47.8	1.10	27.9	1.05	26.7	1.44	36.6	.598	15.2	.157	4.0
14	14, 15, 16, 17	18, 19	0.9375-20	.658	16.7	1.375	34.9	1.250	31.8	2.29	58.2	2.13	54.1	1.28	32.5	1.21	30.7	1.68	42.7	.839	21.3	.246	6.2
16	19	21	1.0625-18	.748	19.0	1.500	38.1	1.375	34.9	2.28	57.9	2.13	54.1	1.35	34.3	1.21	30.7	1.74	44.2	.934	23.7	.277	7.0
17	21	23	1.1875-18	.877	22.3	1.625	41.3	1.500	38.1	2.75	69.9	2.54	64.5	1.63	41.4	1.37	34.8	2.12	53.8	1.068	27.1	.313	8.0



Swing-Arm® Clamps

for Series 80 Mighty Mouse Connectors

871M004 Swing-Arm Flex Clamp, EMI Banding Adapter, Composite

MATERIAL/FINISH

- Coupling nut, body, arms: thermoplastic, black
- Screws, washers, inserts: stainless steel/ passivated
- Anti-decoupling springs: thermoplastic
- Interface ring: aluminum alloy or brass
- Band (optional): stainless steel/ passivated

BAND INFORMATION

Terminate cable braid to band adapter with optional pre-coiled banding strap. Glenair's Band-Master ATS® banding system provides quick, easy, cost-effective and highly reliable termination. Band is passivated stainless steel.



Size Code	Pre-Coiled Micro Band Part No.	Pre-Coiled Slim Micro Band Part No.	Length		Max Diameter	
			in	mm	in	mm
07 - 12	601-061	601-601	8.125	206	.88	22.4
13 - 17	601-065	601-603	14.25	362	1.88	47.8