

Swing-Arm® Clamps

for Series 80 Mighty Mouse Connectors

870M001 Swing-Arm Saddle Clamp

Self-Locking



Self-locking, adjustable arms. 870M001 Swing-Arm saddle clamp fits Glenair Series 80 Mighty Mouse connectors. Use with unshielded wire bundles. Adjustable arms pivot to 0°, 45° or 90° positions. Arms have self-locking threaded inserts to withstand high vibration. Full radius saddles have self-locking clinch nuts. Available in two clamp sizes: standard clamp fits most wire bundles, large clamp has increased clearance for oversize wire bundles. Coupling nut has anti-decoupling mechanism for audible detented coupling and prevents backoff under high vibration. Available in composite, aluminum or stainless steel.

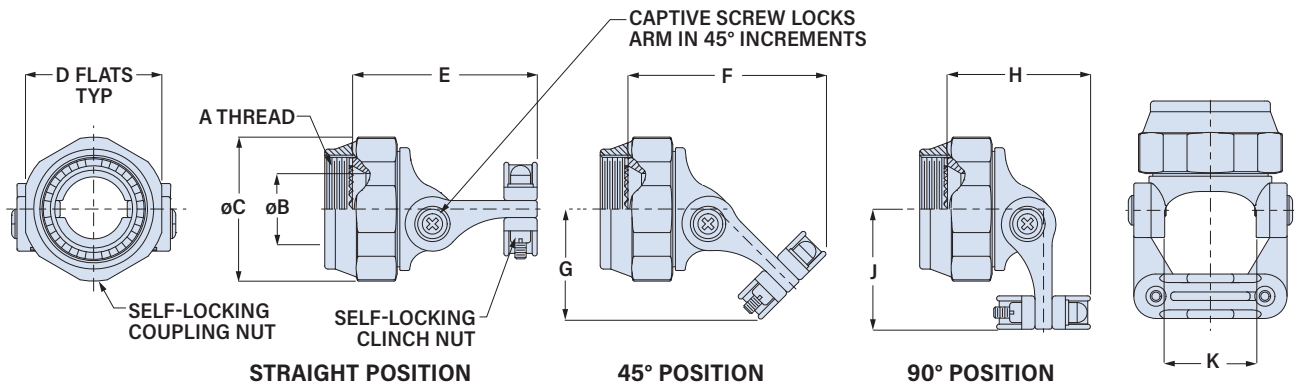
Adapter Code M
This accessory fits Series 80 Mighty Mouse Connectors

ALUMINUM AND SST VERSIONS

Aluminum and stainless steel versions have round knurled coupling nuts.

PART NUMBER

| | | | | |
|------------------------|-----------------------------------------------------------|-----------|-----------|----------|
| | 870M001 | XB | 22 | B |
| Base P/N | 870M001 | | | |
| Material/Finish | <i>Composite</i> | | | |
| | XB No Finish (Black) | | | |
| | <i>Aluminum</i> | | | |
| | M Electroless Nickel | | | |
| | NF Olive Drab Cadmium | | | |
| | MT Nickel-PTFR | | | |
| Material/Finish | TZ Tin-Zinc | | | |
| | ZR Black Zinc-Nickel | | | |
| | <i>Stainless Steel</i> | | | |
| ZI Passivated | | | | |
| Size Code | 07 09 12 14 16 17 See table below for size code | | | |
| Clamp Size | A Standard Clamp | | | |
| | B Large Clamp | | | |



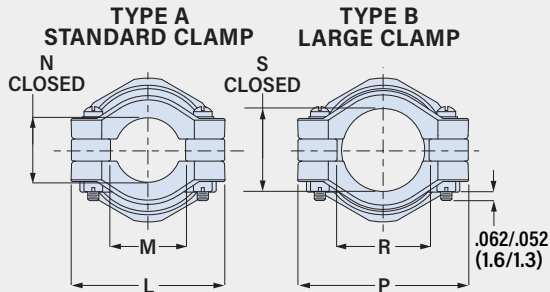
| Size Code | Shell Size Series | | A Thread UNEF-2B | øB Min | | øC Max | | D Flats Max | | E Max | | F Max | | G Max | | H Max | | J Max | | K Ref. | |
|-----------|--------------------|------------|------------------|--------|------|--------|------|-------------|------|-------|------|-------|------|-------|------|-------|------|-------|------|--------|------|
| | 800, 801, 803, 804 | Series 805 | | in | mm | in | mm | in | mm | in | mm | in | mm | in | mm | in | mm | in | mm | in | mm |
| 07 | 7 | 9 | 0.4375-28 | .264 | 6.7 | .812 | 20.6 | .750 | 19.1 | 1.43 | 36.3 | 1.35 | 34.3 | .78 | 19.8 | .91 | 23.1 | .87 | 22.1 | .393 | 10.0 |
| 09 | 9 | 11 | 0.5625-24 | .390 | 9.9 | .938 | 23.8 | .875 | 22.2 | 1.50 | 38.1 | 1.45 | 36.8 | .87 | 22.1 | .94 | 23.9 | .96 | 24.4 | .455 | 11.6 |
| 12 | 11, 12, 13 | 13 | 0.6875-24 | .504 | 12.8 | 1.125 | 28.6 | 1.000 | 25.4 | 1.56 | 39.6 | 1.60 | 40.6 | .97 | 24.6 | 1.12 | 28.4 | 1.03 | 26.2 | .598 | 15.2 |
| 14 | 14, 15, 16, 17 | 18, 19 | 0.9375-20 | .756 | 19.2 | 1.375 | 34.9 | 1.250 | 31.8 | 1.66 | 42.2 | 1.78 | 45.2 | 1.09 | 27.7 | 1.29 | 32.8 | 1.16 | 29.5 | .839 | 21.3 |
| 16 | 19 | 21 | 1.0625-18 | .843 | 21.4 | 1.500 | 38.1 | 1.375 | 34.9 | 1.66 | 42.2 | 1.86 | 47.2 | 1.14 | 29.0 | 1.39 | 35.3 | 1.22 | 31.0 | .934 | 23.7 |
| 17 | 21 | 23 | 1.1875-18 | .969 | 24.6 | 1.625 | 41.3 | 1.500 | 38.1 | 1.81 | 46.0 | 2.02 | 51.3 | 1.24 | 31.5 | 1.50 | 38.1 | 1.29 | 32.8 | 1.068 | 27.1 |

Swing-Arm® Clamps

for Series 80 Mighty Mouse Connectors

870M001 Swing-Arm Saddle Clamp

CLAMP DIMENSIONS



| Standard Clamp | | | | | | | Large Clamp | | | | | | |
|----------------|----------|----------|----------|----------|--------------|------|-------------|----------|----------|----------|----------|--------------|------|
| Size Code | L Max in | L Max mm | M Min in | M Min mm | N Ref. in mm | | Size Code | P Max in | P Max mm | R Min in | R Min mm | S Ref. in mm | |
| 07 | .98 | 24.9 | .22 | 5.6 | .265 | 6.7 | 07 | .98 | 24.9 | .33 | 8.4 | .356 | 9.0 |
| 09 | 1.05 | 26.7 | .27 | 6.9 | .310 | 7.9 | 09 | 1.20 | 30.5 | .45 | 11.4 | .422 | 10.7 |
| 12 | 1.20 | 30.5 | .35 | 8.9 | .422 | 10.7 | 12 | 1.45 | 36.8 | .62 | 15.7 | .637 | 16.2 |
| 14 | 1.44 | 36.6 | .55 | 14.0 | .590 | 15.0 | 14 | 1.60 | 40.6 | .80 | 20.3 | .759 | 19.3 |
| 16 | 1.56 | 39.6 | .62 | 15.7 | .660 | 16.8 | 16 | 1.73 | 43.9 | .90 | 22.9 | .841 | 21.4 |
| 17 | 1.69 | 42.9 | .70 | 17.8 | .744 | 18.9 | 17 | 1.95 | 49.5 | 1.05 | 26.7 | .996 | 25.3 |

MATERIAL/FINISH

Composite (Code XB)

- Coupling nut, body, arms, saddles: polyetherimide (PEI), unplated
- Screws, washers, inserts: stainless steel/passivated
- Anti-decoupling springs: thermoplastic
- Clinch Nuts: stainless steel, silver plated

Aluminum (Codes M, MT, NF, TZ, ZR)

- Coupling nut, body, arms, saddles: aluminum
- Screws, washers, inserts: stainless steel/passivated
- Anti-decoupling springs: thermoplastic
- Clinch Nuts: Codes M, MT, TZ and ZR: stainless steel, silver plated.
- Code NF: stainless steel/ olive drab cadmium

Stainless Steel (Code Z1)

- Coupling nut, body, arms, saddles: SST
- Screws, washers, inserts: stainless steel/passivated
- Anti-decoupling springs: stainless steel
- Clinch Nuts: stainless steel, silver plated