

Swing-Arm® Clamps

for AS50151 Crimp, M26482 Series II, M83723 Series III, AS95234

870A004 Swing-Arm Saddle Clamp, EMI Banding Adapter, Composite

Self-Locking



Shielded, self-locking, adjustable arms. 870A004 Swing-Arm saddle clamp fits AS50151 crimp, AS95234, MIL-DTL-26482 Series II, and MIL-DTL-83723 Series III connectors. Adjustable arms pivot to 0°, 45° or 90° positions. Banding adapter has optional "T" slots for pigtailed individual shields. Terminate shield braid to adapter with optional Band-Master ATS® pre-coiled banding strap. Full radius saddles with self-locking clinch nuts. Available in two clamp sizes: standard clamp fits most wire bundles, large clamp has increased clearance for oversize wire bundles. Coupling nut has anti-decoupling mechanism for audible detented coupling and prevents backoff under high vibration.

Adapter Code A

AS50151 crimp, AS95234, MIL-DTL-26482 Ser. II, MIL-DTL-83723 Ser. III

FIGURE 1
FINISH CODES **NFS, BNS**

OLIVE DRAB CADMIUM PLATING

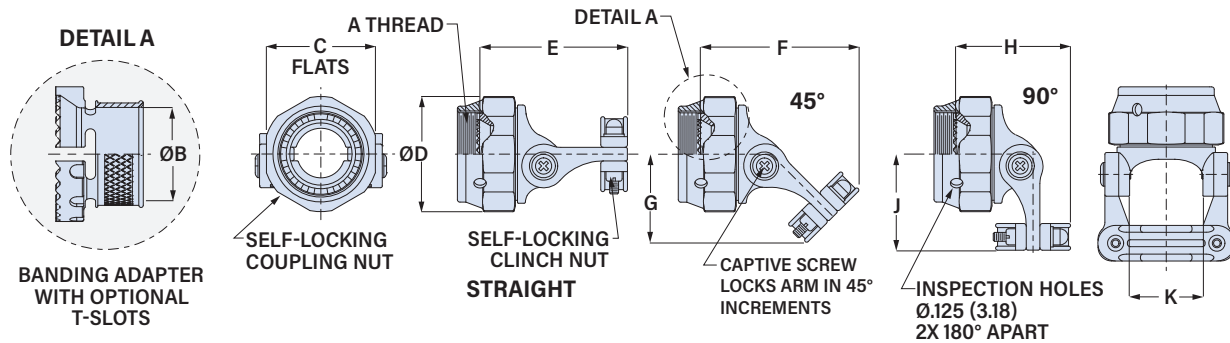
NICKEL PLATING IN BRAID TERMINATION AREA

FIGURE 2
BANDING ADAPTER SLOTS

Route pigtail shield braids into optional "T" slots in banding adapter.

PART NUMBER

	870A004	M	22	A	S	K
Base P/N	870A004					
Banding Adapter Material/Finish	<p>M Alum/Electroless Nickel</p> <p>NF Alum/Olive Drab Cadmium</p> <p>NFS Alum/O.D. Cadmium, selective (fig. 1)</p> <p>MT Alum/Nickel-PTFE</p> <p>TZ Alum/Tin-Zinc</p> <p>BM Brass/Electroless Nickel</p> <p>BN Brass/Olive Drab Cadmium</p> <p>BNS Brass/O.D. Cadmium, selective (fig. 1)</p> <p>BMT Brass/Nickel-PTFE</p>					
Shell Size	08 10 12 14 16 18 20 22 24					
Clamp SizeW	<p>A Standard Clamp</p> <p>B Large Clamp</p>					
Banding Adapter Slots	Omit if not required. See Figure 2.					
Band	<p>Omit if not required.</p> <p>K Pre-Coiled Micro Band included With Clamp</p> <p>J Pre-Coiled Slim Micro Band included With Clamp</p>					



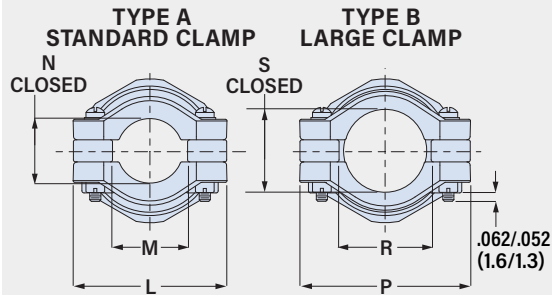
Shell Size	A Thread Class 2B	ø B Min in	mm	C Flats in	mm	D Max in	mm	E Max in	mm	F Max in	mm	G Max in	mm	H Max in	mm	J Max in	mm	K Ref. in	mm
08	0.500-20 UNF	.178	4.5	.750	19.1	.812	20.6	1.53	38.9	1.46	37.1	.79	20.1	1.01	25.7	.86	21.8	.393	10.0
10	0.625-24 UNEF	.305	7.8	.875	22.2	.938	23.8	1.58	40.1	1.52	38.6	.83	21.1	1.04	26.4	.93	23.6	.455	11.6
12	0.750-20 UNEF	.404	10.3	1.000	25.4	1.125	28.6	1.66	42.2	1.67	42.4	.93	23.6	1.17	29.7	1.03	26.2	.598	15.2
14	0.875-20 UNEF	.565	14.4	1.125	28.6	1.250	31.8	1.67	42.4	1.76	44.7	1.00	25.4	1.28	32.5	1.10	27.9	.710	18.0
16	1.000-20 UNEF	.658	16.7	1.250	31.8	1.375	34.9	1.77	45.0	1.89	48.0	1.09	27.7	1.40	35.6	1.16	29.5	.839	21.3
18	1.0625-18 UNEF	.748	19.0	1.375	34.9	1.500	38.1	1.77	45.0	1.96	49.8	1.14	29.0	1.50	38.1	1.22	31.0	.934	23.7
20	1.1875-18 UNEF	.877	22.3	1.500	38.1	1.625	41.3	1.92	48.8	2.11	53.6	1.22	31.0	1.57	39.9	1.29	32.8	1.068	27.1
22	1.3125-18 UNEF	.999	25.4	1.625	41.3	1.750	44.5	1.95	49.5	2.18	55.4	1.28	32.5	1.67	42.4	1.36	34.5	1.197	30.4
24	1.4375-18 UNEF	1.127	28.6	1.750	44.5	1.875	47.6	1.98	50.3	2.25	57.2	1.34	34.0	1.73	43.9	1.43	36.3	1.323	33.6

Swing-Arm® Clamps

for AS50151 Crimp, M26482 Series II, M83723 Series III, AS95234

870A004 Swing-Arm Saddle Clamp, EMI Banding Adapter, Composite

CLAMP DIMENSIONS



Standard Clamp								Large Clamp					
Shell Size	L Max	M Min	N Ref.				Shell Size	P Max	R Min	S Ref.			
	in	mm	in	mm	in	mm		in	mm	in	mm		
08	.97	24.6	.22	5.6	.264	6.7	08	.98	24.9	.33	8.4	.356	9.0
10	1.03	26.2	.29	7.4	.310	7.9	10	1.20	30.5	.45	11.4	.422	10.7
12	1.21	30.7	.34	8.6	.422	10.7	12	1.45	36.8	.62	15.7	.637	16.2
14	1.32	33.5	.45	11.4	.538	13.7	14	1.54	39.1	.68	17.3	.707	18.0
16	1.45	36.8	.55	14.0	.590	15.0	16	1.60	40.6	.80	20.3	.759	19.3
18	1.54	39.1	.65	16.5	.660	16.8	18	1.73	43.9	.90	22.9	.841	21.4
20	1.67	42.4	.74	18.8	.744	18.9	20	1.95	49.5	1.05	26.7	.996	25.3
22	1.79	45.5	.87	22.1	.826	21.0	22	2.08	52.8	1.18	30.0	1.060	26.9
24	1.92	48.8	.99	25.1	.896	22.8	24	2.32	58.9	1.30	33.0	1.124	28.5

MATERIAL/FINISH

Coupling nut, body, arms, saddles: polyetherimide (PEI)/ unplated black
 Screws, washers, inserts: stainless steel/ passivated
 Anti-decoupling springs: thermoplastic
 Banding adapter: aluminum alloy or brass
 Band (optional): stainless steel/ passivated
 Clinch Nuts: stainless steel/ silver plated

BAND INFORMATION

Terminate cable braid to band adapter with optional pre-coiled banding strap. Glenair's Band-Master ATS® banding system provides quick, easy, cost-effective and highly reliable termination. Band is passivated stainless steel.



Shell Size	Pre-Coiled Micro Band Part No.	Pre-Coiled Slim Micro Band Part No.	Length		Max Diameter	
			in	mm	in	mm
8 - 12	601-061	601-601	8.125	206	.88	22.4
14 - 28	601-065	601-603	14.25	362	1.88	47.8