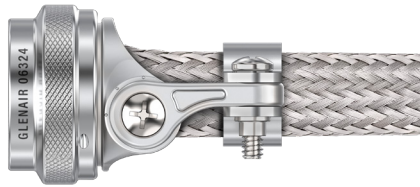


# Swing-Arm® Clamps

for AS50151 Crimp, M26482 Series II, M83723 Series III, AS95234

## 870A003 Swing-Arm Saddle Clamp, Braid Sock, SST/Aluminum

**Self-Locking**

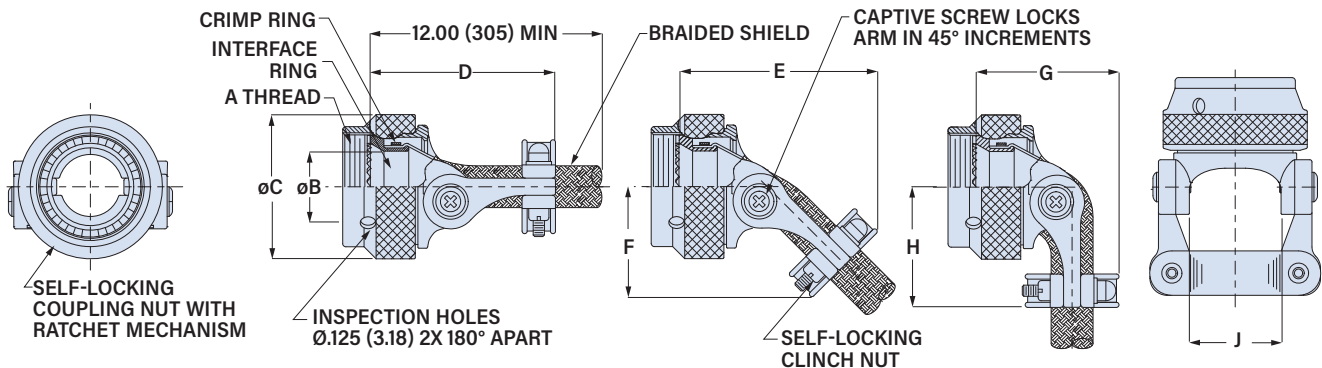


**Shielded, self-locking, adjustable arms.** 870A003 stainless steel or aluminum Swing-Arm saddle clamp fits AS50151 crimp, AS95234, MIL-DTL-26482 Series II, and MIL-DTL-83723 Series III connectors. Adjustable arms pivot to 0°, 45° or 90° positions. Supplied with 12 inches (305 mm) of shield braid attached to metal interface ring. Braid choices include 34 AWG nickel/copper, 34 AWG tin/copper, ultralightweight AmberStrand® or microfilament nickel/SST Armorlite®. Full radius saddles have self-locking clinch nuts. Available in two clamp sizes: standard clamp fits most wire bundles, large clamp has increased clearance for oversize wire bundles. Coupling nut has anti-decoupling mechanism for audible detented coupling and prevents backoff under high vibration.

|   |          |
|---|----------|
| <b>Adapter Code</b>   | <b>A</b> |
| AS50151 crimp, AS95234, MIL-DTL-26482 Ser. II, MIL-DTL-83723 Ser. III |          |

| TABLE 1 MATERIAL / FINISH   |  |
|-----------------------------|--|
| Aluminum                    |  |
| <b>M</b>                    | Electroless nickel                       |
| <b>NF</b>                   | Olive drab cadmium, selective (fig. 1)   |
| <b>MT</b>                   | Nickel-PTFE                              |
| <b>TZ</b>                   | Tin-zinc                                 |
| <b>ZR</b>                   | Black zinc-nickel                        |
| Stainless Steel, Passivated |  |
| <b>BM</b>                   | Brass interface ring, nickel plated      |
| <b>BMT</b>                  | Brass interface ring, nickel-PTFE plated |
| <b>ZI</b>                   | SST interface ring, passivated           |
| <b>ZM</b>                   | SST interface ring, nickel plated        |

| PART NUMBER                 |   | 870A003 | M | 12 | B | L | K | 14 |
|-----------------------------|---|---------|---|----|---|---|---|----|
| <b>Base P/N</b>             | 870A003   |         |   |    |   |   |   |    |
| <b>Material/Finish</b>      | See Table 1   |         |   |    |   |   |   |    |
| <b>Shell Size</b>           | 08 10 12 14 16 18 20 22 24  |         |   |    |   |   |   |    |
| <b>Clamp Size</b>           | See Clamp Dimensions on next page<br><b>A</b> Standard Clamp<br><b>B</b> Large Clamp  |         |   |    |   |   |   |    |
| <b>Braid Type</b>           | <b>N</b> 34 AWG Nickel/Copper Braid<br><b>T</b> 34 AWG Tin/Copper Braid<br><b>A</b> AmberStrand® Nickel/Composite Braid<br><b>L</b> Microfilament ArmorLite® Nickel/SST Braid |         |   |    |   |   |   |    |
| <b>Splice Ring and Band</b> | Omit if not required. See "Splice Ring and Band" on next page.<br><b>K</b> Splice ring and standard band<br><b>J</b> Splice ring and slim standard band                       |         |   |    |   |   |   |    |
| <b>Braid Length</b>         | Omit for standard 12 inch length<br><b>14</b> Length in 1 inch increments, 6 inch min "14" = 14 inches.   |         |   |    |   |   |   |    |



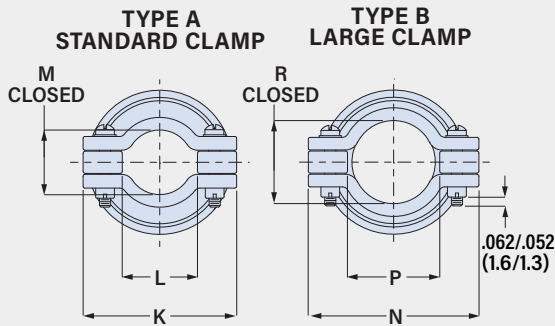
| Shell Size | A Thread Class 2B | ø B Min | ø C Max | D Max | E Max | F Max | G Max | H Max | J Ref. |
|------------|-------------------|---------|---------|-------|-------|-------|-------|-------|--------|
| in         | mm                | in      | mm      | in    | mm    | in    | mm    | in    | mm     |
| 08         | 0.500-20 UNF      | .264    | .812    | 1.50  | 1.43  | .76   | .95   | .84   | .393   |
| 10         | 0.625-24 UNEF     | .365    | .938    | 1.54  | 1.49  | .82   | .99   | .90   | .455   |
| 12         | 0.750-20 UNEF     | .498    | 1.125   | 1.62  | 1.64  | .92   | 1.14  | 1.00  | .598   |
| 14         | 0.875-20 UNEF     | .575    | 1.250   | 1.63  | 1.73  | .98   | 1.24  | 1.07  | .710   |
| 16         | 1.000-20 UNEF     | .700    | 1.375   | 1.73  | 1.86  | 1.08  | 1.36  | 1.13  | .839   |
| 18         | 1.0625-18 UNEF    | .779    | 1.500   | 1.73  | 1.93  | 1.12  | 1.46  | 1.20  | .934   |
| 20         | 1.1875-18 UNEF    | .904    | 1.625   | 1.88  | 2.08  | 1.21  | 1.55  | 1.26  | 1.068  |
| 22         | 1.3125-18 UNEF    | 1.029   | 1.750   | 1.91  | 2.15  | 1.27  | 1.63  | 1.33  | 1.197  |
| 24         | 1.4375-18 UNEF    | 1.144   | 1.875   | 1.94  | 2.23  | 1.33  | 1.70  | 1.40  | 1.323  |

# Swing-Arm® Clamps

for AS50151 Crimp, M26482 Series II, M83723 Series III, AS95234

## 870A003 Swing-Arm Saddle Clamp, Braid Sock, SST/Aluminum

### CLAMP DIMENSIONS



| Standard Clamp |          |          |          |          |           | Large Clamp |            |          |          |          |          |           |           |
|----------------|----------|----------|----------|----------|-----------|-------------|------------|----------|----------|----------|----------|-----------|-----------|
| Shell Size     | K Max in | K Max mm | L Min in | L Min mm | M Ref. in | M Ref. mm   | Shell Size | N Max in | N Max mm | P Min in | P Min mm | R Ref. in | R Ref. mm |
| 08             | .98      | 24.9     | .22      | 5.6      | .265      | 6.7         | 08         | .98      | 24.9     | .33      | 8.4      | .356      | 9.0       |
| 10             | 1.05     | 26.7     | .27      | 6.9      | .310      | 7.9         | 10         | 1.20     | 30.5     | .45      | 11.4     | .422      | 10.7      |
| 12             | 1.20     | 30.5     | .35      | 8.9      | .422      | 10.7        | 12         | 1.45     | 36.8     | .62      | 15.7     | .637      | 16.2      |
| 14             | 1.30     | 33.0     | .47      | 11.9     | .538      | 13.7        | 14         | 1.54     | 39.1     | .68      | 17.3     | .707      | 18.0      |
| 16             | 1.44     | 36.6     | .55      | 14.0     | .590      | 15.0        | 16         | 1.60     | 40.6     | .80      | 20.3     | .759      | 19.3      |
| 18             | 1.56     | 39.6     | .62      | 15.7     | .660      | 16.8        | 18         | 1.73     | 43.9     | .90      | 22.9     | .841      | 21.4      |
| 20             | 1.69     | 42.9     | .70      | 17.8     | .744      | 18.9        | 20         | 1.95     | 49.5     | 1.05     | 26.7     | .996      | 25.3      |
| 22             | 1.77     | 45.0     | .78      | 19.8     | .826      | 21.0        | 22         | 2.08     | 52.8     | 1.18     | 30.0     | 1.060     | 26.9      |
| 24             | 1.89     | 48.0     | .85      | 21.6     | .896      | 22.8        | 24         | 2.32     | 58.9     | 1.30     | 33.0     | 1.124     | 28.5      |

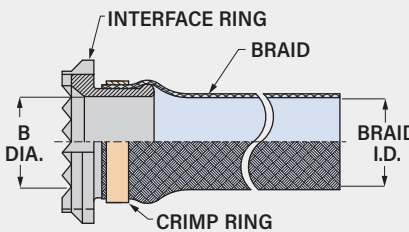
### MATERIAL/FINISH

**Aluminum (Codes M, MT, NF, TZ, ZR)**  
Coupling nut, body, arms, saddles, interface ring: aluminum  
Crimp Ring: copper alloy/ tin plated  
Screws, washers, inserts: stainless steel/ passivated  
Anti-decoupling spring: thermoplastic  
Clinch nuts: Codes M, MT, TZ and ZR: stainless steel, silver plated. Code NF: stainless steel/ olive drab cadmium

**Stainless Steel (Codes BM, BMT, Z1, ZM)**  
Coupling nut, body, arms, saddles, anti-decoupling springs, screws, washers, inserts: stainless steel, passivated  
Crimp Ring: copper alloy/ tin plated  
Clinch nuts: stainless steel, silver plated  
interface ring: brass (codes BM, BMT) or stainless steel (Z1, ZM)

**Braid:**  
Code N: 34 AWG nickel-coated copper  
Code T: 34 AWG tin-coated copper,  
Code A: *AmberStrand*® ultralightweight nickel-coated polymer  
Code L: *ArmorLite*® lightweight microfilament nickel-coated 316L stainless steel

### INTERFACE RING AND BRAID



| Shell Size | ø B Min in | ø B Min mm | Braid I.D. in | Braid I.D. mm |
|------------|------------|------------|---------------|---------------|
| 08         | .264       | 6.7        | .375          | 9.5           |
| 10         | .365       | 9.3        | .375          | 9.5           |
| 12         | .498       | 12.6       | .500          | 12.7          |
| 14         | .575       | 14.6       | .500          | 12.7          |
| 16         | .700       | 17.8       | .781          | 19.8          |
| 18         | .779       | 19.8       | .781          | 19.8          |
| 20         | .904       | 23.0       | 1.000         | 25.4          |
| 22         | 1.029      | 26.1       | 1.000         | 25.4          |
| 24         | 1.144      | 29.1       | 1.250         | 31.8          |

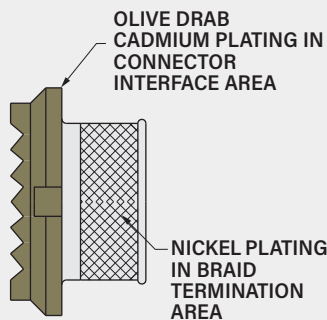
### SPLICE RING AND PRE-COILED BAND (K AND J OPTIONS)

Optional splice ring provides a reliable, low resistance method of splicing Swing-Arm braid sock to wire bundle braid. Snap splice ring over wire bundle, then overlap braid sock, pigtails and cable braid. Install band around splice ring and braid using Band-Master ATS banding tool. *Slim Standard Band* is 50% lighter weight than standard band with no reduction in strength.



| Shell Size | Band Part Number |               | Split Ring Part Number | øA            |               | øB            |               |
|------------|------------------|---------------|------------------------|---------------|---------------|---------------|---------------|
|            | Standard         | Slim Standard |                        | ±.03 (0.8) in | ±.03 (0.8) mm | ±.03 (0.8) in | ±.03 (0.8) mm |
| 08         | 601-006          | 601-571       | 687-207XB04            | .25           | 6.4           | .40           | 10.2          |
| 10         | 601-006          | 601-571       | 687-207XB06            | .38           | 9.7           | .53           | 13.5          |
| 12         | 601-006          | 601-571       | 687-207XB08            | .50           | 12.7          | .65           | 16.5          |
| 14         | 601-006          | 601-571       | 687-207XB10            | .63           | 16.0          | .78           | 19.8          |
| 16         | 601-006          | 601-571       | 687-207XB12            | .75           | 19.1          | .90           | 22.9          |
| 18         | 601-041          | 601-573       | 687-207XB14            | .88           | 22.4          | 1.03          | 26.2          |
| 20         | 601-041          | 601-573       | 687-207XB16            | 1.00          | 25.4          | 1.15          | 29.2          |
| 22         | 601-041          | 601-573       | 687-207XB18            | 1.13          | 28.7          | 1.28          | 32.5          |
| 24         | 601-041          | 601-573       | 687-207XB20            | 1.25          | 31.8          | 1.40          | 35.6          |

**FIGURE 1**  
NF SELECTIVE FINISH



INTERFACE RING