

Series 78 Rubber Covers

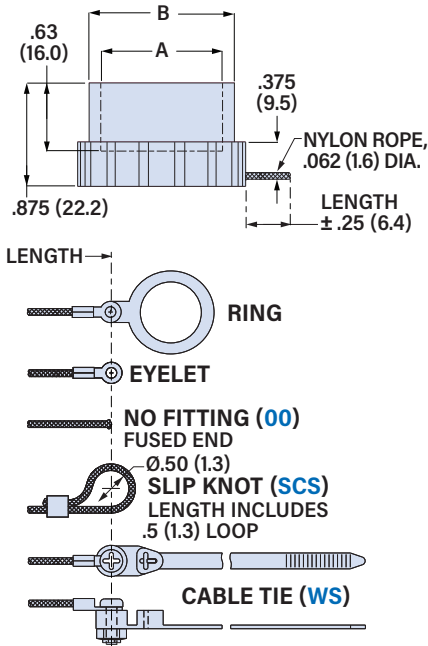
for Series 802 AquaMouse Connectors

809-193 Rubber Cover, Plug



MATERIAL / FINISH

Cover: black neoprene (standard), fungus resistant, sulfur-free
 Code C: conductive black neoprene, 100 ohms/sq. minimum
 Attachment cord: nylon, black
 Cable tie: black nylon with passivated SST screw and locknut
 Ring, eyelet: SST, black zinc cobalt
 Slip knot sleeve: copper/ black zinc cobalt



Shell Size	øA ± .060 (1.5)		øB ± .060 (1.5)	
	ln.	mm.	ln.	mm.
-05	.51	13.0	.70	17.8
-06	.66	16.8	.85	21.6
-07	.72	18.3	.91	23.1
-08	.78	19.8	.97	24.6
-09	.85	21.6	1.03	26.2
-10	.89	22.6	1.08	27.4
-12	1.02	25.9	1.21	30.7
-14	1.21	30.7	1.40	35.6
-15	1.27	32.3	1.46	37.1
-21	1.65	41.9	1.84	46.7

809-193 covers fit Glenair Series 802 Mighty Mouse plug connectors. Rugged molded rubber "Mini-Bean" cover fits over the coupling nut and protects from dust and damage. Fungus-resistant, sulfur-free neoprene with nylon rope. Attachment choices include cable tie, slip knot or ring. Rings are stainless steel with non-reflective black coating. Splashproof, not submersible.

PART NUMBER

		809-193	-10	G	5	-10	C
Base P/N	809-193	Plug Cover					
Shell Size	-05 -06 -07 -08 -09 -10 -12 -14 -15 -21						
Attachment Type	Omit for No Attachment G Nylon Rope, .062 (1.6) diameter						
Attachment Length	Length in 1 inch increments						
Attachment Fitting	-00 No Fitting -SCS Slip Knot -WS Cable Tie See Table 1 for Eyelet and Ring Attachment Fitting Codes						
Material	Omit for non-conductive black neoprene C Conductive Black Neoprene (10 ⁵ Ω/square min)						

TABLE 1 ATTACHMENT FITTING

SLIP KNOT

Code **SCS**
 Copper sleeve with black zinc cobalt finish. May be crimped after adjustment to permanently fix location.

CABLE TIE

Code **WS**
 6/6 nylon cable tie with screw and locknut. 1.77 (45.0) max. wire bundle dia. -40 to +85 °C.

RING

Code	Ring I.D. ± .015 (0.4)	Code	Ring I.D. ± .015 (0.4)
-32	.265 (6.7)	-16	.885 (22.5)
-29	.315 (8.0)	-17	.896 (22.8)
-08	.385 (9.8)	-26	.950 (24.1)
-09	.445 (11.3)	-28	1.015 (25.8)
-10	.516 (13.1)	-19	1.070 (27.2)
-11	.570 (14.5)	-20	1.135 (28.8)
-12	.583 (14.8)	-22	1.210 (30.7)
-13	.635 (16.1)	-23	1.275 (32.4)
-14	.695 (17.7)	-30	1.380 (35.1)
-27	.766 (19.5)	-25	1.530 (38.9)

EYELET

Code	Eyelet I.D. ± .010 (0.3)
-01	.126 (3.2)
-02	.140 (3.6)
-03	.145 (3.7)
-04	.156 (4.0)
-05	.167 (4.2)
-06	.188 (4.8)
-07	.197 (5.0)