

# Series 66 Protective Covers

for MIL-DTL-38999 Series III Connectors

## 660-023 Plug Cover

### M38999/III Plug Cover



660-023 protective cover fits MIL-DTL-38999 Series III triple-start plug connectors including D38999/26. Aluminum or stainless steel, with stainless steel fittings. Silicone gasket.

### PART NUMBER

<b>660-023</b>	<b>M</b>	<b>17</b>	<b>S</b>	<b>5</b>	<b>-05</b>					
<b>Base P/N</b>	<b>660-023</b>									
<b>Material/Finish</b>	See Table 1									
<b>Shell Size</b>	Shell Size Code	9 A	11 B	13 C	15 D	17 E	19 F	21 G	23 H	25 J
<b>Attachment Type</b>	<b>N</b>	No Attachment See Table 2 for Attachment Types								
<b>Attachment Length</b>	Omit for Attachment Type N Length in One Inch Increments									
<b>Attachment Ring</b>	<b>-00</b>	No Ring See Table 3 for Attachment Ring Codes								

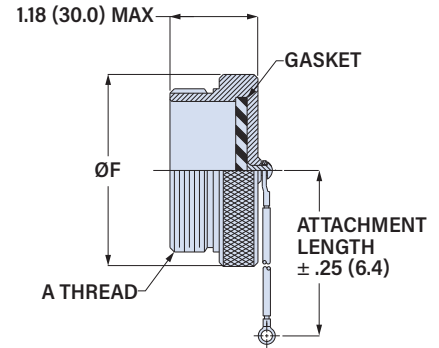
**TABLE 1 MATERIAL / FINISH**

Aluminum	Stainless Steel
<b>C</b> Black Anodize	<b>Z1</b> Passivate
<b>M</b> Electroless Nickel	
<b>NF</b> Olive Drab Cadmium	
<b>MT</b> Nickel-PTFE	
<b>ZR</b> Black Zinc-Nickel	
<b>TZ</b> Tin-Zinc	

**TABLE 2 ATTACHMENT TYPE**

<b>D</b>		<b>SST Bead Chain</b> .125 (3.2) diameter, size 6, -65 to +200 °C
<b>F</b>		<b>Wire Rope, Blue Nylon Jacket</b> 6/6 nylon over stainless steel rope, fair flexibility, good abrasion resistance, -55 to +100 °C
<b>G</b>		<b>Black Nylon Rope</b> Very flexible, good abrasion and fuel resistance, .094 (2.4) diameter, -55 to +100 °C
<b>H</b>		<b>Wire Rope, Clear FEP Jacket</b> Clear FEP jacket over SST rope, fair flexibility, good abrasion resistance, .100" diameter, -65 to +200 °C
<b>S</b>		<b>Sash Chain</b> #8 sash chain, stainless steel. Length tolerance is ± one link. .280 (Z1)
<b>SK</b>		<b>Nylon Rope with Slip Knot</b> Very flexible, good abrasion and fuel resistance, .094 (2.4) diameter. Length includes .5" (13mm) dia. loop, -55 to +100 °C
<b>T</b>		<b>SST Wire Rope, No Jacket</b> Good flexibility, good abrasion resistance, .047 (1.2) diameter, passivated, -65 to +200 °C
<b>U</b>		<b>Wire Rope, Black Polyurethane</b> Stainless steel rope with black polyurethane coating, flexible, excellent abrasion resistance and resistance to fuels, .080" (2mm) diameter, -55 to +125 °C

Shell Size	A Thread	ø F Max In.	mm.
09 (A)	.625-0.1P-0.3L-TS-2A	.906	23.0
11 (B)	.750-0.1P-0.3L-TS-2A	1.024	26.0
13 (C)	.875-0.1P-0.3L-TS-2A	1.220	31.0
15 (D)	1.000-0.1P-0.3L-TS-2A	1.300	33.0
17 (E)	1.1875-0.1P-0.3L-TS-2A	1.457	37.0
19 (F)	1.250-0.1P-0.3L-TS-2A	1.575	40.0
21 (G)	1.375-0.1P-0.3L-TS-2A	1.732	44.0
23 (H)	1.500-0.1P-0.3L-TS-2A	1.811	46.0
25 (J)	1.625-0.1P-0.3L-TS-2A	1.969	50.0



**TABLE 3 ATTACHMENT RING**

EYELET		STYLE A RING		STYLE B RING		SPLIT RING	
<b>Code</b>	<b>Eyelet I.D.</b>	<b>Code</b>	<b>Ring I.D.</b>	<b>Code</b>	<b>Ring I.D.</b>	<b>Code</b>	<b>Ring I.D.</b>
-06	.125 (3.2)	-095	.312 (7.9)	-10	.593 (15.1)	-50	.425 (10.8)
-01	.140 (3.6)	-100	.391 (9.9)	-12	.718 (18.2)	-52	.485 (12.3)
-09	.156 (4.0)	-101	.516 (13.1)	-13	.765 (19.4)	-54	.640 (16.3)
-05	.167 (4.2)	-103	.641 (16.3)	-14	.844 (21.4)	-56	.750 (19.1)
-02	.182 (4.6)	-104	.708 (18.0)	-15	.890 (22.6)	-58	.890 (22.6)
-03	.191 (4.9)	-105	.766 (19.5)	-17	1.015 (25.8)	-60	1.015 (25.8)
-04	.197 (5.0)	-106	.896 (22.8)	-19	1.140 (29.0)	-62	1.095 (27.8)
-07	.218 (5.5)	-107	1.016 (25.8)	-20	1.203 (30.6)	-64	1.130 (28.7)
		-108	1.141 (29.0)	-21	1.265 (32.1)	-66	1.250 (31.8)
		-208	1.203 (30.6)	-22	1.343 (34.1)	-68	1.350 (34.3)
		-109	1.266 (32.2)	-24	1.484 (37.7)	-70	1.375 (34.9)
		-110	1.391 (35.3)	-27	1.640 (41.7)	-72	1.485 (37.7)
		-111	1.521 (38.6)	-29	1.765 (44.8)	-74	1.625 (41.3)
		-112	1.641 (41.7)	-30	1.890 (48.0)	-76	1.750 (44.5)
		-113	1.766 (44.9)	-31	1.953 (49.6)	-80	1.980 (50.3)
		-114	1.891 (48.0)	-33	2.077 (52.8)	-84	2.235 (56.8)
		-115	2.078 (52.8)	-36	2.187 (55.5)	-86	2.310 (58.7)
		-116	2.406 (61.1)	-40	2.406 (61.1)	-88	2.475 (62.9)
		-117	2.510 (63.8)	-44	2.656 (67.5)	-90	2.655 (67.4)
<b>CABLE TIE</b>							
	<b>-WS</b> Black 6/6 nylon cable tie 1.77 (45.0) max. wire bundle dia.						