

Series 65 Dummy Receptacles

for MIL-DTL-38999 Series III and IV Connectors

650HS091, 650HS007

650HS091 DUMMY RECEPTACLE, JAM NUT, FOR MIL-DTL-38999 SERIES III CONNECTORS



Use dummy storage receptacle to secure and protect unused plugs. 650HS091 receptacle accommodates MIL-DTL-38999 Series III triple-start threaded plug connectors. Jam nut mounting, fits standard mil spec panel cutout. Fluorosilicone O-ring, silicone gasket.

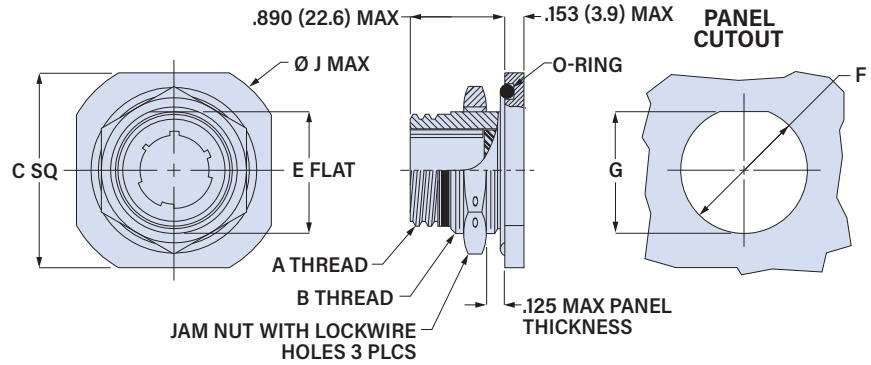


TABLE 1 FINISH CODES

Aluminum	
C	Black Anodize
M	Electroless Nickel
NF	Olive Drab Cadmium
MT	Nickel-PTFE
ZR	Black Zinc-Nickel
TZ	Tin-Zinc
Stainless Steel	
Z1	Passivate

Shell Size	Polarizing Position	Part Number * = Finish Code from Table 1	A Thread Class 2A	B Thread Class 2A 0.100R	C Sq ± .015 (0.4) In. mm.	E Max In. mm.	ø F ± .005 (0.13) In. mm.	G ± .005 (0.13) In. mm.	ø J Max In. mm.
09 (A)	C, E, N	650HS091*09	.625-0.1P-0.3L-TS	M17x1-6g	1.062 27.0	.655 16.6	.698 17.7	.658 16.7	1.201 30.5
09 (A)	A, B, D	650HS091*09A	.625-0.1P-0.3L-TS	M17x1-6g	1.062 27.0	.655 16.6	.698 17.7	.658 16.7	1.201 30.5
11 (B)	A, B, C, D, E	650HS091*11	.750-0.1P-0.3L-TS	M20x1-6g	1.250 31.8	.755 19.2	.830 21.1	.766 19.5	1.386 35.2
13 (C)	A, B, C, D, E	650HS091*13	.875-0.1P-0.3L-TS	M25x1-6g	1.375 34.9	.942 23.9	1.015 25.8	.940 23.9	1.512 38.4
15 (D)	A, B, C, D, E	650HS091*15	1.000-0.1P-0.3L-TS	M28x1-6g	1.500 38.1	1.065 27.1	1.140 29.0	1.070 27.2	1.638 41.6
17 (E)	A, B, C, D, E	650HS091*17	1.1875-0.1P-0.3L-TS	M32x1-6g	1.625 41.3	1.191 30.3	1.265 32.1	1.205 30.6	1.764 44.8
19 (F)	A, B, C, D, E	650HS091*19	1.250-0.1P-0.3L-TS	M35x1-6g	1.812 46.0	1.316 33.4	1.390 35.3	1.330 33.8	1.949 49.5
21 (G)	A, B, C, D, E	650HS091*21	1.375-0.1P-0.3L-TS	M38x1-6g	1.931 49.0	1.441 36.6	1.515 38.5	1.455 37.0	2.075 52.7
23 (H)	A, B, C, D, E	650HS091*23	1.500-0.1P-0.3L-TS	M41x1-6g	2.062 52.4	1.566 39.8	1.640 41.7	1.580 40.1	2.201 55.9
25 (J)	A, B, C, D, E	650HS091*25	1.625-0.1P-0.3L-TS	M44x1-6g	2.188 55.6	1.691 43.0	1.765 44.8	1.705 43.3	2.323 59.0

650HS007 DUMMY RECEPTACLE FOR MIL-DTL-38999 SERIES IV CONNECTORS



Use dummy storage receptacle to secure and protect unused plugs. 650HS007 receptacle accommodates MIL-DTL-38999 Series IV breech-lock plug connectors.

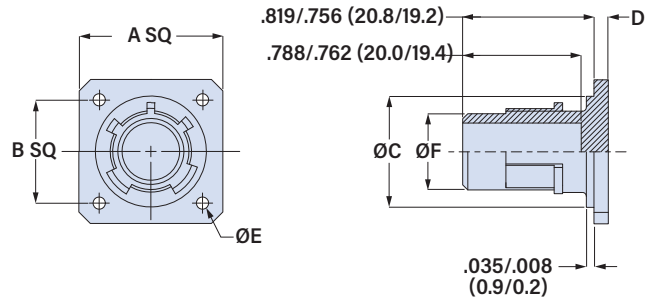


TABLE 1 FINISH CODES

Aluminum		Stainless Steel	
C	Black Anodize	Z1	Passivate
M	Electroless Nickel		
NF	Olive Drab Cadmium		
MT	Nickel-PTFE		
ZR	Black Zinc-Nickel		
TZ	Tin-Zinc		

Shell Size	Part Number * = Finish Code from Table 1	A Max. In. mm.	B ± .015 (0.4) In. mm.	C Max. In. mm.	D ± .006 (0.15) ± .008 (0.2) In. mm.	øE In. mm.	F Max. In. mm.
11 (B)	650HS007*11	1.051 26.7	.812 20.6	.793 20.1	.094 2.4	.130 3.3	.509 12.9
13 (C)	650HS007*13	1.146 29.1	.906 23.0	.919 23.3	.094 2.4	.130 3.3	.634 16.1
15 (D)	650HS007*15	1.240 31.5	.969 24.6	1.044 26.5	.094 2.4	.130 3.3	.759 19.3
17 (E)	650HS007*17	1.335 33.9	1.062 27.0	1.170 29.7	.094 2.4	.130 3.3	.885 22.5
19 (F)	650HS007*19	1.461 37.1	1.156 29.4	1.294 32.9	.094 2.4	.130 3.3	1.009 25.6
21 (G)	650HS007*21	1.583 40.2	1.250 31.8	1.419 36.0	.126 3.2	.130 3.3	1.134 28.8
23 (H)	650HS007*23	1.709 43.4	1.375 34.9	1.544 39.2	.126 3.2	.150 3.8	1.259 32.0
25 (J)	650HS007*25	1.835 46.6	1.500 38.1	1.669 42.4	.126 3.2	.150 3.8	1.384 35.2