

Series 65 Dummy Receptacles

for MIL-DTL-38999 Series III Connectors

650HS058, 650HS025

650HS058 DUMMY RECEPTACLE FOR MIL-DTL-38999 SERIES III CONNECTORS

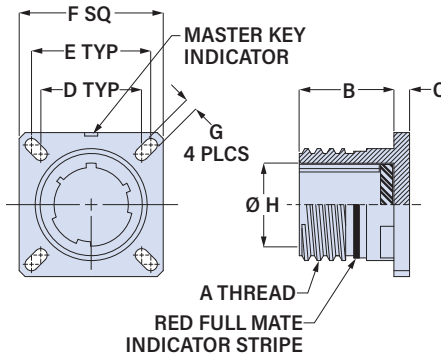


TABLE 1 FINISH CODES

Aluminum		Stainless Steel
C	Black Anodize	Z1 Passivate
M	Electroless Nickel	
NF	Olive Drab Cadmium	
MT	Nickel-PTFE	
ZR	Black Zinc-Nickel	
TZ	Tin-Zinc	

Use dummy storage receptacle to secure and protect unused plugs. 650HS058 receptacle accommodates MIL-DTL-38999 Series III triple-start threaded plug connectors. Fluorosilicone gasket.

Shell Size	Polarizing Position	Part Number * = Finish Code from Table 1	A Thread	B +.000/-0.005 (+0.0/-0.13)		C ± .012 (0.3)	D ± .015 (0.4)	E ± .015 (0.4)	F ± .012 (0.3)	G ± .008 (0.2)	H +.000/-0.005 (+0.0/-0.13)						
				In.	mm.	In.	mm.	In.	mm.	In.	mm.	In.	mm.				
09 (A)	C, E, N	650HS058*09	.625-0.1P-0.3L-TS-2A	.820	20.8	.098	2.5	.594	15.1	.719	18.3	.937	23.8	.128	3.3	.492	12.5
09 (A)	A, B, D	650HS058*09A	.625-0.1P-0.3L-TS-2A	.820	20.8	.098	2.5	.594	15.1	.719	18.3	.937	23.8	.128	3.3	.492	12.5
11 (B)	A, B, C, D, E	650HS058*11	.750-0.1P-0.3L-TS-2A	.820	20.8	.098	2.5	.719	18.3	.812	20.6	1.031	26.2	.128	3.3	.620	15.7
13 (C)	A, B, C, D, E	650HS058*13	.875-0.1P-0.3L-TS-2A	.820	20.8	.098	2.5	.812	20.6	.906	23.0	1.126	28.6	.128	3.3	.769	19.5
15 (D)	A, B, C, D, E	650HS058*15	1.000-0.1P-0.3L-TS-2A	.820	20.8	.098	2.5	.906	23.0	.969	24.6	1.220	31.0	.128	3.3	.894	22.7
17 (E)	A, B, C, D, E	650HS058*17	1.1875-0.1P-0.3L-TS-2A	.820	20.8	.098	2.5	.969	24.6	1.062	27.0	1.311	33.3	.128	3.3	1.019	25.9
19 (F)	A, B, C, D, E	650HS058*19	1.250-0.1P-0.3L-TS-2A	.820	20.8	.098	2.5	1.062	27.0	1.156	29.4	1.437	36.5	.128	3.3	1.124	28.5
21 (G)	A, B, C, D, E	650HS058*21	1.375-0.1P-0.3L-TS-2A	.790	20.1	.126	3.2	1.156	29.4	1.250	31.8	1.563	39.7	.128	3.3	1.249	31.7
23 (H)	A, B, C, D, E	650HS058*23	1.500-0.1P-0.3L-TS-2A	.790	20.1	.126	3.2	1.250	31.8	1.375	34.9	1.689	42.9	.154	3.9	1.374	34.9
25 (J)	A, B, C, D, E	650HS058*25	1.625-0.1P-0.3L-TS-2A	.790	20.1	.126	3.2	1.375	34.9	1.500	38.1	1.811	46.0	.154	3.9	1.499	38.1

650HS025 DUMMY RECEPTACLE, COMPOSITE, FOR MIL-DTL-38999 SERIES III CONNECTORS

COMPOSITE

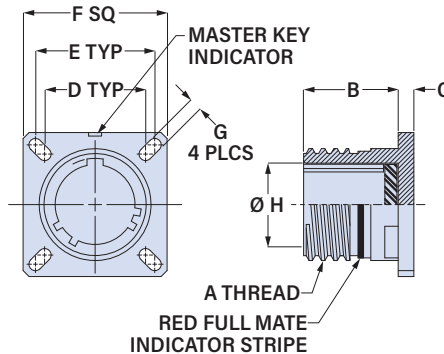


TABLE 1 FINISH CODES

Composite	
XB	Unplated, Black, Non-Conductive
XM	Electroless Nickel
XW	Olive Drab Cadmium
XO	Amber Color, Unplated, Non-Conductive
XMT	Nickel-PTFE

Use dummy storage receptacle to secure and protect unused plugs. 650HS025 receptacle accommodates MIL-DTL-38999 Series III triple-start threaded plug connectors. Glass-reinforced thermoplastic, fluorosilicone gasket.

Shell Size	Polarizing Position	Part Number * = Finish Code Table 1 ♦ = Key Position A,B,C,D,E,N	A Thread	B +.075/-0.000 (+1.9/-0.0)		C ± .030 (0.8)	D ± .015 (0.4)	E ± .015 (0.4)	F ± .012 (0.3)	G ± .008 (0.2)	H +.000/-0.005 (+0.0/-0.13)						
				In.	mm.	In.	mm.	In.	mm.	In.	mm.	In.	mm.				
09 (A)		650HS025*09♦	.625-0.1P-0.3L-TS-2A	.768	19.5	.116	2.9	.594	15.1	.719	18.3	.937	23.8	.128	3.3	.492	12.5
11 (B)		650HS025*11♦	.750-0.1P-0.3L-TS-2A	.768	19.5	.116	2.9	.719	18.3	.812	20.6	1.031	26.2	.128	3.3	.620	15.7
13 (C)		650HS025*13♦	.875-0.1P-0.3L-TS-2A	.768	19.5	.116	2.9	.812	20.6	.906	23.0	1.126	28.6	.128	3.3	.769	19.5
15 (D)		650HS025*15♦	1.000-0.1P-0.3L-TS-2A	.768	19.5	.116	2.9	.906	23.0	.969	24.6	1.220	31.0	.128	3.3	.894	22.7
17 (E)		650HS025*17♦	1.1875-0.1P-0.3L-TS-2A	.768	19.5	.116	2.9	.969	24.6	1.062	27.0	1.311	33.3	.128	3.3	1.019	25.9
19 (F)		650HS025*19♦	1.250-0.1P-0.3L-TS-2A	.768	19.5	.116	2.9	1.062	27.0	1.156	29.4	1.437	36.5	.128	3.3	1.124	28.5
21 (G)		650HS025*21♦	1.375-0.1P-0.3L-TS-2A	.736	18.7	.143	3.6	1.156	29.4	1.250	31.8	1.563	39.7	.128	3.3	1.249	31.7
23 (H)		650HS025*23♦	1.500-0.1P-0.3L-TS-2A	.736	18.7	.143	3.6	1.250	31.8	1.375	34.9	1.689	42.9	.154	3.9	1.374	34.9
25 (J)		650HS025*25♦	1.625-0.1P-0.3L-TS-2A	.736	18.7	.143	3.6	1.375	34.9	1.500	38.1	1.811	46.0	.154	3.9	1.499	38.1