

# Series 62 Saddle Clamps

for Series 970 PowerTrip® Connectors

## 620PS076 Saddle Clamp, Self-Locking



**Self-Locking**

**Spin coupling.** Heavy-duty clamp fits Glenair Series 970 PowerTrip® connectors. Anti-decoupling mechanism provides audible detented coupling and prevents backoff under high vibration. Saddles have self-locking stainless steel clinch nuts. Rigid dielectric bushing provides additional wire support (not available for all insert patterns). Aluminum alloy or stainless steel. Stainless steel screws and clinch nuts, thermoplastic wire support bushing.

**Adapter Code P**  
This accessory fits Glenair Series 970 PowerTrip Connectors

### MATERIAL/FINISH

Coupling nut, body, saddles: aluminum or SST  
Screws: stainless steel/passivated  
Clinch nuts: stainless steel/silver  
Anti-decoupling spring: thermoplastic (aluminum body) or SST (SST body)  
Wire support bushing: Delrin

### WIRE SUPPORT BUSHING



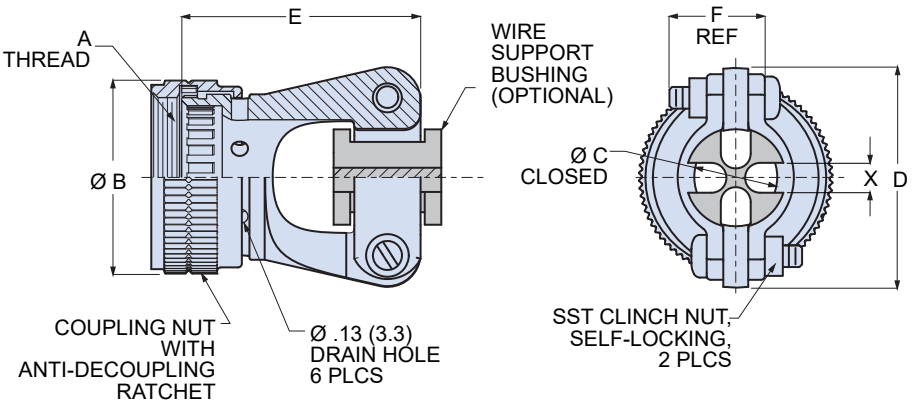
Wire Size	X (Ref.)	
	in	mm
8 AWG	.217	5.51
4 AWG	.331	8.41
1/0 AWG	.500	12.70

### RECOMMENDED TORQUE

Shell Size	Recommended Installation Torque Inch-Pounds ±5
18	116
20, 24	136
28, 32, 36	148
40	164

### PART NUMBER

	620PS076	ZTZ	18	B2	
<b>Base P/N</b>	620PS076				
<b>Material/Finish</b>	ME	Alum/Electroless Nickel			
	NF	Alum/Olive Drab Cadmium			
	ZR	Alum/Black Zinc-Nickel			
	TZ	Alum/Tin-Zinc			
	Z1	SST/Passivated			
	ZTZ	SST/Tin-Zinc			
<b>Shell Size</b>	18 20 24 28 32 36 40				
<b>Wire Support Bushing</b>	<i>Omit if bushing is not required.</i> B2 Two slot bushing (for arr. 18-2, 24-2, 32-2) B3 Three slot bushing (for arr. 20-3, 24-3, 32-3) B4 Four slot bushing (for arr. 20-4, 28-4, 36-4) B5 Five slot bushing (for arr. 24-5, 32-5, 40-5)				



Shell Size	A Thread	ø B Max.		C ±.031 (0.79)		D Max. in	E Max. in	F Ref. in	mm	
		in	mm	in	mm					
18	1.125-18 UNEF-2B	1.390	35.3	.518	13.2	1.500	38.1	1.830	46.5	.630 16.0
20	1.250-18 UNEF-2B	1.530	38.9	.665	16.9	1.687	42.8	1.830	46.5	.630 16.0
24	1.4375-18 UNEF-2B	1.720	43.7	.795	20.2	1.921	48.8	2.030	51.6	.630 16.0
28	1.8125-16 UN-2B	2.130	54.1	1.080	27.4	2.355	59.8	2.130	54.1	.750 19.1
32	2.0625-16 UNS-2B	2.350	59.7	1.200	30.5	2.716	69.0	2.530	64.3	.880 22.4
36	2.250-16 UN-2B	2.590	65.8	1.400	35.6	2.869	72.9	2.530	64.3	.880 22.4
40	2.500-16 UN-2B	2.870	72.9	1.700	43.2	3.066	77.9	2.530	64.3	.880 22.4