

Series 62 Saddle Clamps

for AS50151 Crimp, M26482 Series II, M83723 Series III, AS95234

620A*042 Saddle Clamp, Composite



Self-Locking

Adapter Code A

AS50151 crimp, AS95234, MIL-DTL-26482 Ser. II, MIL-DTL-83723 Ser. III

MATERIAL/FINISH

Coupling nut, saddles: polyetherimide (PEI), unplated

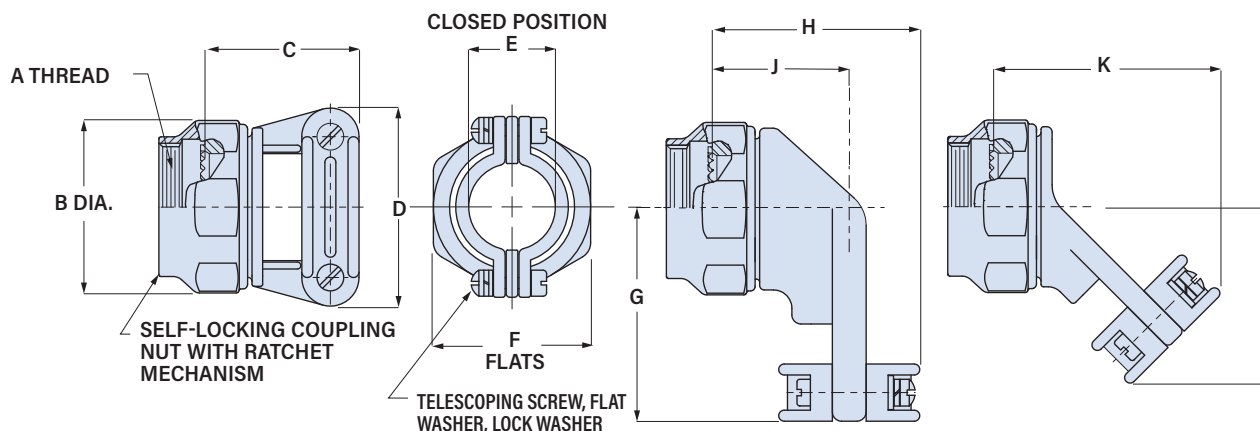
Clamp Body: polyetherimide (PEI)/finish per PN

Screws, washers: stainless steel/passivated
Anti-decoupling spring: thermoplastic

Self-locking. Full radius saddles. Composite saddle clamp fits AS50151 crimp (MS3450), AS95234, MIL-DTL-26482 Series II, MIL-DTL-83723 Series III connectors. Anti-decoupling mechanism provides audible detented coupling and prevents backoff under high vibration. Telescoping screws. Full radius saddles are intended to be bottomed onto frame. Wrap wire bundle with silicone tape so that the saddles, when fully closed, securely grip the wire bundle. High temperature thermoplastic. Straight, 45° and 90° profiles.

PART NUMBER

		620AS042	XB	22
Base P/N	620AS042	Straight		
	620AB042	45°		
	620AA042	90°		
Clamp Body Finish	XM	Electroless Nickel		
	XW	Olive Drab Cadmium		
	XB	Unplated, Black Color		
	XO	Unplated, Natural (amber) Color		
	XZN	Black Zinc-Nickel		
Shell Size	08 10 12 14 16 18 20 22 24 28			



Shell Size	A Thread Class 2B	øB Max in mm	C ± .06(1.5) in mm	D ± .06(1.5) in mm	E ± .03(0.8) in mm	F Flats (ref) in mm	G ± .06(1.5) in mm	H ± .06(1.5) in mm	J Ref in mm	K Max in mm	L Max in mm
08	0.500-20 UNF	.86 21.8	.80 20.3	.88 22.4	.218 5.5	.75 19.1	.88 22.4	.86 21.8	.63 16.0	1.32 33.5	.90 22.9
10	0.625-24 UNEF	.98 24.9	.88 22.4	.94 23.9	.264 6.7	.88 22.4	.94 23.9	.91 23.1	.65 16.5	1.35 34.3	.96 24.4
12	0.750-20 UNEF	1.16 29.5	1.00 25.4	1.17 29.7	.345 8.8	1.00 25.4	1.03 26.2	1.02 25.9	.71 18.0	1.43 36.3	1.05 26.7
14	0.875-20 UNEF	1.28 32.5	1.00 25.4	1.28 32.5	.461 11.7	1.13 28.7	1.13 28.7	1.13 28.7	.76 19.3	1.48 37.6	1.11 28.2
16	1.000-20 UNEF	1.41 35.8	1.13 28.7	1.41 35.8	.544 13.8	1.25 31.8	1.31 33.3	1.26 32.0	.80 20.3	1.58 40.1	1.17 29.7
18	1.0625-18 UNEF	1.52 38.6	1.19 30.2	1.50 38.1	.614 15.6	1.38 35.1	1.38 35.1	1.31 33.3	.83 21.1	1.70 43.2	1.23 31.2
20	1.1875-18 UNEF	1.64 41.7	1.25 31.8	1.56 39.6	.697 17.7	1.50 38.1	1.50 38.1	1.37 34.8	.90 22.9	1.74 44.2	1.29 32.8
22	1.3125-18 UNEF	1.77 45.0	1.38 35.1	1.69 42.9	.780 19.8	1.63 41.4	1.63 41.4	1.45 36.8	.94 23.9	1.79 45.5	1.36 34.5
24	1.4375-18 UNEF	1.89 48.0	1.50 38.1	1.82 46.2	.850 21.6	1.75 44.5	1.75 44.5	1.52 38.6	.97 24.6	1.83 46.5	1.41 35.8
28	1.750-18 UNS	2.16 54.9	1.75 44.5	1.94 49.3	.950 24.1	2.00 50.8	1.79 45.5	1.68 42.7	1.02 25.9	2.13 54.1	1.47 37.3