



Qwik-Ty® Strain Reliefs

for MIL-DTL-38999 Series III and IV Connectors

457H*044 Qwik-Ty Strain Relief, Composite, with EMI Band Adapter

Self-Locking



Low profile. Light weight. Band-Master shield termination. 457H*044 Qwik-Ty® strain relief fits MIL-DTL-38999 Series III and Series IV connectors. Terminate cable shield to adapter with Band-Master strap (purchased separately). "T" slots in adapter accept individual shields. Anti-decoupling mechanism provides audible detented coupling and prevents backoff under high vibration. Attach wire bundle to arm with cable tie (not supplied). Optional rubber pad provides wire cushioning. Black thermoplastic body, coupling nut and detent spring, aluminum banding adapter, fluorosilicone spacer pad.

PART NUMBER

457HB044 M 11 P

Adapter Code H

This accessory fits these connectors:
MIL-DTL-38999 Series III and Series IV

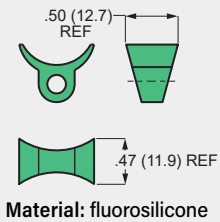
Base P/N
457HS044 Straight
457HA044 90°
457HB044 45°

Banding Adapter Finish
M Electroless Nickel
NF Olive Drab Cadmium
MT Nickel-PTFE

Size Code	Shell Size	9	11	13	15	17	19	21	23	25
	Size Code	09	11	13	15	17	19	21	23	25

Spacer Pad *Omit if not required*
P Supplied with optional rubber spacer pad (fig. 1)

FIGURE 1: SPACER PAD

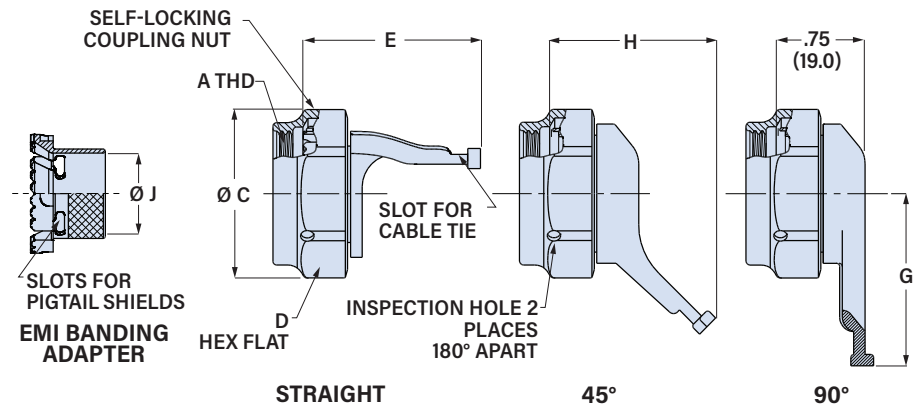


BANDING STRAP

Terminate cable braid to backshell with **banding strap**. Glenair's Band-Master ATS® banding system provides quick, easy, cost-effective and highly reliable termination of braid shield. Stainless steel.



Pre-Coiled Band P/N	Length	Max Diameter
601-061	8.13 (206)	.88 (22.4)
601-065	14.25 (362)	1.88 (47.8)



Shell Size	A Thread	D		E Max	G Max	H Max	Cable Entry						
		ØC Max	Hex Flats										
9 (A)	M12X1.0-6H	.86	21.8	.750	19.1	1.28	32.5	1.22	31.0	1.14	29.0	.140	3.6
11 (B)	M15X1.0-6H	.98	24.9	.875	22.4	1.28	32.5	1.29	32.8	1.14	29.0	.270	6.9
13 (C)	M18X1.0-6H	1.16	29.5	1.000	25.4	1.44	36.6	1.62	41.1	1.14	29.0	.390	9.9
15 (D)	M22X1.0-6H	1.28	32.5	1.125	28.6	1.51	38.4	1.66	42.2	1.64	41.7	.512	13.0
17 (E)	M25X1.0-6H	1.41	35.8	1.250	31.8	1.51	38.4	1.72	43.7	1.64	41.7	.637	16.2
19 (F)	M28X1.0-6H	1.52	38.6	1.375	34.9	1.57	39.9	1.72	43.7	1.74	44.2	.757	19.2
21 (G)	M31X1.0-6H	1.64	41.7	1.500	38.1	1.71	43.4	1.79	45.5	1.74	44.2	.881	22.4
23 (H)	M34X1.0-6H	1.77	45.0	1.625	41.3	1.83	46.5	1.85	47.0	1.74	44.2	1.006	25.6
25 (J)	M37X1.0-6H	1.89	48.0	1.750	44.5	1.95	51.0	1.91	48.5	1.95	49.5	1.131	28.7