

# Qwik-Ty® Strain Reliefs

for MIL-DTL-38999 Series I and II Connectors

## 457F\*044 Qwik-Ty Strain Relief, Composite, with EMI Band Adapter

**Self-Locking**

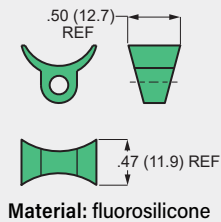


**Low profile. Light weight. Band-Master shield termination.** 457F\*044 Qwik-Ty® strain relief fits MIL-DTL-38999 Series I and Series II connectors. Terminate cable shield to adapter with Band-Master strap (purchased separately). "T" slots in adapter accept individual shields. Anti-decoupling mechanism provides audible detented coupling and prevents backoff under high vibration. Attach wire bundle to arm with cable tie (not supplied). Optional rubber pad provides wire cushioning. Black thermoplastic body, coupling nut and detent spring, aluminum banding adapter, fluorosilicone spacer pad.

**Adapter Code F**

This accessory fits these connectors:  
MIL-DTL-38999 Series I and Series II

**FIGURE 1: SPACER PAD**



### BANDING STRAP

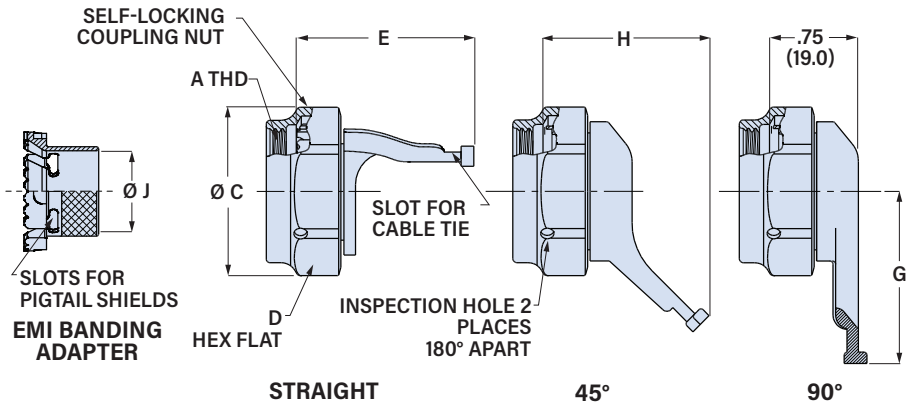
Terminate cable braid to backshell with banding strap. Glenair's Band-Master ATS® banding system provides quick, easy, cost-effective and highly reliable termination of braid shield. Stainless steel.



Pre-Coiled Band P/N	Length	Max Diameter
601-061	8.13 (206)	.88 (22.4)
601-065	14.25 (362)	1.88 (47.8)

### PART NUMBER

	<b>457FB044</b>	<b>M</b>	<b>12</b>	<b>P</b>																																																
<b>Base P/N</b>	<b>457FS044</b> Straight <b>457FA044</b> 90° <b>457FB044</b> 45°																																																			
<b>Banding Adapter Finish</b>	<b>M</b> Electroless Nickel <b>NF</b> Olive Drab Cadmium <b>MT</b> Nickel-PTFE																																																			
<b>Size Code</b>	<table border="1"> <thead> <tr> <th colspan="2"></th> <th colspan="10">Shell Size</th> </tr> <tr> <th>Series I</th> <th>9</th> <th>11</th> <th>13</th> <th>15</th> <th>17</th> <th>19</th> <th>21</th> <th>23</th> <th>25</th> <th colspan="2"></th> </tr> <tr> <th>Series II</th> <th>8</th> <th>10</th> <th>12</th> <th>14</th> <th>16</th> <th>18</th> <th>20</th> <th>22</th> <th>24</th> <th colspan="2"></th> </tr> <tr> <th>Size Code</th> <td><b>08</b></td> <td><b>10</b></td> <td><b>12</b></td> <td><b>14</b></td> <td><b>16</b></td> <td><b>18</b></td> <td><b>20</b></td> <td><b>22</b></td> <td><b>24</b></td> <td colspan="2"></td> </tr> </thead> </table>						Shell Size										Series I	9	11	13	15	17	19	21	23	25			Series II	8	10	12	14	16	18	20	22	24			Size Code	<b>08</b>	<b>10</b>	<b>12</b>	<b>14</b>	<b>16</b>	<b>18</b>	<b>20</b>	<b>22</b>	<b>24</b>		
		Shell Size																																																		
Series I	9	11	13	15	17	19	21	23	25																																											
Series II	8	10	12	14	16	18	20	22	24																																											
Size Code	<b>08</b>	<b>10</b>	<b>12</b>	<b>14</b>	<b>16</b>	<b>18</b>	<b>20</b>	<b>22</b>	<b>24</b>																																											
<b>Rubber Spacer Pad</b>	Omit if not required <b>P</b> Supplied with optional rubber spacer pad (fig. 1)																																																			



Shell Size	A		D		E		G		H		J		
	Thread	Max	Hex Flats	Hex Flats	Max	Max	Max	Max	Max	± .015 (0.4)			
	UNE-F-2B	In.	mm.	In.	mm.	In.	mm.	In.	mm.	In.	mm.		
8, 9	0.4375-28	.86	21.8	.750	19.1	1.28	32.5	1.22	31.0	1.14	29.0	.140	3.6
10, 11	0.5625-24	.98	24.9	.875	22.4	1.28	32.5	1.29	32.8	1.14	29.0	.270	6.9
12, 13	0.6875-24	1.16	29.5	1.000	25.4	1.44	36.6	1.62	41.1	1.14	29.0	.390	9.9
14, 15	0.8125-20	1.28	32.5	1.125	28.6	1.51	38.4	1.66	42.2	1.64	41.7	.512	13.0
16, 17	0.9375-20	1.41	35.8	1.250	31.8	1.51	38.4	1.72	43.7	1.64	41.7	.637	16.2
18, 19	1.0625-18	1.52	38.6	1.375	34.9	1.57	39.9	1.72	43.7	1.74	44.2	.757	19.2
20, 21	1.1875-18	1.64	41.7	1.500	38.1	1.71	43.4	1.79	45.5	1.74	44.2	.881	22.4
22, 23	1.3125-18	1.77	45.0	1.625	41.3	1.83	46.5	1.85	47.0	1.74	44.2	1.006	25.6
24, 25	1.4375-18	1.89	48.0	1.750	44.5	1.95	51.0	1.91	48.5	1.95	49.5	1.131	28.7