

# Qwik-Ty® Strain Reliefs

for MIL-DTL-28840 Connectors

## 450G\*001 Qwik-Ty Strain Relief



**Lightweight, rugged, economical.** 450G\*001 Qwik-Ty® strain relief fits MIL-DTL-28840 connectors. Spin coupling. Secure wire bundle with plastic strap or lacing tape (not included). Coupling nut has safety wire holes. Aluminum alloy.

**Adapter Code** **G**

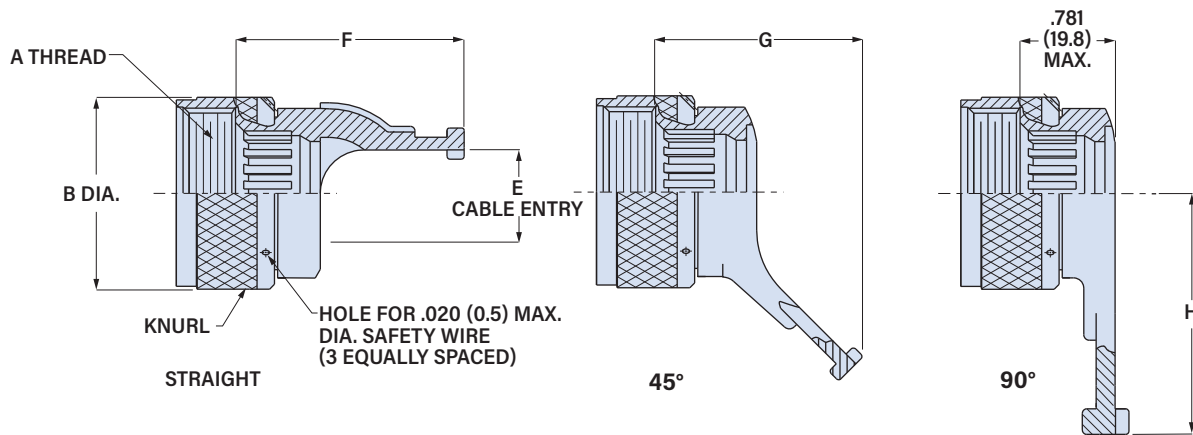
This accessory fits MIL-DTL-28840 connectors

**PART NUMBER**

**450GS001 TZ 15**

Base P/N	<b>450GS001</b> Straight
	<b>450GA001</b> 90°
	<b>450GB001</b> 45°
Finish	<b>C</b> Black Anodize
	<b>M</b> Electroless Nickel
	<b>NF</b> Olive Drab Cadmium
	<b>MT</b> Nickel-PTFE
	<b>ZR</b> Black Zinc-Nickel
	<b>TZ</b> Tin-Zinc

Size Code	Shell Size	11	13	15	17	19	23	25	29	33
		A	B	C	D	E	F	G	H	J
	Size Code	<b>11</b>	<b>13</b>	<b>15</b>	<b>17</b>	<b>19</b>	<b>23</b>	<b>25</b>	<b>N/A</b>	<b>N/A</b>



Shell Size	A Thread	øB Max.		F Max.		E ± .015 (0.4)		G Max.		H Max.	
		In.	mm.	In.	mm.	In.	mm.	In.	mm.	In.	mm.
A (11)	M12X1.0-6H	.94	23.9	1.226	31.1	.362	9.2	.896	22.8	1.094	27.8
B (13)	M15X1.0-6H	1.02	25.9	1.396	35.5	.497	12.6	1.076	27.3	1.348	34.2
C (15)	M18X1.0-6H	1.21	30.7	1.396	35.5	.642	16.3	1.076	27.3	1.411	35.8
D (17)	M22X1.0-6H	1.36	34.5	1.596	40.5	.739	18.8	1.071	27.2	1.684	42.8
E (19)	M25X1.0-6H	1.53	38.9	1.726	43.8	.871	22.1	1.071	27.2	1.870	47.5
F (23)	M28X1.0-6H	1.73	43.9	1.856	47.1	1.068	27.1	1.131	28.7	1.928	49.0
G (25)	M31X1.0-6H	1.82	46.2	1.894	48.1	1.200	30.5	1.170	29.7	1.928	49.0