

Qwik-Ty® Strain Reliefs

for MIL-DTL-38999 Series I and II Connectors

450F*030 Qwik-Ty Strain Relief, Composite, with Ground Lug

Self-Locking



Lightweight, self-locking, ground lug. 450F*030 Qwik-Ty® strain relief fits MIL-DTL-38999 Series I and II connectors. Metallized composite Qwik-Ty has ground lug for attaching a ring terminal with #4 screw. Anti-decoupling mechanism provides audible detented coupling and prevents backoff under high vibration. Secure wire bundle with plastic strap or lacing tape (not included). High performance composite thermoplastic material.

Adapter Code F

This accessory fits these connectors:
MIL-DTL-38999 Series I and Series II

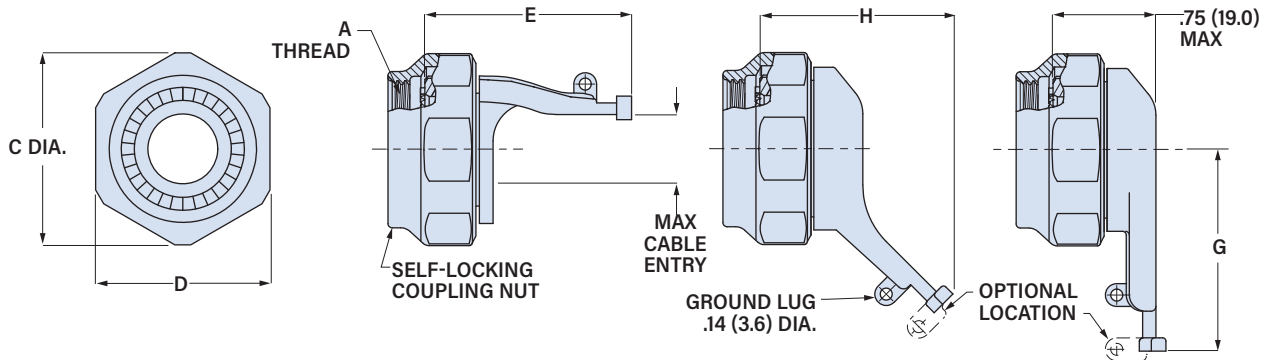
PART NUMBER

450FS030 XM 18

Base P/N
450FS030 Straight
450FA030 90°
450FB030 45°

Finish
XM Electroless Nickel
XMT Nickel-PTFE
XW Olive Drab Cadmium
XZN Black Zinc-Nickel

Size Code	Shell Size											
	Series I										Series II	
	9	11	13	15	17	19	21	23	25	8	10	
	08	10	12	14	16	18	20	22	24			



Shell Size	A		D		E Max		G Max		H Max		Max Cable Entry			
	Thread	UNEF-2B	øC Max	Hex Flats	In.	mm.	In.	mm.	In.	mm.	In.	mm.		
8, 9	0.4375-28		.86	21.8	.750	19.1	1.14	29.0	1.22	31.0	1.14	29.0	.25	6.4
10, 11	0.5625-24		.98	24.9	.875	22.4	1.14	29.0	1.29	32.8	1.14	29.0	.38	9.7
12, 13	0.6875-24		1.16	29.5	1.000	25.4	1.20	30.5	1.62	41.1	1.14	29.0	.50	12.7
14, 15	0.8125-20		1.28	32.5	1.125	28.6	1.38	35.1	1.66	42.2	1.64	41.7	.63	16.0
16, 17	0.9375-20		1.41	35.8	1.250	31.8	1.38	35.1	1.72	43.7	1.64	41.7	.75	19.1
18, 19	1.0625-18		1.52	38.6	1.375	34.9	1.44	36.6	1.72	43.7	1.74	44.2	.81	21.8
20, 21	1.1875-18		1.64	41.7	1.500	38.1	1.57	39.9	1.79	45.5	1.74	44.2	.94	23.9
22, 23	1.3125-18		1.77	45.0	1.625	41.3	1.69	42.9	1.85	47.0	1.74	44.2	1.06	26.9
24, 25	1.4375-18		1.89	48.0	1.750	44.5	1.83	46.5	1.91	48.5	1.95	49.5	1.19	30.2