



Qwik-Ty® Strain Reliefs

for AS50151 Crimp, M26482 Series II, M83723 Series III, AS95234

450A*030 Qwik-Ty Strain Relief, Composite, with Ground Lug



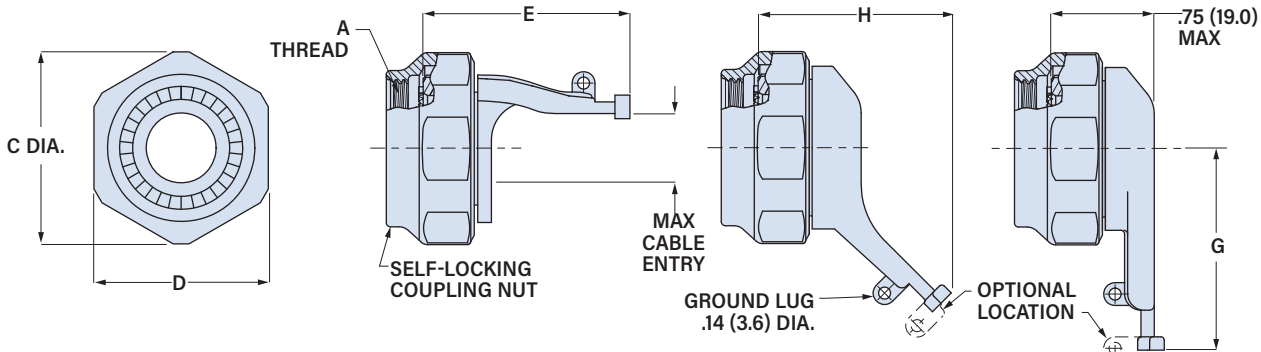
Self-Locking

Lightweight, self-locking, ground lug. 450A*030 Qwik-Ty® strain relief fits AS50151 crimp, AS95234, MIL-DTL-26482 Series II, MIL-DTL-83723 Series III connectors. Metallized composite Qwik-Ty has ground lug for attaching a ring terminal with #4 screw. Anti-decoupling mechanism provides audible detented coupling and prevents backoff under high vibration. Secure wire bundle with plastic strap or lacing tape (not included). High performance composite thermoplastic material.

Adapter Code **A**
 AS50151 crimp, AS95234, MIL-DTL-26482 Ser. II, MIL-DTL-83723 Ser. III

PART NUMBER

	450AS030	XM	18
Base P/N	450AS030 Straight 450AA030 90° 450AB030 45°		
Finish	XM Electroless Nickel XMT Nickel-PTFE XW Olive Drab Cadmium XZN Black Zinc-Nickel		
Shell Size	08 10 12 14 16 18 20 22 24 28* <i>*Size 28 not available with 45° profileW</i>		



Shell Size	A Thread Class 2B	øC Max		D Hex Flats		E Max		G Max		H Max		Max Cable Entry	
		In.	mm.	In.	mm.	In.	mm.	In.	mm.	In.	mm.	In.	mm.
08	0.500-20 UNF	.86	21.8	.750	19.1	1.14	29.0	1.22	31.0	1.14	29.0	.25	6.4
10	0.625-24 UNEF	.98	24.9	.875	22.4	1.14	29.0	1.29	32.8	1.14	29.0	.38	9.7
12	0.750-20 UNEF	1.16	29.5	1.000	25.4	1.20	30.5	1.62	41.1	1.14	29.0	.50	12.7
14	0.875-20 UNEF	1.28	32.5	1.125	28.6	1.38	35.1	1.66	42.2	1.64	41.7	.63	16.0
16	1.000-20 UNEF	1.41	35.8	1.250	31.8	1.38	35.1	1.72	43.7	1.64	41.7	.75	19.1
18	1.0625-18 UNEF	1.52	38.6	1.375	34.9	1.44	36.6	1.72	43.7	1.74	44.2	.81	21.8
20	1.1875-18 UNEF	1.64	41.7	1.500	38.1	1.57	39.9	1.79	45.5	1.74	44.2	.94	23.9
22	1.3125-18 UNEF	1.77	45.0	1.625	41.3	1.69	42.9	1.85	47.0	1.74	44.2	1.06	26.9
24	1.4375-18 UNEF	1.89	48.0	1.750	44.5	1.83	46.5	1.91	48.5	1.95	49.5	1.19	30.2
28	1.750-18 UNS	2.16	54.9	2.000	50.8	1.99	50.5	2.07	52.6	N/A	N/A	1.38	35.1