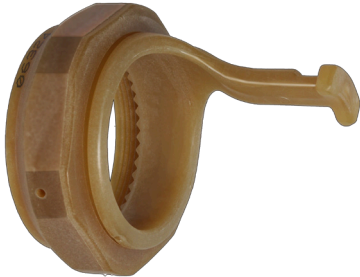


# Qwik-Ty® Strain Reliefs

for AS50151 Crimp, M26482 Series II, M83723 Series III, AS95234

## 450A\*029 Qwik-Ty Strain Relief, Composite

**Self-Locking**



**Lightweight, self-locking, corrosion-proof.** 450A\*029 composite Qwik-Ty® clamps fit AS50151 crimp, AS95234, MIL-DTL-26482 Ser. II, MIL-DTL-83723 Ser. III connectors. High performance glass-reinforced material meets AS85049 requirements. Anti-decoupling mechanism provides audible detented coupling and prevents backoff under high vibration. Secure wire bundle with plastic strap or lacing tape (not included). Straight, 45° or 90°. Polyetherimide material with thermoplastic anti-decoupling spring.

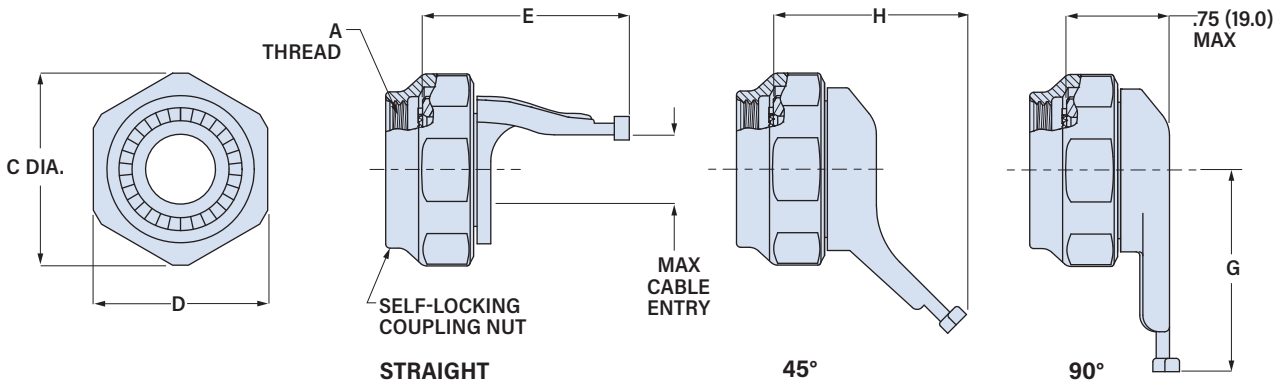
**Adapter Code A**

AS50151 crimp, AS95234, MIL-DTL-26482 Ser. II, MIL-DTL-83723 Ser. III

**PART NUMBER**

**450AS029 XO 18**

<b>Base P/N</b>	<b>450AS029</b> Straight <b>450AA029</b> 90° <b>450AB029</b> 45°
<b>Finish</b>	<b>XB</b> No Plating, Color Black <b>XO</b> No Plating, Color Brown <b>XM</b> Electroless Nickel <b>XMT</b> Nickel-PTFE <b>XW</b> Olive Drab Cadmium <b>XZN</b> Black Zinc-Nickel
<b>Shell Size</b>	<b>08 10 12 14 16 18 20 22 24 28*</b> *Size 28 available straight and 90° only



Shell Size	A Thread Class 2B	øC Max		D Hex Flats		E Max		G Max		H Max		Max Cable Entry	
		in.	mm.	in.	mm.	in.	mm.	in.	mm.	in.	mm.	in.	mm.
<b>08</b>	0.500-20 UNF	.86	21.8	.750	19.1	1.14	29.0	1.22	31.0	1.14	29.0	.25	6.4
<b>10</b>	0.625-24 UNEF	.98	24.9	.875	22.4	1.14	29.0	1.29	32.8	1.14	29.0	.38	9.7
<b>12</b>	0.750-20 UNEF	1.16	29.5	1.000	25.4	1.20	30.5	1.62	41.1	1.14	29.0	.50	12.7
<b>14</b>	0.875-20 UNEF	1.28	32.5	1.125	28.6	1.38	35.1	1.66	42.2	1.64	41.7	.63	16.0
<b>16</b>	1.000-20 UNEF	1.41	35.8	1.250	31.8	1.38	35.1	1.72	43.7	1.64	41.7	.75	19.1
<b>18</b>	1.0625-18 UNEF	1.52	38.6	1.375	34.9	1.44	36.6	1.72	43.7	1.74	44.2	.81	21.8
<b>20</b>	1.1875-18 UNEF	1.64	41.7	1.500	38.1	1.57	39.9	1.79	45.5	1.74	44.2	.94	23.9
<b>22</b>	1.3125-18 UNEF	1.77	45.0	1.625	41.3	1.69	42.9	1.85	47.0	1.74	44.2	1.06	26.9
<b>24</b>	1.4375-18 UNEF	1.89	48.0	1.750	44.5	1.83	46.5	1.91	48.5	1.95	49.5	1.19	30.2
<b>28</b>	1.750-18 UNS	2.16	54.9	2.000	50.8	1.99	50.5	2.07	52.6	N/A	N/A	1.38	35.1