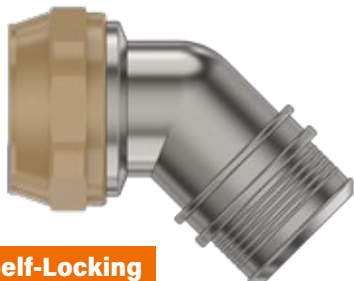


Series 44 Banding Backshells

for MIL-DTL-38999 Series III and IV Connectors

447H*325 Banding Backshell, Composite, Shrink Boot



Self-Locking

Adapter Code H

This accessory fits these connectors:
MIL-DTL-38999 Series III and Series IV

TABLE 1: ENTRY SIZE

Entry Size	Cable Entry ±.03(0.8) in	Shell Sizes	Entry Size	Cable Entry ±.03(0.8) in	Shell Sizes
03	.19	4.8 09-25	12	.75	19.1 17-25
04	.25	6.4 09-25	13	.81	20.6 19-25
05	.31	7.9 11-25	14	.88	22.4 21-25
06	.38	9.7 11-25	15	.94	23.9 21-25
07	.44	11.2 13-25	16	1.00	25.4 23-25
08	.50	12.7 13-25	17	1.06	26.9 23-25
09	.56	14.2 15-25	18	1.13	28.7 25
10	.63	16.0 15-25	19	1.19	30.2 25
11	.69	17.5 17-25			

BAND

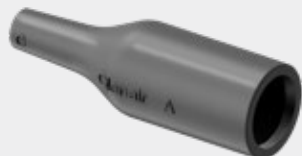
Optional SST band strap provides fast, cost-effective and highly reliable termination of braided metallic shielding.



Std. Band 601-041

SHRINK BOOT

Optional heatshrink boot provides cable strain relief and environmental protection. Type 1 high-performance semi-rigid elastomer resists fuels and oils. Operating temperature range -75 to +150 °C.



Composite. Banding. Self-locking. 447H*325 banding backshell fits MIL-DTL-38999 Series III and IV connectors. Lightweight, corrosion-free composite material meets AS85049 requirements. Anti-decoupling mechanism provides audible detented coupling and prevents backoff under high vibration. Terminate cable braid shield to backshell with optional band strap. Optional shrink boot adds strain relief and environmental protection. Glass-reinforced thermoplastic.

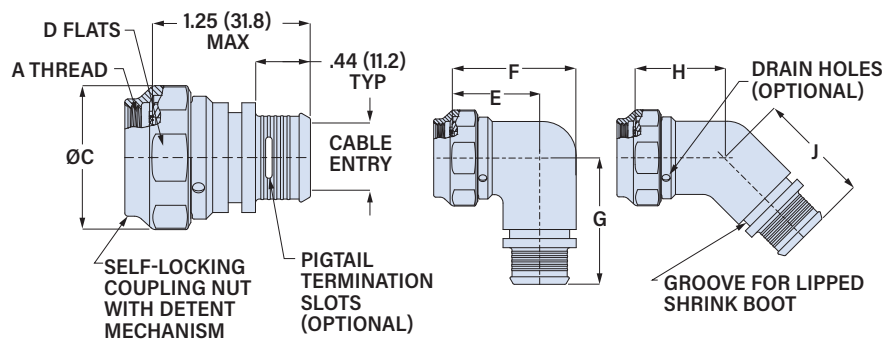
PART NUMBER

	447HS325	XM	17	12	D	K	T	S		
Base P/N	Base Part No.	Profile								
	447HS325	S	Straight							
	447HT325	T	45°							
Finish	447HW325	W	90°							
	XM	Electroless Nickel								
	XMT	Nickel-PTFE								
	XW	Olive Drab Cadmium								
	XTZ	Tin-Zinc								
<i>Coupling nut is unplated.</i>										
Shell Size	Shell Size	9	11	13	15	17	19	21	23	25
	Size Code	09	11	13	15	17	19	21	23	25
Entry Size	See Table 1									
Drain Holes	Omit if not required									
	D	Drain Holes								
Band	Omit if not required									
	K	Pre-Coiled Band Included With Backshell								
Shrink Boot	Omit if not required									
	T	Shrink Boot Included With Backshell								
Slot	Omit if not required									
	S	Pigtail Termination Slots								

S Straight

W 90°

T 45°



Shell Size	A Thread	øB Max in	D Flats in	E ±.06(1.5) in	F ±.09(2.3) in	G ±.09(2.3) in	H ±.06(1.5) in	J ±.06(1.5) in	Max Entry Size							
9 (A)	M12X1.0-6H	.86	21.8	.75	19.1	.69	17.5	.88	22.4	1.19	30.2	.72	18.3	1.00	25.4	04
11 (B)	M15X1.0-6H	.98	24.9	.88	22.4	.75	19.1	1.00	25.4	1.25	31.8	.75	19.1	1.06	26.9	06
13 (C)	M18X1.0-6H	1.16	29.5	1.00	25.4	.81	20.6	1.13	28.7	1.31	33.3	.75	19.1	1.13	28.7	08
15 (D)	M22X1.0-6H	1.28	32.5	1.13	28.7	.88	22.4	1.31	33.3	1.38	35.1	.76	19.3	1.16	29.5	10
17 (E)	M25X1.0-6H	1.41	35.8	1.25	31.8	.94	23.9	1.38	35.1	1.44	36.6	.78	19.8	1.18	30.0	12
19 (F)	M28X1.0-6H	1.52	38.6	1.38	35.1	.97	24.6	1.44	36.6	1.47	37.3	.79	20.1	1.19	30.2	13
21 (G)	M31X1.0-6H	1.64	41.7	1.50	38.1	1.06	26.9	1.63	41.4	1.56	39.6	.82	20.8	1.22	31.0	15
23 (H)	M34X1.0-6H	1.77	45.0	1.63	41.4	1.13	28.7	1.75	44.5	1.63	41.4	.86	21.8	1.26	32.0	17
25 (J)	M37X1.0-6H	1.89	48.0	1.75	44.5	1.19	30.2	1.88	47.8	1.69	42.9	.89	22.6	1.29	32.8	19