



Series 44 Banding Backshells

for MIL-DTL-38999 Series I and II Connectors

447FS523 Banding/ Overmolding Adapter



Low Profile. Micro band. Environmental. 447FS523 banding/overmolding adapter fits MIL-DTL-38999 Series I and II connectors. Terminate cable braid shield to adapter with .125" width micro band (sold separately). Aluminum or stainless steel, silicone O-ring.

Adapter Code F

This accessory fits these connectors:
MIL-DTL-38999 Series I and Series II

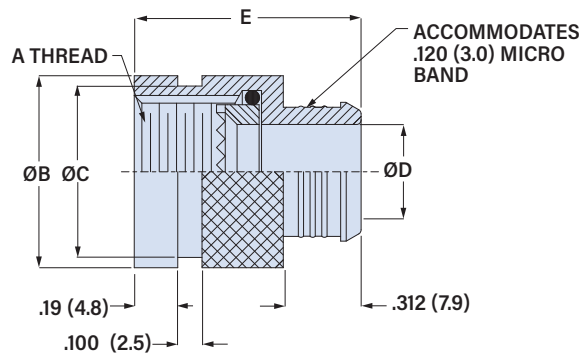
BAND

Terminate cable braid to adapter with banding strap. Glenair's Band-Master ATS® banding system provides quick, easy, cost-effective and highly reliable termination of braid shield. Stainless steel.

Micro Band **Hand Tool 601-101**

Pre-Coiled Band P/N	Length	Max. Dia.
601-061	8.13 (206)	.88 (22.4)
601-065	14.25 (362)	1.80 (45.7)

PART NUMBER		447FS523	M	18						
Base P/N	447FS523									
Material/Finish	M	Alum/ Electroless Nickel								
	MT	Alum/ Nickel-PTFE								
	NF	Alum/ Olive Drab Cadmium								
	ZR	Alum/ Black Zinc-Nickel								
	TZ	Alum/ Tin-Zinc								
ZI	SST/ Passivated									
Shell Size	Shell Size									
	38999 Series I	9	11	13	15	17	19	21	23	25
38999 Series II	8	10	12	14	16	18	20	22	24	
	Size Code	08	10	12	14	16	18	20	22	24



Shell Size	A Thread UNEF-2B	ØB		ØC		ØD		E ±.03 (0.8)	
		± .015 (0.4) in	mm	± .005 (0.1) in	mm	± .015 (0.4) in	mm	in	mm
8/9	0.4375-28	.562	14.3	.500	12.7	.250	6.4	.750	19.1
10/11	0.5625-24	.688	17.5	.625	15.9	.375	9.5	.750	19.1
12/13	0.6875-24	.812	20.6	.750	19.1	.500	12.7	.750	19.1
14/15	0.8125-20	.938	23.8	.875	22.2	.625	15.9	.750	19.1
16/17	0.9375-20	1.062	27.0	1.000	25.4	.750	19.1	.750	19.1
18/19	1.0625-18	1.188	30.2	1.125	28.6	.875	22.2	.750	19.1
20/21	1.1875-18	1.312	33.3	1.250	31.8	1.000	25.4	.750	19.1
22/23	1.3125-18	1.438	36.5	1.375	34.9	1.125	28.6	.750	19.1
24/25	1.4375-18	1.562	39.7	1.500	38.1	1.250	31.8	.750	19.1