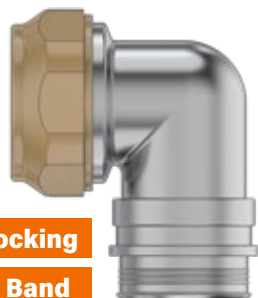


Series 44 Banding Backshells

for MIL-DTL-38999 Series I and II Connectors

447F*326 Banding Backshell, Composite, Shrink Boot, Micro Band



Self-Locking

Micro Band

Adapter Code F

This accessory fits these connectors:
MIL-DTL-38999 Series I and Series II

TABLE 1: ENTRY SIZE

Entry Size	Cable Entry		øL		øM		Shell Sizes
	±.03 (0.8) in	mm	±.015 (0.4) in	mm	±.015 (0.4) in	mm	
02	.13	3.3	.250	6.4	.386	9.8	08-24
03	.19	4.8	.316	8.0	.452	11.5	08-24
04	.25	6.4	.382	9.7	.510	13.0	08-24
05	.31	7.9	.448	11.4	.584	14.8	10-24
06	.38	9.7	.515	13.1	.651	16.5	10-24
07	.44	11.2	.582	14.8	.718	18.2	12-24
08	.50	12.7	.647	16.4	.783	19.9	12-24
09	.56	14.2	.713	18.1	.849	21.6	14-24
10	.63	16.0	.780	19.8	.916	23.3	14-24
11	.69	17.5	.847	21.5	.983	25.0	16-24
12	.75	19.1	.913	23.2	1.049	26.6	16-24
13	.81	20.6	.979	24.9	1.115	28.3	18-24
14	.88	22.4	1.054	26.8	1.190	30.2	20-24
15	.94	23.9	1.115	28.3	1.251	31.8	20-24
16	1.00	25.4	1.183	30.0	1.319	33.5	22-24
17	1.06	26.9	1.251	31.8	1.387	35.2	22-24
18	1.13	28.7	1.320	33.5	1.456	37.0	24
19	1.19	30.2	1.389	35.3	1.525	38.7	24

MICRO BAND

Optional SST band strap provides fast, cost-effective and highly reliable termination of braided metallic shielding.



Entry Sizes	Pre-Coiled Band P/N	Length
02 - 08	601-061	8.13 (206)
09 - 19	601-065	14.25 (362)

SHRINK BOOT

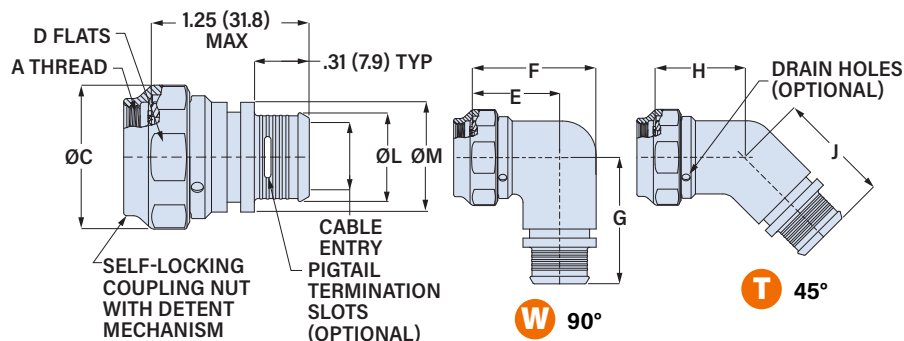
Optional heatshrink boot provides cable strain relief and environmental protection. Type 1 high-performance semi-rigid elastomer resists fuels and oils. Operating temperature range -75 to +150 °C.



Composite. Low profile Micro band. Self-locking. 447F*326 banding backshell fits MIL-DTL-38999 Series I and II connectors. Lightweight, corrosion-free composite material meets AS85049 requirements. Anti-decoupling mechanism provides audible detented coupling and prevents backoff under high vibration. Terminate cable braid shield to backshell with optional micro band strap. Optional shrink boot adds strain relief and environmental protection. Glass-reinforced thermoplastic.

PART NUMBER

447FS326		XM	18	10	D	K	T	S		
Base P/N	Base Part No.	Profile								
	447FS326	S	Straight							
	447FT326	T	45°							
	447FW326	W	90°							
Finish	XM	Electroless Nickel								
	XMT	Nickel-PTFE								
	XW	Olive Drab Cadmium								
	XTZ	Tin-Zinc								
Coupling nut is unplated.										
Shell Size	Shell Size									
	38999 Series I	9	11	13	15	17	19	21	23	25
	38999 Series II	8	10	12	14	16	18	20	22	24
Size Code		08	10	12	14	16	18	20	22	24
Entry Size	See Table 1									
Drain Holes	Omit if not required									
	D	Drain Holes								
Band	Omit if not required									
	K	Pre-Coiled Micro Band Included With Backshell								
Shrink Boot	Omit if not required									
	T	Shrink Boot Included With Backshell								
Slot	Omit if not required									
	S	Pigtail Termination Slots								



Shell Size	A Thread UNEF-2B	øB Max	D Hex Flats	E ±.06(1.5)	F ±.09(2.3)	G ±.09(2.3)	H ±.06(1.5)	J ±.09(2.3)	Max Entry Size
8/9	0.4375-28	.86 21.8	.750 19.1	.69 17.5	.88 22.4	1.06 26.9	.72 18.3	.87 22.1	04
10/11	0.5625-24	.98 24.9	.875 22.2	.75 19.1	1.00 25.4	1.13 28.7	.75 19.1	.93 23.6	06
12/13	0.6875-24	1.16 29.5	1.000 25.4	.81 20.6	1.13 28.7	1.19 30.2	.75 19.1	1.00 25.4	08
14/15	0.8125-20	1.28 32.5	1.125 28.6	.88 22.4	1.31 33.3	1.25 31.8	.76 19.3	1.03 26.2	10
16/17	0.9375-20	1.41 35.8	1.250 31.8	.94 23.9	1.38 35.1	1.31 33.3	.78 19.8	1.05 26.7	12
18/19	1.0625-18	1.52 38.6	1.375 34.9	.97 24.6	1.44 36.6	1.38 35.0	.79 20.1	1.06 26.9	13
20/21	1.1875-18	1.64 41.7	1.500 38.1	1.06 26.9	1.63 41.4	1.48 37.6	.82 20.8	1.09 27.7	15
22/23	1.3125-18	1.77 45.0	1.625 41.3	1.13 28.7	1.75 44.5	1.54 39.1	.86 21.8	1.13 28.7	17
24/25	1.4375-18	1.89 48.0	1.750 44.5	1.19 30.2	1.88 47.8	1.60 40.6	.89 22.6	1.16 29.5	19