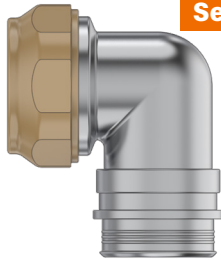




Series 44 Banding Backshells

for AS50151 Crimp, M26482 Series II, M83723 Series III, AS95234

447A*326 Banding Backshell, Composite, Shrink Boot, Micro Band



Self-Locking

Adapter Code A

AS50151 crimp, AS95234, MIL-DTL-26482 Ser. II, MIL-DTL-83723 Ser. III

TABLE 1: ENTRY SIZE

Entry Size	Cable Entry		øL		øM		Shell Sizes
	±.03 (0.8) in	mm	±.015 (0.4) in	mm	±.015 (0.4) in	mm	
02	.13	3.3	.250	6.4	.386	9.8	08-28
03	.19	4.8	.316	8.0	.452	11.5	08-28
04	.25	6.4	.382	9.7	.510	13.0	08-28
05	.31	7.9	.448	11.4	.584	14.8	10-28
06	.38	9.7	.515	13.1	.651	16.5	10-28
07	.44	11.2	.582	14.8	.718	18.2	12-28
08	.50	12.7	.647	16.4	.783	19.9	12-28
09	.56	14.2	.713	18.1	.849	21.6	14-28
10	.63	16.0	.780	19.8	.916	23.3	14-28
11	.69	17.5	.847	21.5	.983	25.0	16-28
12	.75	19.1	.913	23.2	1.049	26.6	16-28
13	.81	20.6	.979	24.9	1.115	28.3	18-28
14	.88	22.4	1.054	26.8	1.190	30.2	20-28
15	.94	23.9	1.115	28.3	1.251	31.8	20-28
16	1.00	25.4	1.183	30.0	1.319	33.5	22-28
17	1.06	26.9	1.251	31.8	1.387	35.2	22-28
18	1.13	28.7	1.320	33.5	1.456	37.0	24-28
19	1.19	30.2	1.389	35.3	1.525	38.7	24-28
20	1.25	31.8	1.457	37.0	1.593	40.5	28
22	1.38	35.1	1.588	40.3	1.724	43.8	28

BAND

Optional SST band strap provides fast, cost-effective and highly reliable termination of braided metallic shielding.



Entry Size	Pre-Coiled Band P/N	Length
02 - 08	601-061	8.13 (206)
09 - 22	601-065	14.25 (362)

SHRINK BOOT

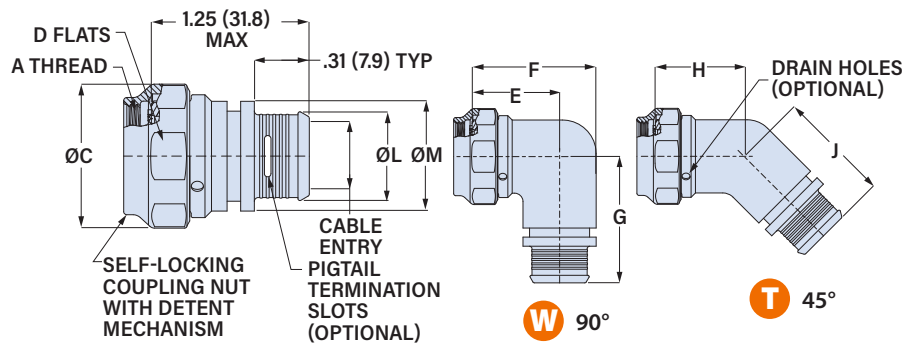
Optional heatshrink boot provides environmental protection and cable strain relief. Type 1 high-performance semi-rigid elastomer resists fuels and oils. Operating temperature range -75 to +150 °C.



Composite. Low profile Micro band. 447A*326 banding backshell fits AS50151 crimp (MS3450), AS95234, MIL-DTL-26482 Series II, MIL-DTL-83723 Series III connectors. Lightweight, corrosion-free composite material meets AS85049 requirements. Anti-decoupling mechanism provides audible detented coupling and prevents backoff under high vibration. Terminate cable braid shield to backshell with optional .120" width micro band strap. Optional shrink boot adds strain relief and environmental protection. Glass-reinforced thermoplastic.

PART NUMBER

	447AS326	XM	18	10	D	K	T	S
Base P/N	Base Part No.	Profile						
	447AS326	S	Straight					
	447AT326	T	45°					
	447AW326	W	90°					
Finish	XM	Electroless Nickel						
	XMT	Nickel-PTFE						
	XW	Olive Drab Cadmium						
	XTZ	Tin-Zinc						
	Coupling nut is unplated.							
Shell Size	08 10 12 14 16 18 20 22 24 28							
Entry Size	See Table 1							
Drain Holes	Omit if not required							
	D	Drain Holes						
Band	Omit if not required							
	K	Pre-Coiled Band Included With Backshell						
Shrink Boot	Omit if not required							
	T	Shrink Boot Included With Backshell						
Slot	Omit if not required							
	S	Pigtail Termination Slots						



Shell Size	A		D		E		F		G		H		J		Max Entry Size	
	Thread Class 2B	øC Max	Hex in	Flats mm	±.06(1.5) in	±.09(2.3) mm	±.09(2.3) in	±.06(1.5) mm	±.09(2.3) in	±.06(1.5) mm	±.09(2.3) in	±.06(1.5) mm	±.09(2.3) in			
08	0.500-20 UNF	.86	21.8	.750	19.1	.69	17.5	.88	22.4	1.06	26.9	.72	18.3	.87	22.1	04
10	0.625-24 UNEF	.98	24.9	.875	22.2	.75	19.1	1.00	25.4	1.13	28.7	.75	19.1	.93	23.6	06
12	0.750-20 UNEF	1.16	29.5	1.000	25.4	.81	20.6	1.13	28.7	1.19	30.2	.75	19.1	1.00	25.4	08
14	0.875-20 UNEF	1.28	32.5	1.125	28.6	.88	22.4	1.31	33.3	1.25	31.8	.76	19.3	1.03	26.2	10
16	1.000-20 UNEF	1.41	35.8	1.250	31.8	.94	23.9	1.38	35.1	1.31	33.3	.78	19.8	1.05	26.7	12
18	1.0625-18 UNEF	1.52	38.6	1.375	34.9	.97	24.6	1.44	36.6	1.38	35.0	.79	20.1	1.06	26.9	13
20	1.1875-18 UNEF	1.64	41.7	1.500	38.1	1.06	26.9	1.63	41.4	1.48	37.6	.82	20.8	1.09	27.7	15
22	1.3125-18 UNEF	1.77	45.0	1.625	41.3	1.13	28.7	1.75	44.5	1.54	39.1	.86	21.8	1.13	28.7	17
24	1.4375-18 UNEF	1.89	48.0	1.750	44.5	1.19	30.2	1.88	47.8	1.60	40.6	.89	22.6	1.16	29.5	19
28	1.750-18 UNS	2.15	54.6	2.000	50.8	1.34	34.0	2.13	54.1	1.70	43.2	.92	23.4	1.19	30.2	22