

Series 44 Banding Backshells

for Series 806 Mil-Aero Connectors

443V*042 Banding Backshell, Shrouded, Expanded Clearance

Self-Locking



Prevents *splaying of size 8 twinax, quadax and octaxial contacts. Environmental. "Band-in-a-Can" shield termination. Saddle clamp.* 443V*042 banding backshell fits Glenair Series 806 Mil-Aero connectors. Backshell has increased clearance for sealing boots used with size 8 contacts. 45° and 90° profiles have large radius elbows for minimized bending of data cables. Anti-decoupling mechanism provides audible detented coupling and prevents backoff under high vibration. Terminate cable braid shield with band strap (optional). Environmentally sealed with O-rings. Aluminum or stainless steel. Saddle clamp hardware is passivated SST. Silicone O-rings and grommet. Aluminum version has thermoplastic detent spring, stainless steel version has stainless steel detent spring.

Adapter Code V

This accessory fits Glenair Series 806 MilAero Connectors

PROFILE SELECTION GUIDE

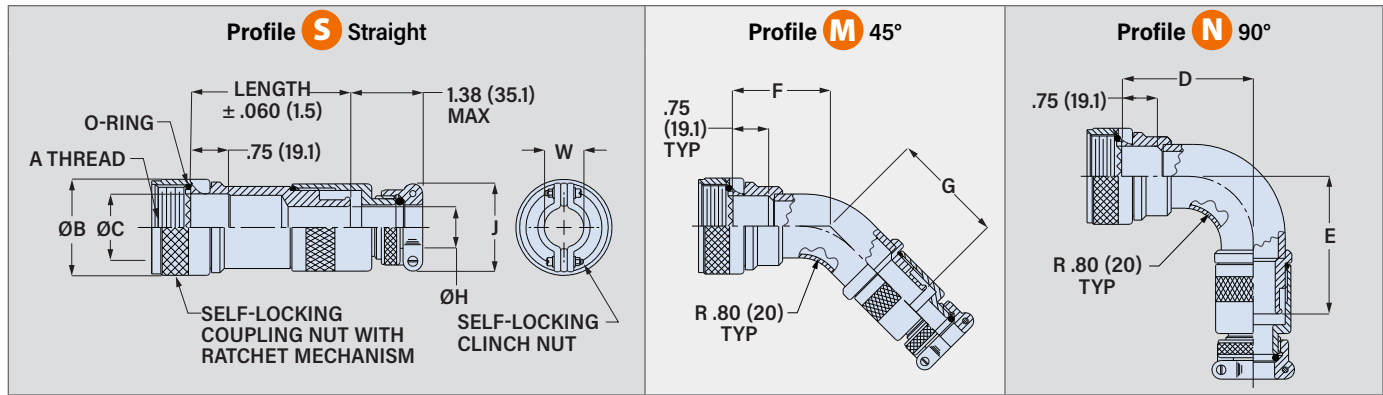
S Straight	M 45°	N 90°

PART NUMBER		443VS042	ME	12	04	-8	K	P
Base P/N	Base Part No.	Profile						
	443VS042	S Straight						
	443VM042	M 45°						
	443VN042	N 90°						
Material / Finish	ME	Aluminum / Electroless Nickel						
	MT	Aluminum / Nickel-PTFE						
	NF	Aluminum / Olive Drab Cadmium						
	ZR	Aluminum / Black Zinc-Nickel						
	TZ	Aluminum / Tin-Zinc						
	ZI	Stainless Steel / Passivated						
Shell Size	07 08 09 10 11 12 14 16 18 20 22 24							
Entry Size	Size		Cable Range		Shell Sizes			
			Min	Max				
	01	.125 (3.2)	.250 (6.4)	7-24				
	02	.188 (4.8)	.375 (9.5)	10-24				
	03	.312 (7.9)	.438 (11.1)	11-24				
	04	.343 (8.7)	.500 (12.7)	12-24				
	05	.438 (11.1)	.625 (15.9)	16-24				
	06	.562 (14.3)	.750 (19.1)	18-24				
	07	.688 (17.5)	.875 (22.2)	20-24				
	08	.812 (20.6)	1.000 (25.4)	22-24				
09	.938 (23.8)	1.125 (28.6)	24					
Length	-8	2.0 in.	<i>Length in ¼ inch increments, 2 inch min. Length Code applies to Profile S only. Omit for 45° and 90° profiles.</i>					
	-10	2.5 in.						
	-12	3.0 in.						
	-14	3.5 in.						
Band	<i>Omit if not required</i>							
	K	Pre-Coiled Band Included						
Polysulfide	<i>Omit if not required. Applies to Plating Codes NF, ZR, TZ only.</i>							
	P	Nickel Plated Shield Termination Area with Polysulfide Barrier						

Series 44 Banding Backshells

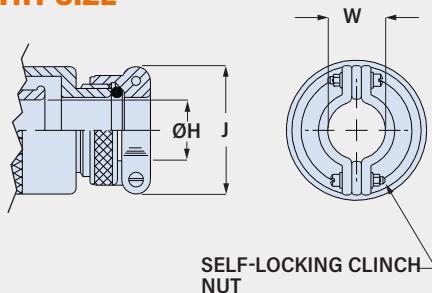
for Series 806 Mil-Aero Connectors

443V*042 Banding Backshell, Shrouded, Expanded Clearance



Shell Size	A Thread ISO Metric	øB Max. in	øB Max. mm	øC ±.005 (0.1) in	øC ±.005 (0.1) mm	D Max. in	D Max. mm	E Max. in	E Max. mm	F Max. in	F Max. mm	G Max. in	G Max. mm	Max. Entry Size
07	M8 x 1.0-6H	.640	16.3	.209	53.1	1.893	48.1	1.903	48.3	1.433	36.4	1.443	36.7	01
08	M10 x 1.0-6H	.710	18.0	.269	6.8	1.893	48.1	1.903	48.3	1.433	36.4	1.443	36.7	01
09	M12 x 1.0-6H	.780	19.8	.346	8.8	1.893	48.1	1.903	48.3	1.433	36.4	1.443	36.7	01
10	M14 x 1.0-6H	.880	22.4	.410	10.4	1.955	49.7	1.965	49.9	1.460	37.1	1.470	37.3	02
11	M15 x 1.0-6H	.920	23.4	.471	12.0	1.955	49.7	1.965	49.9	1.460	37.1	1.470	37.3	02
12	M17 x 1.0-6H	1.000	25.4	.539	13.7	2.107	53.5	2.117	53.8	1.485	37.7	1.495	38.0	04
14	M19 x 1.0-6H	1.090	27.7	.592	15.0	2.107	53.5	2.117	53.8	1.485	37.7	1.495	38.0	04
16	M22 x 1.0-6H	1.210	30.7	.740	18.8	2.170	55.1	2.180	55.4	1.541	39.1	1.551	39.4	05
18	M25 x 1.0-6H	1.330	33.8	.856	21.7	2.275	57.8	2.285	58.0	1.580	40.1	1.590	40.4	06
20	M28 x 1.0-6H	1.450	36.8	.980	24.9	2.338	59.4	2.348	59.6	1.606	40.8	1.616	41.0	07
22	M31 x 1.0-6H	1.570	39.9	1.070	27.2	2.399	60.9	2.409	61.2	1.588	40.3	1.598	40.6	08
24	M34 x 1.0-6H	1.700	43.2	1.214	30.8	2.420	61.5	2.430	61.7	1.610	40.9	1.620	41.1	09

ENTRY SIZE



Entry Size	Cable Range		J Max. in	J Max. mm	W Closed		ø H		Shell Sizes		
	Min. in	Max. mm			in	mm	in	mm			
01	.125	3.2	.250	6.4	1.05	26.7	.264	6.7	.25	6.4	8-24
02	.188	4.8	.375	9.5	1.20	30.5	.344	8.7	.37	9.4	10-24
03	.312	7.9	.438	11.1	1.30	33.0	.460	11.7	.43	10.9	11-24
04	.343	8.7	.500	12.7	1.44	36.6	.545	13.8	.50	12.7	12-24
05	.438	11.1	.625	15.9	1.69	42.9	.698	17.7	.62	15.7	16-24
06	.562	14.3	.750	19.1	1.77	45.0	.780	19.8	.75	19.1	18-24
07	.688	17.5	.875	22.2	2.12	53.8	.950	24.1	.87	22.1	20-24
08	.812	20.6	1.000	25.4	2.50	63.5	1.015	25.8	1.00	25.4	22-24
09	.938	23.8	1.125	28.6	2.62	66.5	1.187	30.1	1.12	28.4	24

BAND

Optional SST band strap provides fast, cost-effective and highly reliable termination of braided metallic shielding.

The Band-Master ATS® Advanced Cable Shield Termination System provides excellent static loading and corrosion resistance in electrical wire interconnect systems.



Band 601-041

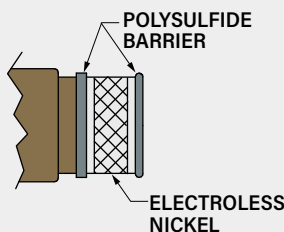


Banding Tool 601-100

POLYSULFIDE

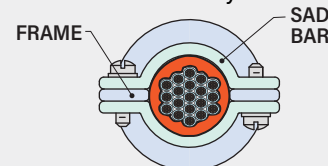
Optional selective electroless nickel plating on shield termination area and polysulfide dielectric barrier prevents galvanic mismatch between nickel-coated braid shield and backshell.

⚠ Plating codes NF, ZR and TZ only



APPLICATION NOTE

This backshell has a full radius saddle clamp. This type of strain relief is designed to be fully closed. Saddle bars should be bottomed onto frame. Build up cable diameter with tape or sleeve to meet the diameter of the fully closed clamp.



FULL RADIUS SADDLE CLAMP
SADDLE BARS SHOULD BE FULLY BOTTOMED ONTO FRAME.