

# Series 44 Banding Backshells

for MIL-DTL-38999 Series III and IV Connectors

## 443H\*042 Banding Backshell, Shrouded, Expanded Clearance

**Self-Locking**

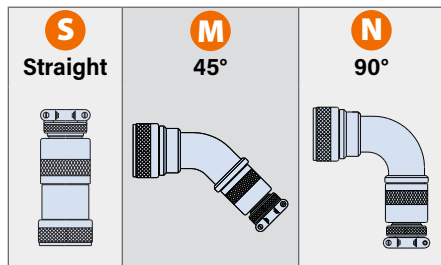


**Prevents splaying of size 8 twinax, quadrax and octaxial contacts. Environmental. "Band-in-a-Can" shield termination. Saddle clamp.** 443H\*042 banding backshell fits MIL-DTL-38999 Series III and IV connectors. Backshell has increased clearance for D38999/62 sealing boot used with size 8 data contacts. Optional organizer bushing provides additional protection against contact splay. 45° and 90° profiles have large radius elbows for minimized bending of data cables. Anti-decoupling mechanism provides audible detented coupling and prevents backoff under high vibration. Terminate cable braid shield with band strap (optional). Environmentally sealed with O-rings. Aluminum or stainless steel. Saddle clamp hardware is passivated SST. Silicone O-rings and grommet. Aluminum version has thermoplastic detent spring, stainless steel version has stainless steel detent spring.

**Adapter Code** **H**

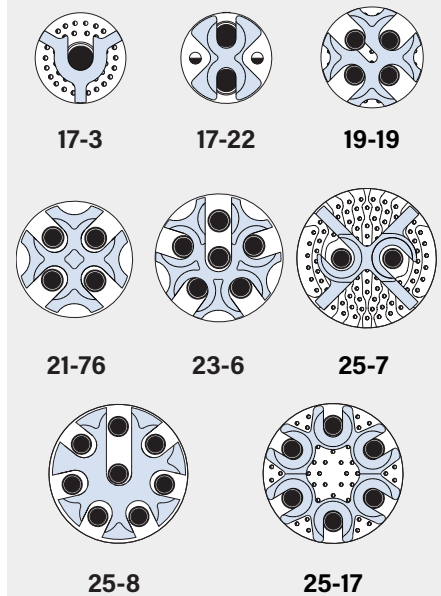
This accessory fits these connectors:  
MIL-DTL-38999 Series III and Series IV

### PROFILE SELECTION GUIDE



### ORGANIZER BUSHING

Optional organizer bushing provides additional protection against contact splay and mating damage. Bushing fits MIL-DTL-38999/62 sealing boots. PEI thermoplastic, black.



### PART NUMBER

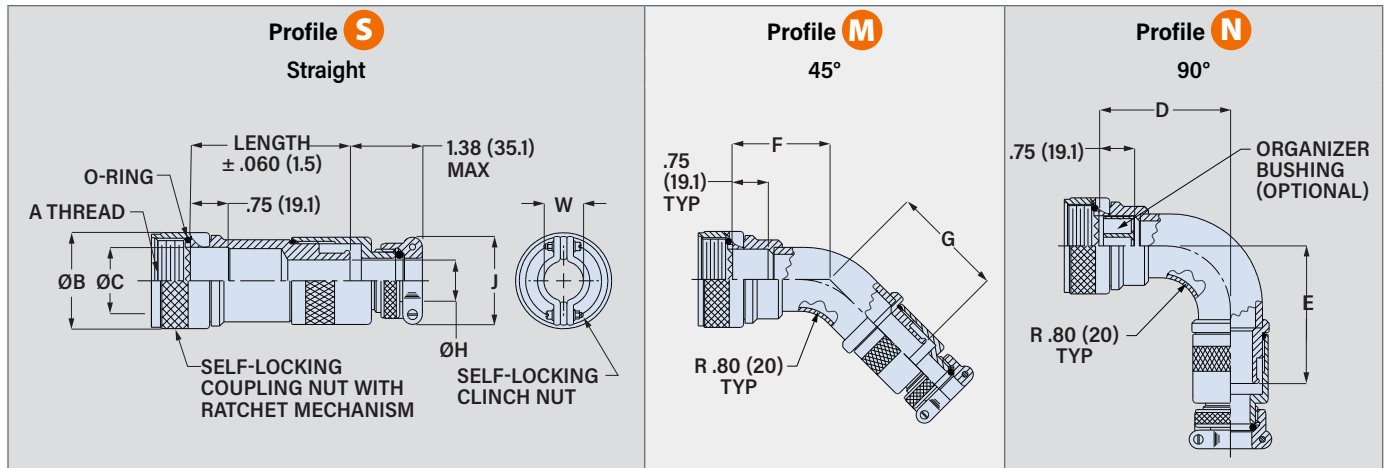
**443HS042 M 19 06 -4 K P**

<b>Base P/N</b>	Base Part No.	Profile			
	<b>443HS042</b> <b>S</b>	Straight			
	<b>443HM042</b> <b>M</b>	45°			
	<b>443HN042</b> <b>N</b>	90°			
<b>Material / Finish</b>	<b>ME</b>	Aluminum / Electroless Nickel			
	<b>MT</b>	Aluminum / Nickel-PTFE			
	<b>NF</b>	Aluminum / Olive Drab Cadmium			
	<b>ZR</b>	Aluminum / Black Zinc-Nickel			
	<b>TZ</b>	Aluminum / Tin-Zinc			
	<b>ZI</b>	Stainless Steel / Passivated			
<b>Shell Size and Arrangement</b>	Shell Size /Arrang.	Shell Organizer /Arrang.	Shell Size /Arrang.	Shell Organizer /Arrang.	
	<b>09</b>	9 (A) No	<b>21</b>	21 (G) No	
	<b>11</b>	11 (B) No	<b>21-76</b>	21 (G) 21-76	
	<b>13</b>	13 (C) No	<b>23</b>	23 (H) No	
	<b>15</b>	15 (D) No	<b>23-6</b>	23 (H) 23-6	
	<b>17</b>	17 (E) No	<b>25</b>	25 (J) No	
	<b>17-3</b>	17 (E) 17-3	<b>25-7</b>	25 (J) 25-7	
	<b>17-22</b>	17 (E) 17-22	<b>25-8</b>	25 (J) 25-8	
	<b>19</b>	19 (F) No	<b>25-17</b>	25 (J) 25-17	
	<b>19-19</b>	19 (F) 19-19			
	<b>Entry Size</b>	Size	Cable Range Min	Cable Range Max	Shell Sizes
		<b>01</b>	.125 (3.2)	.250 (6.4)	09-25
<b>02</b>		.188 (4.8)	.375 (9.5)	11-25	
<b>03</b>		.312 (7.9)	.438 (11.1)	13-25	
<b>04</b>		.343 (8.7)	.500 (12.7)	13-25	
<b>05</b>		.438 (11.1)	.625 (15.9)	15-25	
<b>06</b>		.562 (14.3)	.750 (19.1)	17-25	
<b>07</b>		.688 (17.5)	.875 (22.2)	19-25	
<b>08</b>		.812 (20.6)	1.000 (25.4)	21-25	
<b>09</b>		.938 (23.8)	1.125 (28.6)	23-25	
<b>Length</b>	<b>-4</b>	2.0 inches	<i>Length Code applies to Profile <b>S</b> only. Length in 1/2 inch increments, 2 inch minimum. Omit for 45° and 90° profiles.</i>		
	<b>-5</b>	2.5 inches			
	<b>-6</b>	3.0 inches			
	<b>-7</b>	3.5 inches			
<b>Band</b>	<i>Omit if not required</i>				
	<b>K</b>	Pre-Coiled Band Included			
<b>Polysulfide</b>	<i>Omit if not required. Applies to Plating Codes NF, ZR, TZ only.</i>				
	<b>P</b>	Nickel Plated Shield Termination Area with Polysulfide Barrier			

# Series 44 EMI Banding Backshells

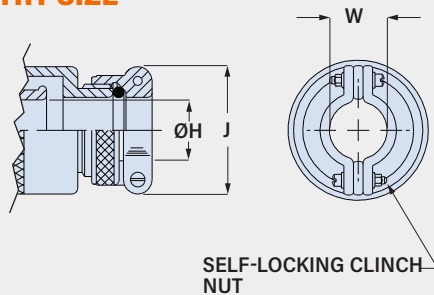
for MIL-DTL-38999 Series III and IV Connectors

## 443H\*042 Banding Backshell, Shrouded, Expanded Clearance



Shell Size	A Thread	øB Max		øC Min		D Max.		E Max.		F Max.		G Max.		Max Entry Size
		in	mm	in	mm	in	mm	in	mm	in	mm	in	mm	
9 (A)	M12X1.0-6H	.94	23.9	.372	9.4	1.893	48.1	1.903	48.3	1.433	36.4	1.443	36.7	01
11 (B)	M15X1.0-6H	1.06	26.9	.470	11.9	1.955	49.7	1.965	49.9	1.460	37.1	1.470	37.3	02
13 (C)	M18X1.0-6H	1.17	29.7	.584	14.8	2.107	53.5	2.117	53.8	1.485	37.7	1.495	38.0	04
15 (D)	M22X1.0-6H	1.29	32.8	.709	18.0	2.170	55.1	2.180	55.4	1.541	39.1	1.551	39.4	05
17 (E)	M25X1.0-6H	1.42	36.1	.834	21.2	2.275	57.8	2.285	58.0	1.580	40.1	1.590	40.4	06
19 (F)	M28X1.0-6H	1.54	39.1	.940	23.9	2.338	59.4	2.348	59.6	1.606	40.8	1.616	41.0	07
21 (G)	M31X1.0-6H	1.67	42.4	1.065	27.1	2.399	60.9	2.409	61.2	1.588	40.3	1.598	40.6	08
23 (H)	M34X1.0-6H	2.01	51.1	1.190	30.2	2.420	61.5	2.430	61.7	1.610	40.9	1.620	41.1	09
25 (J)	M37X1.0-6H	2.12	53.8	1.320	33.5	2.525	64.1	2.535	64.4	1.641	41.7	1.651	41.9	09

### ENTRY SIZE



Entry Size	Cable Range				J Max.	W Closed	ø H	Shell Sizes			
	Min.	Max.	Min.	Max.							
01	.125	3.2	.250	6.4	1.05	26.7	.264	6.7	.25	6.4	09-25
02	.188	4.8	.375	9.5	1.20	30.5	.344	8.7	.37	9.4	11-25
03	.312	7.9	.438	11.1	1.30	33.0	.460	11.7	.43	10.9	13-25
04	.343	8.7	.500	12.7	1.44	36.6	.545	13.8	.50	12.7	13-25
05	.438	11.1	.625	15.9	1.69	42.9	.698	17.7	.62	15.7	15-25
06	.562	14.3	.750	19.1	1.77	45.0	.780	19.8	.75	19.1	17-25
07	.688	17.5	.875	22.2	2.12	53.8	.950	24.1	.87	22.1	19-25
08	.812	20.6	1.000	25.4	2.50	63.5	1.015	25.8	1.00	25.4	21-25
09	.938	23.8	1.125	28.6	2.62	66.5	1.187	30.1	1.12	28.4	23-25

### BAND

Optional SST band strap provides fast, cost-effective and highly reliable termination of braided metallic shielding.

The Band-Master ATS® Advanced Cable Shield Termination System provides excellent static loading and corrosion resistance in electrical wire interconnect systems.



**Band**  
601-041

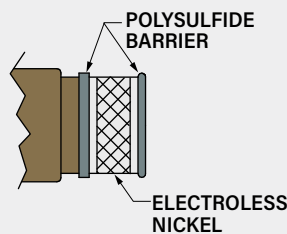


**Banding Tool**  
601-100

### POLYSULFIDE

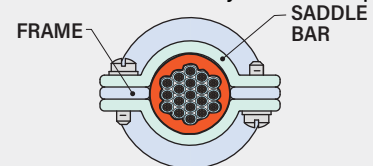
Optional selective electroless nickel plating on shield termination area and polysulfide dielectric barrier prevents galvanic mismatch between nickel-coated braid shield and backshell.

⚠ Plating codes NF, ZR and TZ only



### APPLICATION NOTE

This backshell has a full radius saddle clamp. This type of strain relief is designed to be fully closed. Saddle bars should be bottomed onto frame. Build up cable diameter with tape or sleeve to meet the diameter of the fully closed clamp.



**FULL RADIUS SADDLE CLAMP**  
SADDLE BARS SHOULD BE FULLY BOTTOMED ONTO FRAME.