

# Series 44 Banding Backshells

for Series 806 Mil-Aero Connectors

## 440V\*213 Banding Backshell, Shrink Boot, Self-Locking, Micro Band



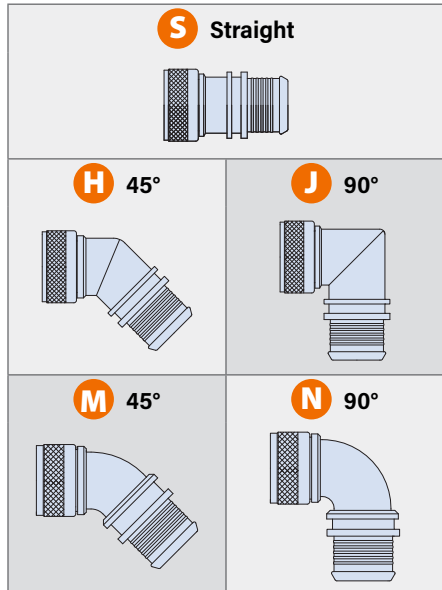
**Self-Locking**

**Self-Locking. Micro band shield termination.** 440V\*213 banding backshell fits Glenair's Series 806 connectors. Anti-decoupling mechanism provides audible detented coupling and prevents backoff under high vibration. Terminate cable braid shield to backshell with optional micro band strap. Optional shrink boot adds strain relief and environmental protection. Aluminum or stainless steel, silicone O-ring, thermoplastic or stainless steel detent spring, stainless steel band. Shrink boot is Type 1 fluid-resistant elastomeric.

**Adapter Code V**

This accessory fits Glenair Series 806 MilAero Connectors

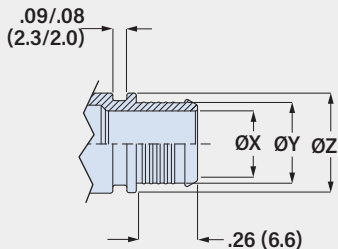
### PROFILE SELECTION GUIDE



### PART NUMBER

	<b>440VS213</b>	<b>MT</b>	<b>20</b>	<b>12-</b>	<b>8</b>	<b>K</b>	<b>P</b>	<b>T</b>
<b>Base P/N</b>	<b>Base Part No.</b>	<b>Profile</b>						
	<b>440VS213</b>	<b>S</b> Straight						
	<b>440VH213</b>	<b>H</b> 45°						
	<b>440VJ213</b>	<b>J</b> 90°						
	<b>440VM213</b>	<b>M</b> 45°						
	<b>440VN213</b>	<b>N</b> 90°						
<b>Material/Finish</b>	<b>ME</b> Alum/ Electroless Nickel <b>MT</b> Alum/ Nickel-PTFE <b>NF</b> Alum/ Olive Drab Cadmium <b>ZR</b> Alum/ Black Zinc-Nickel <b>TZ</b> Alum/ Tin-Zinc <b>ZI</b> SST/ Passivated							
<b>Shell Size</b>	<b>08 09 10 11 12 14 16 18 20 22 24</b>							
<b>Entry Size</b>	See Table 1							
<b>Length</b>	<b>6</b>	0.75 inches	Applies to Profile <b>S</b> only. If Entry Size is greater than "Maximum Entry Size" (see next page), then 1.50 inch minimum applies.					
	<b>8</b>	1.00 inch						
	<b>10</b>	1.25 inches						
	<b>12</b>	1.50 inches						
	<b>16</b>	2.00 inches						
<b>Band</b>	Omit if not required <b>K</b> Pre-Coiled Band							
<b>Polysulfide</b>	Omit if not required. Applies to Plating Codes <b>NF, ZR, TZ</b> only. <b>P</b> Nickel Plated Shield Termination Area with Polysulfide Barrier							
<b>Shrink Boot</b>	Omit if not required <b>T</b> Shrink Boot with W1 Hot Melt Pre-Coat Adhesive							

**TABLE 1: ENTRY SIZE**



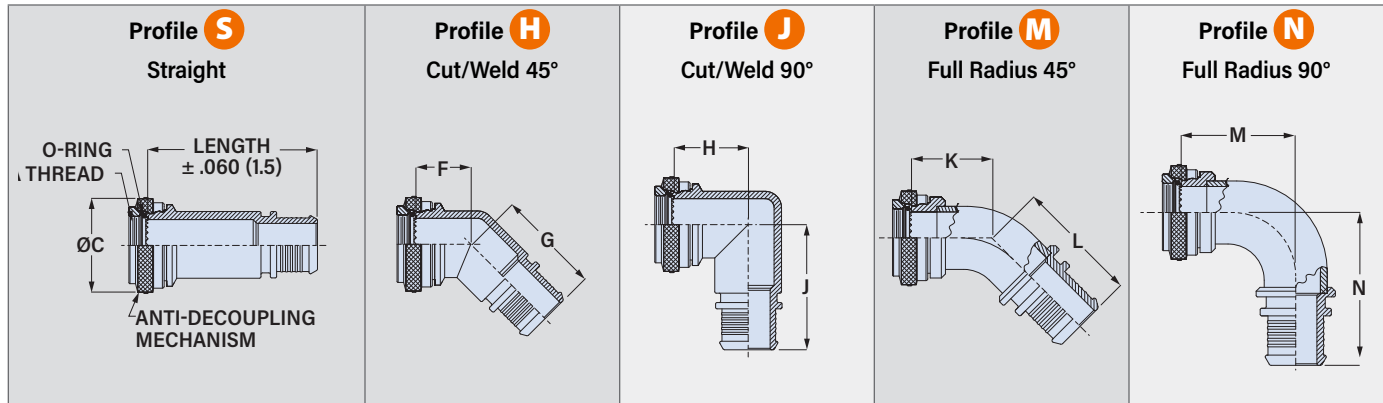
Entry Size	Shell Sizes*	±.015(0.4) in	±.015(0.4) mm	±.015(0.4) in	±.015(0.4) mm	±.015(0.4) in	±.015(0.4) mm	Entry Size	Shell Sizes*	±.015(0.4) in	±.015(0.4) mm	±.015(0.4) in	±.015(0.4) mm	±.015(0.4) in	±.015(0.4) mm
02	08-24	.125	3.2	.165	4.2	.266	6.8	11	16-24	.688	17.5	.728	18.5	.829	21.1
03	08-24	.188	4.8	.228	5.8	.329	8.4	12	18-24	.750	19.1	.800	20.3	.891	22.6
04	08-24	.250	6.4	.290	7.4	.391	9.9	13	18-24	.812	20.6	.863	21.9	.953	24.2
05	09-24	.312	7.9	.353	9.0	.453	11.5	14	20-24	.875	22.2	.925	23.5	1.016	25.8
06	10-24	.375	9.5	.415	10.5	.516	13.1	15	20-24	.938	23.8	.988	25.1	1.079	27.4
07	11-24	.438	11.1	.478	12.1	.579	14.7	16	22-24	1.000	25.4	1.050	26.7	1.141	29.0
08	12-24	.500	12.7	.540	13.7	.641	16.3	17	22-24	1.062	27.0	1.113	28.3	1.203	30.6
09	14-24	.562	14.3	.603	15.3	.703	17.9	18	24	1.125	28.6	1.175	29.8	1.266	32.2
10	16-26	.625	15.9	.665	16.9	.766	19.5	20	-	1.250	31.8	1.310	33.3	1.391	35.3

\* If selected entry size exceeds the shell size range shown in table, a Style 2 adapter will be included. Refer to Maximum Entry Size on next page for details.

# Series 44 Banding Backshells

for Series 806 Mil-Aero Connectors

## 440V\*213 Banding Backshell, Shrink Boot, Self-Locking, Micro Band



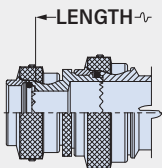
Shell Size	A Thread ISO Metric	øC Max. in	øC Max. mm	F Max. in	F Max. mm	G Max. in	G Max. mm	H Max. in	H Max. mm	J Max. in	J Max. mm	K Max. in	K Max. mm	L Max. in	L Max. mm	M Max. in	M Max. mm	N Max. in	N Max. mm
08	M10 x 1.0-6H	.692	17.58	.64	16.3	.695	17.7	.76	19.3	.905	23.0	.79	20.1	.965	24.5	.94	23.9	1.125	28.6
09	M12 x 1.0-6H	.786	19.96	.65	16.5	.735	18.7	.79	20.1	.955	24.3	.79	20.1	.965	24.5	.94	23.9	1.125	28.6
10	M14 x 1.0-6H	.883	22.43	.68	17.3	.765	19.4	.84	21.3	1.005	25.5	.79	20.1	1.035	26.3	.97	24.6	1.225	31.1
11	M15 x 1.0-6H	.911	23.14	.69	17.5	.795	20.2	.85	21.6	1.015	25.8	.79	20.1	1.035	26.3	.97	24.6	1.225	31.1
12	M17 x 1.0-6H	1.002	25.45	.72	18.3	.825	21.0	.90	22.9	1.065	27.1	.83	21.1	1.115	28.3	1.04	26.4	1.325	33.7
14	M19 x 1.0-6H	1.066	27.08	.73	18.5	.855	21.7	.93	23.6	1.095	27.8	.83	21.1	1.115	28.3	1.04	26.4	1.325	33.7
16	M22 x 1.0-6H	1.196	30.38	.77	19.6	.925	23.5	1.00	25.4	1.175	29.9	.84	21.3	1.185	30.1	1.08	27.4	1.425	36.2
18	M25 x 1.0-6H	1.311	33.30	.80	20.3	.985	25.0	1.05	26.7	1.265	32.1	.89	22.6	1.265	32.1	1.14	29.0	1.515	38.5
20	M28 x 1.0-6H	1.430	36.32	.84	21.3	1.045	26.5	1.11	28.2	1.355	34.4	.92	23.4	1.335	33.9	1.21	30.7	1.615	41.0
22	M31 x 1.0-6H	1.548	39.32	.87	22.1	1.095	27.8	1.17	29.7	1.435	36.5	.95	24.1	1.395	35.4	1.28	32.5	1.715	43.6
24	M34 x 1.0-6H	1.696	43.08	.92	23.4	1.165	29.6	1.25	31.8	1.545	39.2	.97	24.6	1.455	37.0	1.33	33.8	1.815	46.1

### MAXIMUM ENTRY SIZE

If the selected entry size exceeds the maximum size in this table, the backshell will have a front adapter. This is called a **Style 2** backshell.

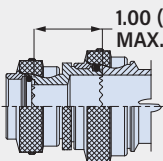
Shell Size	Max. Entry Size	Shell Size	Max. Entry Size
08	04	16	11
09	05	18	13
10	06	20	15
11	07	22	17
12	08	24	18
14	09		

### Style 2 Straight Backshell



Style 2 profile **S** straight backshell minimum length code is 12 (1.5 inches).

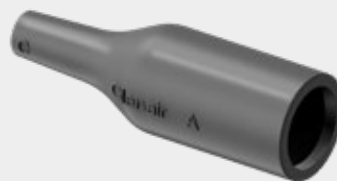
### Style 2 45° and 90° Backshells



For 45° and 90° backshells, the front adapter adds 1 inch.

### SHRINK BOOT

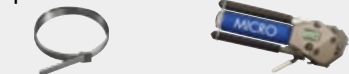
Heatshrink boot provides cable strain relief and environmental protection. Type 1 high-performance semi-rigid elastomer resists fuels and oils and withstands temperature extremes. Supplied with W1 hot melt adhesive pre-coat. Operating temperature range -55 to +125 °C.



Entry Size	Shrink Boot P/N
02 - 03	809S060-1
04 - 07	809S060-2
08 - 10	809S060-3
11 - 13	809S060-4
14 - 16	809S060-5
17 - 20	809S060-6

### BAND

Terminate cable braid to EMI backshell with optional banding strap. Stainless steel.



Micro Band

Hand Tool 601-101

Entry Sizes	Pre-Coiled Band P/N	Length	Max Diameter
02 - 10	601-061	8.13 (206)	.88 (22.4)
10 - 20	601-065	14.25 (362)	1.88 (47.8)

### POLYSULFIDE

Optional selective electroless nickel plating on shield termination area and polysulfide dielectric barrier prevents galvanic mismatch between nickel-coated braid shield and backshell.

⚠ Plating codes NF, ZR and TZ only

