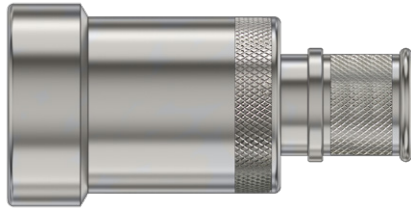


Series 44 Banding Backshells

for AS50151 Solder Connectors

440B*031 Banding Backshell, Shrink Boot, Direct Coupling



Adapter Code B

Fits AS50151 Series 1 AN Type solder Connectors. AS310*, MS3100.

PROFILE SELECTION GUIDE

S Straight

H 45°

J 90°

Banding. Direct coupling. 440B*031 banding backshell fits AS50151 (MS3100) solder connectors. Includes universal thread adapters as required to assure compatibility with all connector manufacturers. Direct coupling, environmental (requires optional shrink boot). Available in aluminum or stainless steel. Silicone O-rings.

PART NUMBER

		440BS031	NF	16	03-	3	K	T	A
Base P/N	Base Part No.	440BS031	S	Straight					
		440BH031	H	45°					
		440BJ031	J	90°					
Material/Finish	M	Alum/ Electroless Nickel							
	MT	Alum/ Nickel-PTFE							
	NF	Alum/ Olive Drab Cadmium							
	ZR	Alum/ Black Zinc-Nickel							
	TZ	Alum/ Tin-Zinc							
	ZI	SST/ Passivated							
Shell Size	Code	Shell Size	Code	Shell Size					
	05	10S	20	22					
	08	10SL	21	24					
	11	12, 12S	22	28					
	14	14, 14S	23	32					
	15	16, 16S	26	36					
	16	18	31	40					
	17	20							
Entry Size	See Table 1								
Length	3	1.5 inches	Applies to Profile S only.						
	4	2.0 inches	1.5 inch minimum. If Entry Size is greater than "Max. Entry Size" in table, then 2 inch minimum applies.						
	6	3.0 inches							
	8	4.0 inches							
Band	Omit if not required								
	K	Pre-Coiled Band Included With Backshell							
Shrink Boot	Omit if not required								
	T	Shrink Boot Included With Backshell							
Connector Manufacturer Code	A	Universal							
	Compatible with all manufacturers. Includes additional thread adapter(s) as necessary to fit multiple manufacturers. See following page for thread adapter details.								

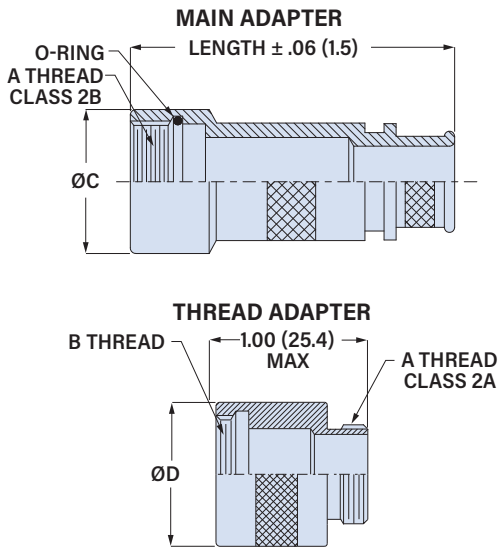
TABLE 1: ENTRY SIZE

Entry Size	±.015 (0.4)		±.015 (0.4)		±.015 (0.4)		Entry Size	±.015 (0.4)		±.015 (0.4)		±.015 (0.4)	
	in	mm	in	mm	in	mm		in	mm	in	mm	in	mm
01	.125	3.2	.250	6.4	.312	7.9	07	.875	22.2	1.000	25.4	1.062	27.0
31	.188	4.8	.312	7.9	.375	9.5	37	.938	23.8	1.062	27.0	1.125	28.6
02	.250	6.4	.375	9.5	.438	11.1	08	1.000	25.4	1.125	28.6	1.188	30.2
32	.312	7.9	.438	11.1	.500	12.7	38	1.062	27.0	1.188	30.2	1.250	31.8
03	.375	9.5	.500	12.7	.562	14.3	09	1.125	28.6	1.250	31.8	1.312	33.3
33	.438	11.1	.562	14.3	.625	15.9	10	1.250	31.8	1.375	34.9	1.438	36.5
04	.500	12.7	.625	15.9	.687	17.4	11	1.375	34.9	1.500	38.1	1.562	39.7
34	.562	14.3	.688	17.5	.750	19.1	12	1.500	38.1	1.625	41.3	1.688	42.9
05	.625	15.9	.750	19.1	.812	20.6	13	1.625	41.3	1.750	44.5	1.812	46.0
35	.688	17.5	.812	20.6	.875	22.2	14	1.750	44.5	1.875	47.6	1.938	49.2
06	.750	19.1	.875	22.2	.938	23.8	15	1.875	47.6	2.000	50.8	2.062	52.4
36	.812	20.6	.938	23.8	1.000	25.4	16	2.000	50.8	2.125	54.0	2.188	55.6

Series 44 Banding Backshells

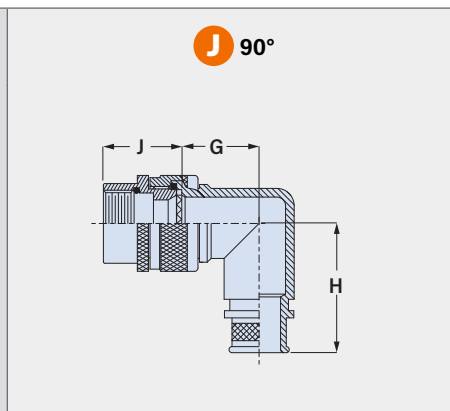
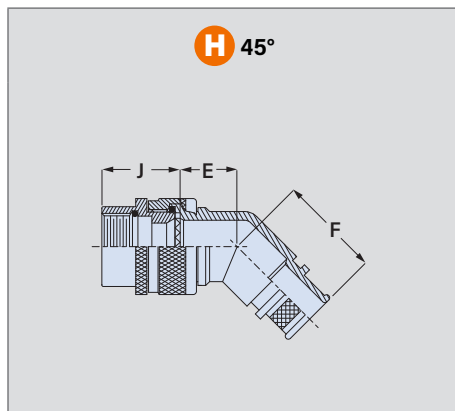
for AS50151 Solder Connectors

440B*031 Banding Backshell, Shrink Boot, Direct Coupling



Shell Size Code	Shell Size	A Main Backshell Class 2B	B Thread Adapter Class 2B	øC Max		øD Max		Max. Entry Size (1)
				in	mm	in	mm	
05	10S	0.5000-28 UNEF	0.5625-24 UNEF	.724	18.4	.687	17.4	03
08	10SL	0.5625-24 UNEF	0.6250-24 UNEF	.724	18.4	.687	17.4	33
11	12, 12S	0.6250-24 UNEF	0.6875-24 UNEF	.848	21.5	.812	20.6	33
14	14, 14S	0.7500-20 UNEF	N/A	.974	24.7	N/A	N/A	05
15	16, 16S	0.8750-20 UNEF	N/A	1.102	28.0	N/A	N/A	35
16	18	1.0000-20 UNEF	N/A	1.220	31.0	N/A	N/A	07
17	20	1.1250-18 UNEF	1.1250-24 UNS	1.343	34.1	1.312	33.3	37
20	22	1.2500-18 UNEF	N/A	1.343	34.1	N/A	N/A	09
21	24	1.3750-18 UNEF	N/A	1.600	37.3	N/A	N/A	10
22	28	1.6250-18 UNEF	N/A	1.850	40.5	N/A	N/A	11
23	32	1.8750-16 UN	1.90625-18 UNS	2.125	54.0	2.062	52.4	13
26	36	2.1250-16 UN	2.0625-16 UNS	2.375	60.3	2.312	58.7	14
			2.0625-20 UNEF					
			2.1250-18 UNS					
31	40	2.3750-16 UN	2.3125-16 UNS	2.625	66.7	2.562	65.1	16

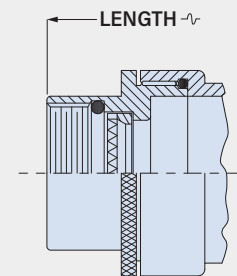
1) "Max. Entry Size" applies only to straight profile backshells. If the selected entry size is larger than the size shown in the table above, a Style 2 adapter will be included. The minimum length code increases from 3 (1 1/2 inches) to 4 (2 inches).



Entry Size	E Max		F Max		G Max		H Max	
	in	mm	in	mm	in	mm	in	mm
01	.625	15.9	.940	23.9	.732	18.6	1.078	27.4
02, 31	.625	15.9	.940	23.9	.732	18.6	1.078	27.4
03, 32	.688	17.5	1.000	25.4	.757	19.2	1.108	28.1
04, 33	.711	18.1	1.050	26.7	.781	19.8	1.128	28.7
05, 34	.781	19.8	1.150	29.2	.825	21.0	1.178	29.9
06, 35	.841	21.4	1.188	30.2	.896	22.8	1.190	30.2
07, 36	.866	22.0	1.208	30.7	1.093	27.8	1.250	31.8
08, 37	.893	22.7	1.248	31.7	1.250	31.8	1.320	33.5
09, 38	.916	23.3	1.278	32.5	1.312	33.3	1.380	35.1
10	1.134	28.8	1.448	36.8	1.375	34.9	1.500	38.1
11	1.134	28.8	1.448	36.8	1.375	34.9	1.500	38.1
12	1.185	30.1	1.488	37.8	1.687	42.8	1.620	41.1
13	1.185	30.1	1.488	37.8	1.687	42.8	1.620	41.1
14	1.225	31.1	1.538	39.1	1.812	46.0	1.750	44.5
15	1.225	31.1	1.538	39.1	1.812	46.0	1.750	44.5
16	1.225	31.1	1.788	45.4	1.812	46.0	2.000	50.8

Shell Size Code	Shell Size	J Max	
		in	mm
05	10S	1.25	31.8
08	10SL	1.25	31.8
11	12, 12S	1.25	31.8
14	14, 14S	1.25	31.8
15	16, 16S	1.56	39.6
16	18	1.56	39.6
17	20	1.56	39.6
20	22	1.56	39.6
21	24	1.56	39.6
22	28	1.56	39.6
23	32	1.75	44.5
26	36	1.75	44.5
31	40	2.19	55.6

STYLE 2 BACKSHELL



Applies to Profile S only. If the selected entry size is larger than the size shown in the table above, a Style 2 adapter will be included. The minimum length code increases from 3 (1 1/2 inches) to 4 (2 inches).

BAND

Optional SST band strap provides fast, cost-effective and highly reliable termination of braided metallic shielding.

