

Series 42 LFMC Conduit Adapters

for MIL-DTL-26482 Series I Connectors

420D*002 Adapter for LFMC Liquid-tight Flexible Metal Conduit



Adapter Code D

This accessory fits MIL-DTL-26482 Series I connectors

PROFILE SELECTION GUIDE

S Straight

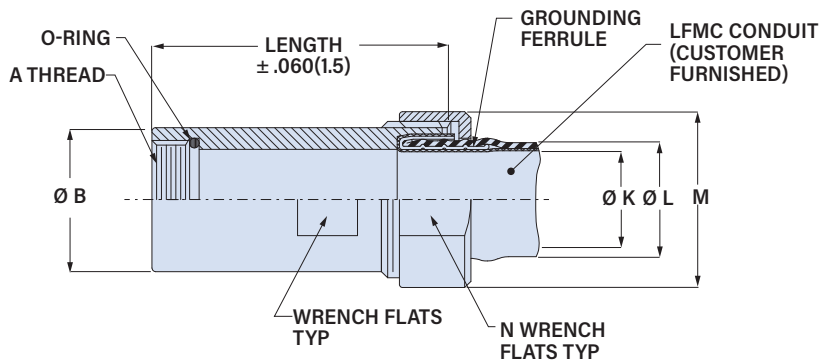
A 90°

B 45°

Watertight. Grounded. Direct coupling. 420D*002 backshell fits MIL-DTL-26482 Series I connectors. Direct coupling, environmental. Compatible with LFMC liquid-tight flexible metal conduit conforming to UL 360. Install grounding ferrule onto conduit, then tighten nut until ferrule is compressed onto metal core and jacket. Aluminum or stainless steel. Ferrule is zinc-plated steel (trade size 1 or smaller) or aluminum (1¼ or larger). O-ring and gasket are neoprene.

PART NUMBER

420DS002	M	24	02	-4		
Base P/N	Base Part No.	Profile				
	420DS002	S Straight				
	420DA002	A 90°				
	420DB002	B 45°				
Material/Finish	M	Alum/ Electroless Nickel				
	MT	Alum/ Nickel-PTFE				
	NF	Alum/ Olive Drab Cadmium				
	ZR	Alum/ Black Zinc-Nickel				
	TZ	Alum/ Tin-Zinc				
	ZI	SST/Passivate (Profile S only)				
Shell Size	08 10 12 14 16 18 20 22 24					
Conduit Size	Size Code	Conduit Trade Size	Conduit Diameter (ref.)			
			Inside		Outside	
			in	mm	in	mm
	01	3/8	.484/.504	12.3/12.8	.690/.710	17.5/18.0
	02	1/2	.622/.642	15.8/16.3	.820/.840	20.8/21.3
	03	3/4	.820/.840	20.8/21.3	1.030/1.050	26.2/26.7
	04	1	1.040/1.066	26.4/27.1	1.290/1.315	32.8/33.4
	05	1 1/4	1.380/1.410	35.1/35.8	1.630/1.660	41.4/42.2
06	1 1/2	1.575/1.600	40.0/40.6	1.875/1.900	47.6/48.3	
07	2	2.020/2.045	51.3/51.9	2.350/2.375	59.7/60.3	
Length	-3	1.5 inches				
	-4	2.0 inches				
	-6	3.0 inches				
					<i>Applies to Profile S only. Length in 1/2 inch increments.</i>	

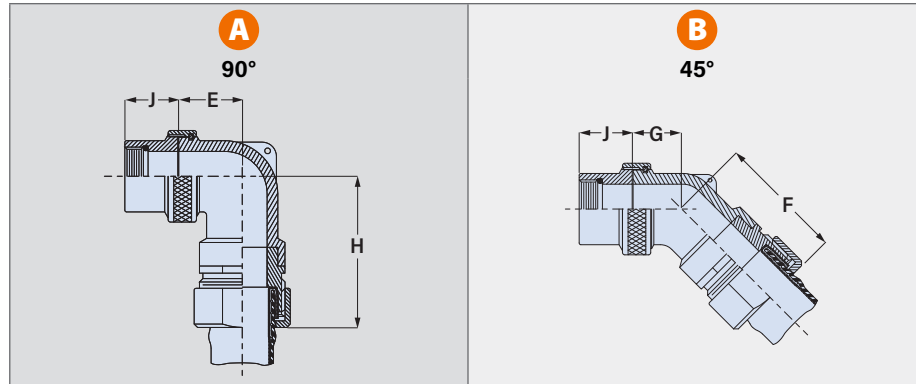


Shell Size	A Thread UNEF-2B	ØB Max		J Max	
		In	mm	In	mm
08	0.4375-28	.59	15.0	1.25	31.8
10	0.5625-24	.72	18.3	1.25	31.8
12	0.6875-24	.84	21.3	1.25	31.8
14	0.8125-20	.97	24.6	1.25	31.8
16	0.9375-20	1.09	27.7	1.56	39.6
18	1.0625-18	1.22	31.0	1.56	39.6
20	1.1875-18	1.34	34.0	1.56	39.6
22	1.3125-18	1.47	37.3	1.56	39.6
24	1.4375-18	1.59	40.4	1.56	39.6

Series 42 LFMC Conduit Adapters

for MIL-DTL-26482 Series I Connectors

420D*002 Adapter for LFMC Liquid-tight Flexible Metal Conduit



Size Code	Conduit Trade Size	Conduit Diameter (Customer Supplied)															
		E Max		F Max		G Max		H Max		K Ref		L Ref		M Max		N Max	
		in	mm	in	mm	in	mm	in	mm	in	mm	in	mm	in	mm	in	mm
01	3/8	.630	16.0	1.870	47.5	.709	18.0	1.940	49.3	.484/504	12.3/12.8	.690/710	17.5/18.0	1.155	29.3	1.000	25.4
02	1/2	.692	17.6	1.930	49.0	.734	18.6	1.960	49.8	.622/642	15.8/16.3	.820/840	20.8/21.3	1.282	32.6	1.125	28.6
03	3/4	.848	21.5	2.130	54.1	.990	25.1	2.120	53.8	.820/840	20.8/21.3	1.030/1.050	26.2/26.7	1.531	38.9	1.375	34.9
04	1	1.036	26.3	2.320	58.9	1.090	27.7	2.290	58.2	1.040/1.066	26.4/27.1	1.290/1.315	32.8/33.4	1.781	45.2	1.625	41.3
05	1 1/4	1.130	28.7	2.470	62.7	1.325	33.7	2.400	61.0	1.380/1.410	35.1/35.8	1.630/1.660	41.4/42.2	2.218	56.3	2.062	52.4
06	1 1/2	1.317	33.5	2.620	66.5	1.827	46.4	2.820	71.6	1.575/1.600	40.0/40.6	1.875/1.900	47.6/48.3	2.468	62.7	2.312	58.7
07	2	1.348	34.2	2.710	68.8	2.027	51.5	2.820	71.6	2.020/2.045	51.3/51.9	2.350/2.375	59.7/60.3	3.031	77.0	2.875	73.0