

Series 40 TAG Ring® Backshells

for MIL-DTL-38999 Series III and IV Connectors

400HD011 TAG Ring® Backshell, Self-Locking, Split, 90°



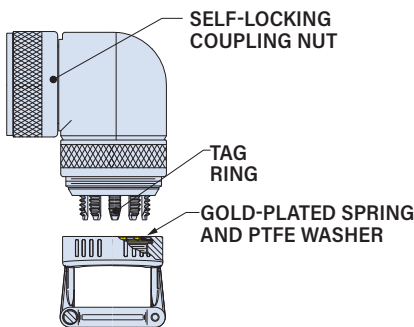
Self-Locking

Individual shield termination. Self-locking. 400HD011 backshell fits MIL-DTL-38999 Series III and Series IV connectors. Spin coupling, non-environmental. Grounding ring has slots for individual cable shields. Anti-decoupling mechanism provides audible detented coupling and prevents backoff under high vibration. Coupling nut, adapter and ground ring are aluminum alloy. Gold plated copper alloy ground spring, PTFE washer. Saddle clamp is aluminum alloy with stainless steel hardware.

- Terminal-And-Grounding (TAG) ring for individual shields
- Gold-plated ground spring
- Self-locking coupling nut
- No tools required for disassembly and repair

Adapter Code **H**

This accessory fits these connectors:
MIL-DTL-38999 Series III and Series IV



PART NUMBER

| | | | | | | | | | | |
|------------------------|---|---------------------|-----------|-----------|-----------|-----------|-----------|-----------|-----------|-----------|
| | | 400HD011 | MT | 11 | 03 | L | | | | |
| Base P/N | 400HD011 | | | | | | | | | |
| Material/Finish | M Alum/ Electroless Nickel MT Alum/ Nickel-PTFE NF Alum/ Olive Drab Cadmium ZR Alum/ Black Zinc-Nickel TZ Alum/ Tin-Zinc | | | | | | | | | |
| Shell Size | Shell Size | 9 | 11 | 13 | 15 | 17 | 19 | 21 | 23 | 25 |
| | | A | B | C | D | E | F | G | H | J |
| | Size Code | 09 | 11 | 13 | 15 | 17 | 19 | 21 | 23 | 25 |
| Entry Size | See Table 1 | | | | | | | | | |
| Strain Relief | L | Saddle Clamp | | | | | | | | |

TABLE 1: ENTRY SIZE

| Entry Size | L Max in | Cable Entry | | No. of Slots | Shell Size Range |
|------------|----------|-------------|------------|--------------|------------------|
| | | Min. in | Max. in | | |
| 02 | .968 | 24.6 | .125 3.2 | .250 6.4 | 3 09-25 |
| 03 | 1.046 | 26.6 | .250 6.4 | .375 9.5 | 4 11-25 |
| 04 | 1.156 | 29.4 | .375 9.5 | .500 12.7 | 6 13-25 |
| 05 | 1.218 | 30.9 | .500 12.7 | .625 15.9 | 8 15-25 |
| 06 | 1.343 | 34.1 | .625 15.9 | .750 19.1 | 10 17-25 |
| 07 | 1.468 | 37.3 | .750 19.1 | .875 22.2 | 10 19-25 |
| 08 | 1.593 | 40.5 | .875 22.2 | 1.000 25.4 | 12 21-25 |
| 09 | 1.718 | 43.6 | .937 23.8 | 1.125 28.6 | 15 23-25 |
| 10 | 1.843 | 46.8 | 1.062 27.0 | 1.250 31.8 | 15 25 |

| Shell Size | A Thread | øB Max in | D Max. in | F Max. in | Max. Entry Size | |
|------------|------------|-----------|-----------|-----------|-----------------|-----------|
| 9 (A) | M12X1.0-6H | .94 | 23.9 | .84 21.3 | 1.86 47.2 | 02 |
| 11 (B) | M15X1.0-6H | 1.06 | 26.9 | .91 23.1 | 1.98 50.3 | 03 |
| 13 (C) | M18X1.0-6H | 1.17 | 29.7 | .97 24.6 | 2.11 53.6 | 04 |
| 15 (D) | M22X1.0-6H | 1.29 | 32.8 | 1.03 26.2 | 2.20 55.9 | 05 |
| 17 (E) | M25X1.0-6H | 1.42 | 36.1 | 1.09 27.7 | 2.36 59.9 | 06 |
| 19 (F) | M28X1.0-6H | 1.54 | 39.1 | 1.16 29.5 | 2.48 63.0 | 07 |
| 21 (G) | M31X1.0-6H | 1.67 | 42.4 | 1.22 31.0 | 2.61 66.3 | 08 |
| 23 (H) | M34X1.0-6H | 2.01 | 51.1 | 1.28 32.5 | 2.84 72.1 | 09 |
| 25 (J) | M37X1.0-6H | 2.12 | 53.8 | 1.34 34.0 | 2.95 74.9 | 10 |

