

Series 40 TAG Ring® Backshells

for MIL-DTL-38999 Series III and IV Connectors

400HC011 TAG Ring® Backshell, Self-Locking, Split, 90° Low Profile



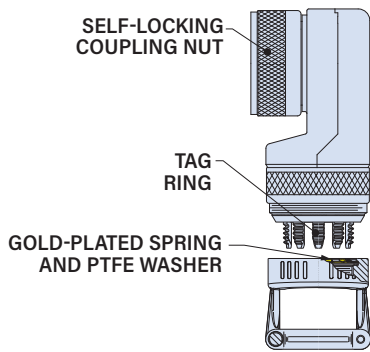
Self-Locking

Individual shield termination. Self-locking. 400HC011 backshell fits MIL-DTL-38999 Series III and Series IV connectors. Non-environmental. Grounding ring has slots for individual cable shields. Anti-decoupling mechanism in coupling nut provides audible detented coupling and prevents backoff under high vibration. Coupling nut, adapter and ground ring are aluminum alloy. Gold plated copper alloy ground spring, PTFE washer. Saddle clamp is aluminum alloy with stainless steel hardware.

- Terminal-And-Grounding (TAG) ring for individual shields
- Gold-plated ground spring
- Self-locking coupling nut
- Low profile "Cobra" configuration
- No tools required for disassembly and repair

Adapter Code H

This accessory fits these connectors:
MIL-DTL-38999 Series III and Series IV

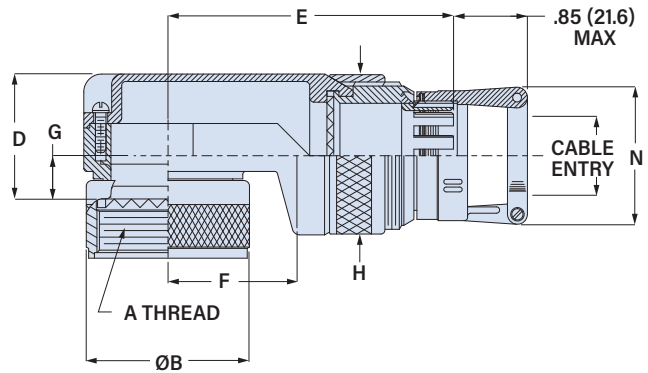


PART NUMBER

		400HC011	ZR	21	06	L				
Base P/N	400HC011									
Material/Finish	M Alum/ Electroless Nickel MT Alum/ Nickel-PTFE NF Alum/ Olive Drab Cadmium ZR Alum/ Black Zinc-Nickel TZ Alum/ Tin-Zinc									
Shell Size	Shell Size	9	11	13	15	17	19	21	23	25
		A	B	C	D	E	F	G	H	J
	Size Code	09	11	13	15	17	19	21	23	25
Entry Size	See Table 1									
Strain Relief	L Saddle Clamp, Light Duty									

TABLE 1: ENTRY SIZE

Entry Size	L Max in	L Max mm	Cable Entry			No. of Slots	Shell Size Range	
			Min. in	Min. mm	Max. mm			
02	.969	24.6	.125	3.2	.250	6.4	3	09-25
03	1.046	26.6	.250	6.4	.375	9.5	4	11-25
04	1.156	29.4	.375	9.5	.500	12.7	6	15-25
05	1.218	30.9	.500	12.7	.625	15.9	8	17-25
06	1.344	34.1	.625	15.9	.750	19.1	10	23-25



DIMENSIONS

Shell Size	A Thread	øB Max		D Max.		E Max.		F Ref.		G Ref.		øH ± .031 (0.8)		øJ ± .031 (0.8)		øK ± .031 (0.8)		Max. Entry Size
		in	mm	in	mm	in	mm	in	mm	in	mm	in	mm	in	mm	in	mm	
9 (A)	M12X1.0-6H	.94	24.8	.84	21.3	2.06	52.3	.500	12.7	.504	12.8	.666	16.9	.844	21.4	.688	17.5	02
11 (B)	M15X1.0-6H	1.06	26.9	.89	22.6	2.22	56.4	.650	16.5	.432	11.0	.825	21.0	.844	21.4	.812	20.6	03
13 (C)	M18X1.0-6H	1.17	29.7	.89	22.6	2.22	56.4	.650	16.5	.432	11.0	.825	21.0	.844	21.4	.812	20.6	03
15 (D)	M22X1.0-6H	1.29	32.7	.99	25.1	2.29	58.2	.720	18.3	.441	11.2	.925	23.5	.984	25.0	.942	23.9	04
17 (E)	M25X1.0-6H	1.42	36.1	1.14	29.0	2.34	59.4	.770	19.6	.575	14.6	1.094	27.8	1.125	28.6	1.066	27.1	05
19 (F)	M28X1.0-6H	1.54	39.1	1.34	34.0	2.37	60.2	.800	20.3	.796	20.2	1.094	27.8	1.344	34.1	1.066	27.1	05
21 (G)	M31X1.0-6H	1.67	42.4	1.34	34.0	2.37	60.2	.800	20.3	.796	20.2	1.094	27.8	1.344	34.1	1.066	27.1	05
23 (H)	M34X1.0-6H	2.01	51.1	1.34	34.0	2.52	64.0	.950	24.1	.695	17.7	1.187	30.1	1.469	37.3	1.192	30.3	06
25 (J)	M37X1.0-6H	2.12	53.8	1.34	34.0	2.52	64.0	.950	24.1	.695	17.7	1.187	30.1	1.469	37.3	1.192	30.3	06