

Series 40 TAG Ring® Backshells

for MIL-DTL-38999 Series I and II Connectors

400FC01 TAG Ring® Backshell, Self-Locking, Split, 90° Low Profile



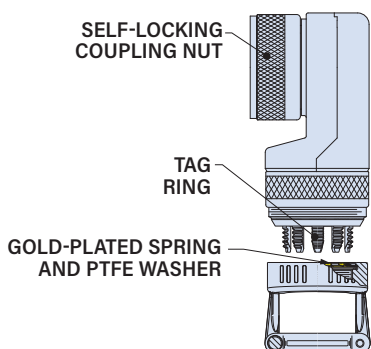
Self-Locking

Individual shield termination. Self-locking. 400FC01 backshell fits MIL-DTL-38999 Series I and Series II connectors. Spin coupling, non-environmental. Grounding ring has slots for individual cable shields. Anti-decoupling mechanism in coupling nut provides audible detented coupling and prevents backoff under high vibration. Coupling nut, adapter and ground ring are aluminum alloy. Gold plated copper alloy ground spring, PTFE washer. Saddle clamp is aluminum alloy with stainless steel hardware.

- Terminal-And-Grounding (TAG) ring for individual shields
- Gold-plated ground spring
- Self-locking coupling nut
- Low profile "Cobra" configuration
- No tools required for disassembly and repair

Adapter Code **F**

This accessory fits these connectors:
MIL-DTL-38999 Series I and Series II

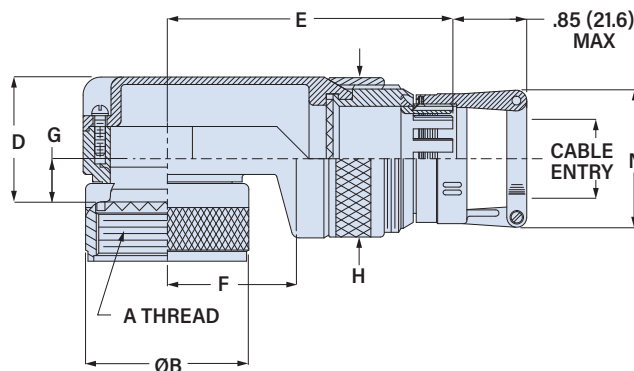


PART NUMBER

Base P/N	400FC01	ZR	20	05	L
Material/Finish	M Alum/ Electroless Nickel MT Alum/ Nickel-PTFE NF Alum/ Olive Drab Cadmium ZR Alum/ Black Zinc-Nickel TZ Alum/ Tin-Zinc				
Shell Size	38999 Series I 9 11 13 15 17 19 21 23 25 38999 Series II 8 10 12 14 16 18 20 22 24 Size Code 08 10 12 14 16 18 20 22 24				
Entry Size	See Table 1				
Strain Relief	L Saddle Clamp				

TABLE 1: ENTRY SIZE

Entry Size	N Max		Cable Entry				No. of Slots	Shell Size Range
	in	mm	in	mm	in	mm		
02	.969	24.6	.125	3.2	.250	6.4	3	08-24
03	1.046	26.6	.250	6.4	.375	9.5	4	10-24
04	1.156	29.4	.375	9.5	.500	12.7	6	14-24
05	1.218	30.9	.500	12.7	.625	15.9	8	16-24
06	1.344	34.1	.625	15.9	.750	19.1	10	22-24



Shell Size	A Thread	ØB Max.	D Max.	E Max.	F Ref.	G Ref.	± .031 (0.8)	± .031 (0.8)	± .031 (0.8)	Max. Entry Size
	UNE-F-2B	in mm	in mm	in mm	in mm	in mm	in mm	in mm	in mm	
8/9	0.4375-28	.86 21.8	.84 21.3	2.06 52.3	.500 12.7	.504 12.8	.666 16.9	.844 21.4	.688 17.5	02
10/11	0.5625-24	.97 24.6	.89 22.6	2.22 56.4	.650 16.5	.432 11.0	.825 21.0	.844 21.4	.812 20.6	03
12/13	0.6875-24	1.11 28.2	.89 22.6	2.22 56.4	.650 16.5	.432 11.0	.825 21.0	.844 21.4	.812 20.6	03
14/15	0.8125-20	1.21 30.7	.99 25.1	2.29 58.2	.720 18.3	.441 11.2	.925 23.5	.984 25.0	.942 23.9	04
16/17	0.9375-20	1.35 34.3	1.14 29.0	2.34 59.4	.770 19.6	.575 14.6	1.094 27.8	1.125 28.6	1.066 27.1	05
18/19	1.0625-18	1.46 37.1	1.34 34.0	2.37 60.2	.800 20.3	.796 20.2	1.094 27.8	1.344 34.1	1.066 27.1	05
20/21	1.1875-18	1.60 40.6	1.34 34.0	2.37 60.2	.800 20.3	.796 20.2	1.094 27.8	1.344 34.1	1.066 27.1	05
22/23	1.3125-18	1.70 43.2	1.34 34.0	2.52 64.0	.950 24.1	.695 17.7	1.187 30.1	1.469 37.3	1.192 30.3	06
24/25	1.4375-18	1.84 46.7	1.34 34.0	2.52 64.0	.950 24.1	.695 17.7	1.187 30.1	1.469 37.3	1.192 30.3	06