

Series 40 TAG Ring® Backshells

for AS50151 Crimp, M26482 Series II, M83723 Series III, AS95234

400AD011 TAG Ring® Backshell, Self-Locking, 90° Split



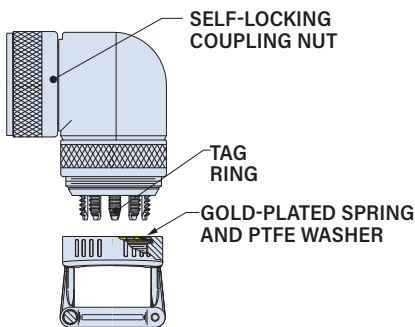
Self-Locking

Individual shield termination. Self-locking. 400AD011 backshell fits AS50151 crimp, MIL-DTL-26482 Series II, MIL-DTL-83723 Series III, and AS95234 connectors. Spin coupling, non-environmental. Grounding ring has slots for individual cable shields. Anti-decoupling mechanism in coupling nut provides audible detented coupling and prevents backoff under high vibration. Coupling nut, adapter and ground ring are aluminum alloy. Gold plated copper alloy ground spring, PTFE washer. Saddle clamp is aluminum alloy with stainless steel hardware.

- Terminal-And-Grounding (TAG) ring for individual shields
- Gold-plated ground spring
- Self-locking coupling nut
- No tools required for disassembly and repair

Adapter Code **A**

AS50151 crimp, AS95234, MIL-DTL-26482 Ser. II, MIL-DTL-83723 Ser. III



PART NUMBER

400AD011	M	18	06	L
Base P/N	400AD011			
Material/Finish	M Alum/ Electroless Nickel MT Alum/ Nickel-PTFE NF Alum/ Olive Drab Cadmium ZR Alum/ Black Zinc-Nickel TZ Alum/ Tin-Zinc			
Shell Size	08 10 12 14 16 18 20 22 24			
Entry Size	See Table 1			
Strain Relief	L Saddle Clamp			

TABLE 1: ENTRY SIZE

Entry Size	L Max in mm	Cable Entry			No. of Slots	Shell Size Range
		Min. in mm	Max. in mm	Max. in mm		
02	.968 24.6	.125 3.2	.250 6.4	.250 6.4	3	8-24
03	1.046 26.6	.250 6.4	.375 9.5	.375 9.5	4	10-24
04	1.156 29.4	.375 9.5	.500 12.7	.500 12.7	6	12-24
05	1.218 30.9	.500 12.7	.625 15.9	.625 15.9	8	14-24
06	1.343 34.1	.625 15.9	.750 19.1	.750 19.1	10	16-24
07	1.468 37.3	.750 19.1	.875 22.2	.875 22.2	10	18-24
08	1.593 40.5	.875 22.2	1.000 25.4	1.000 25.4	12	20-24
09	1.718 43.6	.937 23.8	1.125 28.6	1.125 28.6	15	22-24
10	1.843 46.8	1.062 27.0	1.250 31.8	1.250 31.8	15	24

Shell Size	A Thread Class 2B	øB Max. in mm	D Max. in mm	F Max. in mm	Max. Entry Size
08	0.500-20 UNF	.69 17.5	.84 21.3	1.86 47.2	02
10	0.625-24 UNEF	.82 20.8	.91 23.1	1.98 50.3	03
12	0.750-20 UNEF	.94 23.8	.97 24.6	2.11 53.6	04
14	0.875-20 UNEF	1.06 26.9	1.03 26.2	2.20 55.9	05
16	1.000-20 UNEF	1.17 29.7	1.09 27.7	2.36 59.9	06
18	1.0625-18 UNEF	1.46 37.1	1.16 29.5	2.48 63.0	07
20	1.1875-18 UNEF	1.60 40.6	1.22 31.0	2.61 66.3	08
22	1.3125-18 UNEF	1.70 43.2	1.28 32.5	2.84 72.1	09
24	1.4375-18 UNEF	1.84 46.7	1.34 34.0	2.95 74.9	10

