

Series 39 EMI+Environmental Backshells

for MIL-DTL-38999 Ser. I/II Connectors

390F*052 EMI+Environmental Backshell, Composite, Self-Locking

Self-Locking



Adapter Code F

This accessory fits these connectors:
MIL-DTL-38999 Series I and Series II

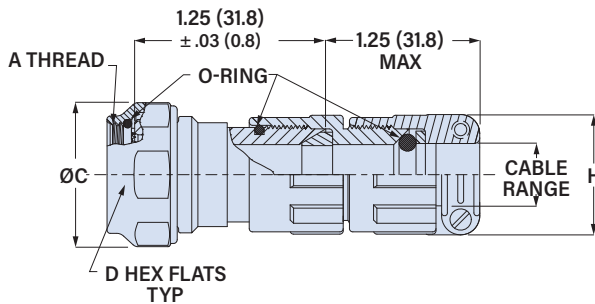
MATERIAL/FINISH

Coupling nut, saddles: glass-reinforced polyetherimide (PEI), unplated, amber color
Body and shield termination ring: polyetherimide (PEI)/finish per PN
Screws, washers: stainless steel/passivated
Anti-decoupling spring: thermoplastic

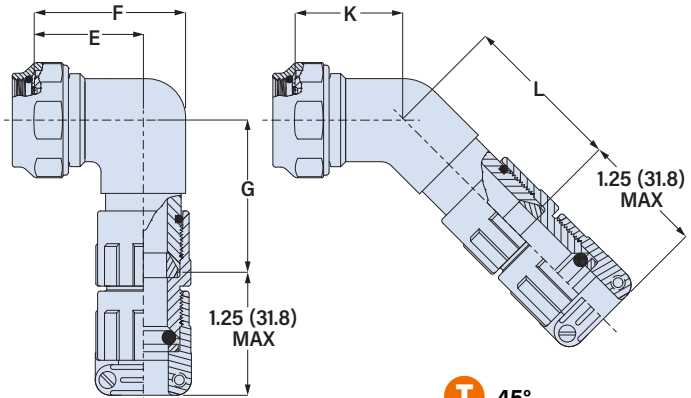
Shielded. Environmental. Corrosion proof. Self-locking. 390F*052 backshell fits MIL-DTL-38999 Series I/II connectors. Lightweight, corrosion-free composite material. Anti-decoupling mechanism provides audible detented coupling and prevents backoff under high vibration. Environmental. Cone and ring shield termination. Available with electroless nickel, nickel-PTFE, or olive drab cadmium plating. Glass-reinforced thermoplastic, telescoping stainless steel clamp screws.

PART NUMBER

		390FS052	XM	16	12	C				
Base P/N	Base Part No.	390FS052	S	Straight						
		390FT052	T	45° Elbow						
		390FW052	W	90° Elbow						
Body Finish	XM	Electroless Nickel	<i>Coupling nut and saddle clamp are unplated.</i>							
	XMT	Nickel-PTFE								
	XW	Olive Drab Cadmium								
	XTZ	Tin-Zinc								
Shell Size	Shell Size									
	38999 Series I	9	11	13	15	17	19	21	23	25
	38999 Series II	8	10	12	14	16	18	20	22	24
	Size Code	08	10	12	14	16	18	20	22	24
Entry Size	See Table 1									
Strain Relief Type	C	Saddle Clamp								



S Straight



T 45°

W 90°

TABLE 1: ENTRY SIZE

Entry Size	Cable Diameter				H Max. in	Shell Size	Shell Size	A Thread UNEF-2B	øC Max in	D Flats in	E		F		G		K		L		Max Entry Size		
	Min. in	Max. in	Min. mm	Max. mm							±.06(1.5) in	±.09(2.3) mm	±.09(2.3) in	±.06(1.5) mm	±.06(1.5) in	±.06(1.5) mm	±.06(1.5) in	±.06(1.5) mm	±.06(1.5) in	±.06(1.5) mm		±.06(1.5) in	±.06(1.5) mm
10	.13	.25	3.3	6.4	1.00	25.4	08-24	0.4375-28	.86	21.8	.750	19.1	.69	17.5	.88	22.4	1.06	27.0	.72	18.3	.88	22.4	10
12	.25	.38	6.4	9.7	1.23	31.2	10-24	0.5625-24	.98	24.9	.875	22.2	.75	19.1	1.00	25.4	1.13	28.7	.75	19.1	.94	23.9	12
14	.31	.44	7.9	11.2	1.34	34.0	12-24	0.6875-24	1.16	29.5	1.000	25.4	.81	20.6	1.13	28.7	1.19	30.2	.75	19.1	1.00	25.4	14
16	.50	.63	12.7	15.9	1.47	37.3	14-24	0.8125-20	1.28	32.5	1.125	28.6	.88	22.4	1.31	33.3	1.25	31.8	.76	19.3	1.03	26.2	16
18	.56	.69	14.2	17.5	1.56	39.6	16-24	0.9375-20	1.41	35.8	1.250	31.8	.94	23.9	1.38	35.1	1.31	33.3	.78	19.8	1.06	26.9	20
20	.63	.75	16.0	19.1	1.62	41.1	16-24	1.0625-18	1.52	38.6	1.375	34.9	.97	24.6	1.44	36.6	1.34	34.0	.79	20.1	1.07	27.2	20
22	.75	.88	19.1	22.2	1.75	44.5	20-24	1.1875-18	1.64	41.7	1.500	38.1	1.06	26.9	1.63	41.4	1.44	36.6	.82	20.8	1.09	27.7	22
24	.88	1.00	22.4	25.4	1.87	47.5	22-24	1.3125-18	1.77	45.0	1.625	41.3	1.13	28.7	1.75	44.5	1.50	38.1	.86	21.8	1.14	29.0	24
28	1.00	1.13	25.4	28.6	1.97	50.0	24	1.4375-18	1.89	48.0	1.750	44.5	1.19	30.2	1.88	47.8	1.56	39.6	.92	23.4	1.17	29.7	28