

# Series 38 EMI Backshells

for Series 806 Mil/Aero Connectors

## 387V\*243 EMI Backshell, Composite, Self-Locking



**Self-Locking**

**Adapter Code V**

This accessory fits Glenair Series 806 MilAero Connectors

### MATERIAL/FINISH

Coupling nut, saddles: glass-reinforced polyetherimide (PEI), unplated, black  
 Body and shield termination ring: polyetherimide (PEI)/finish per PN  
 Screws, washers: stainless steel/passivated  
 Anti-decoupling spring: thermoplastic  
 Ground rings: aluminum, finish per PN

**TABLE 1: ENTRY SIZE**

Entry Size	Cable Entry		G Max.		Shell Size
	± .039 (1.0) in	mm	in	mm	
04	.312	7.9	1.125	28.6	08-24
06	.437	11.1	1.250	31.8	10-24
08	.500	12.7	1.312	33.3	12-24
10	.625	15.9	1.438	36.5	14-24
12	.750	19.1	1.625	41.3	18-24
14	.874	22.2	1.688	42.9	20-24
16	.937	23.8	1.750	44.5	22-24
17	1.094	27.8	1.906	48.5	24

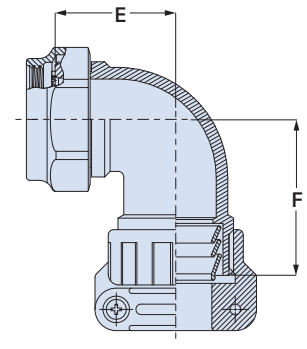
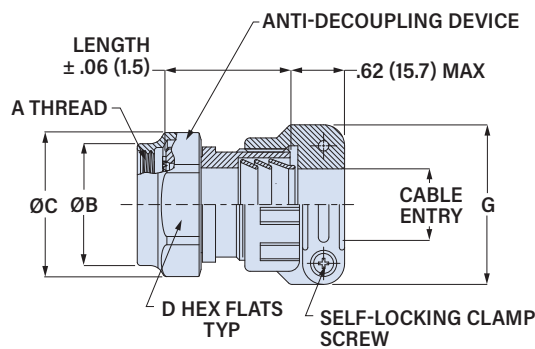
**Shielded. Corrosion proof. Self locking.** 387V\*243 backshell fits Glenair Series 806 connectors. Lightweight, corrosion-free composite material. Anti-decoupling mechanism provides audible detented coupling and prevents backoff under high vibration. Non-environmental. Available with electroless nickel, nickel-PTFE, or olive drab cadmium plating. Glass-reinforced thermoplastic, aluminum ground rings, telescoping stainless steel clamp screws.

### PART NUMBER

	<b>387VS243</b>	<b>XM</b>	<b>14</b>	<b>10</b>	<b>-6</b>
Base P/N	Base Part No.	Profile			
	<b>387VS243</b>	<b>S</b> Straight			
	<b>387VW243</b>	<b>W</b> 90° Elbow			
Body Finish	<b>XM</b>	Electroless Nickel	<i>Coupling nut and saddle clamp are unplated.</i>		
	<b>XMT</b>	Nickel-PTFE			
	<b>XW</b>	Olive Drab Cadmium			
	<b>XTZ</b>	Tin-Zinc			
Shell Size	<b>08 09 10 11 12 14 16 18 20 22 24</b>				
Entry Size	<i>See Table 1</i>				
Length	<b>4</b>	1.00 inches	<i>Length applies to Profile S (straight) only. in ¼ inch increments, 1.0 inch minimum.</i>		
	<b>5</b>	1.25 inches			
	<b>6</b>	1.50 inches			
	<b>8</b>	2.0 inches			

**S** Straight

**W** 90°



Shell Size	A Thread	øB Max		øC Max		D Flats		E ± .078(2.0)		F ± .078(2.0)		Max Entry Size
		in	mm	in	mm	in	mm	in	mm	in	mm	
08	M10 x 1.0-6H	.65	16.5	.86	21.8	.75	19.1	.722	18.3	1.750	44.4	04
09	M12 x 1.0-6H	.65	16.5	.86	21.8	.75	19.1	.722	18.3	1.750	44.4	04
10	M14 x 1.0-6H	.77	19.6	.98	24.9	.88	22.2	.784	19.9	1.820	46.2	06
11	M15 x 1.0-6H	.77	19.6	.98	24.9	.88	22.2	.784	19.9	1.820	46.2	06
12	M17 x 1.0-6H	.89	22.6	1.16	29.5	1.00	25.4	.816	20.7	1.860	47.2	08
14	M19 x 1.0-6H	1.03	26.2	1.28	32.5	1.13	28.6	.878	22.3	1.880	47.8	10
16	M22 x 1.0-6H	1.03	26.2	1.28	32.5	1.13	28.6	.878	22.3	1.880	47.8	10
18	M25 x 1.0-6H	1.15	29.2	1.41	35.8	1.25	31.8	.942	23.9	1.942	49.3	12
20	M28 x 1.0-6H	1.28	32.5	1.52	38.6	1.38	34.9	1.003	25.5	2.000	50.8	14
22	M31 x 1.0-6H	1.41	35.8	1.64	41.7	1.50	38.1	1.037	26.3	2.062	52.4	16
24	M34 x 1.0-6H	1.53	38.9	1.77	45.0	1.63	41.3	1.116	28.3	2.194	55.7	17