

Series 38 EMI Backshells

for Series 80 Mighty Mouse Connectors

380M*137 EMI Backshell, Spin Coupling

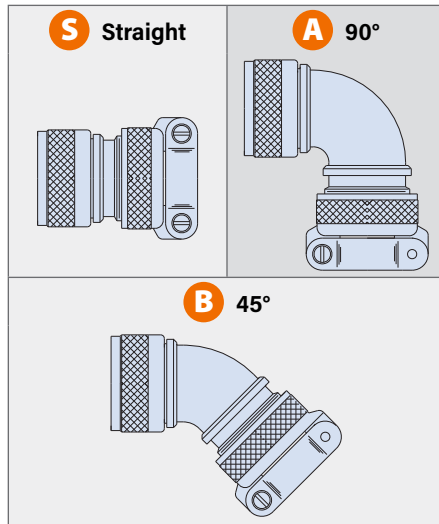


EMI. Low profile. Straight, 45°, and 90°. 380M*137 backshell fits Glenair Series 80 Mighty Mouse connectors. For use with shielded cable. Fold cable braid over ground ring for 360° shielding. Cable clamp has stainless steel screws and lockwashers. Available in aluminum or stainless steel.

Adapter Code M

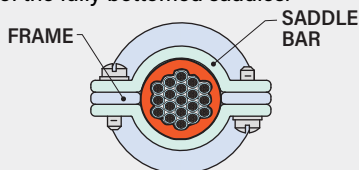
This accessory fits Series 80 Mighty Mouse Connectors

PROFILE SELECTION GUIDE



APPLICATION NOTE

This backshell has a **full radius** saddle clamp. This type of strain relief is designed to be fully bottomed onto the frame. Build up cable diameter with tape or sleeve to meet the diameter of the fully closed clamp. See H dimension in Table 2 for the diameter of the fully bottomed saddles.



FULL RADIUS SADDLE CLAMP

SADDLE BARS SHOULD BE FULLY BOTTOMED ONTO FRAME.

PART NUMBER

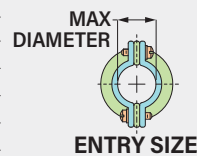
380MS137 MT 13 08 -8

Base P/N	Profile
380MS137	S Straight
380MB137	B 45°
380MA137	A 90°

Material/Finish	Code	Description
M		Alum/Electroless Nickel
MT		Alum/Nickel-PTFE
NF		Alum/Olive Drab Cadmium
ZR		Alum/Black Zinc-Nickel
TZ		Alum/Tin-Zinc
ZI		SST/Passivated

Shell Size Code	Shell Size Series		A Thread UNEF-2B	Min-Max Entry Size Profiles	
	800, 801, 803, 804	Series 805		A B	S
05	5	N/A	0.250-32	01-05	01-05
06	6	N/A	0.3125-32	01-06	01-08
11	N/A	8	0.3750-32	01-06	01-08
07	7	9	0.4375-28	01-08	01-09
08	8	10	0.500-28	03-10	02-10
09	9	11	0.5625-24	03-10	03-11
10	10	12	0.625-24	03-13	03-12
12	11, 12, 13	13	0.6875-24	04-13	04-12
13	N/A	15	0.750-20	04-13	05-13
14	14, 15, 16, 17	18, 19	0.9375-20	06-13	05-13
16	19	21	1.0625-18	08-13	06-13
17	21	23	1.1875-18	08-13	07-13

Entry Size	Max Dia (Closed)	Min-Max Shell Size Profiles	
		A B	S
01	.14 (3.6)	05-07	05-07
02	.20 (5.1)	05-07	05-08
03	.26 (6.6)	05-10	05-10
04	.33 (8.4)	05-13	05-12
05	.39 (9.9)	05-13	05-14
06	.45 (11.4)	06-14	06-16
07	.51 (13.0)	07-14	06-17
08	.58 (14.7)	07-17	06-17
09	.64 (16.3)	08-17	07-17
10	.70 (17.8)	08-17	08-17
11	.76 (19.3)	10-17	09-17
12	.89 (22.6)	10-17	10-17
13	1.02 (25.9)	10-17	13-17



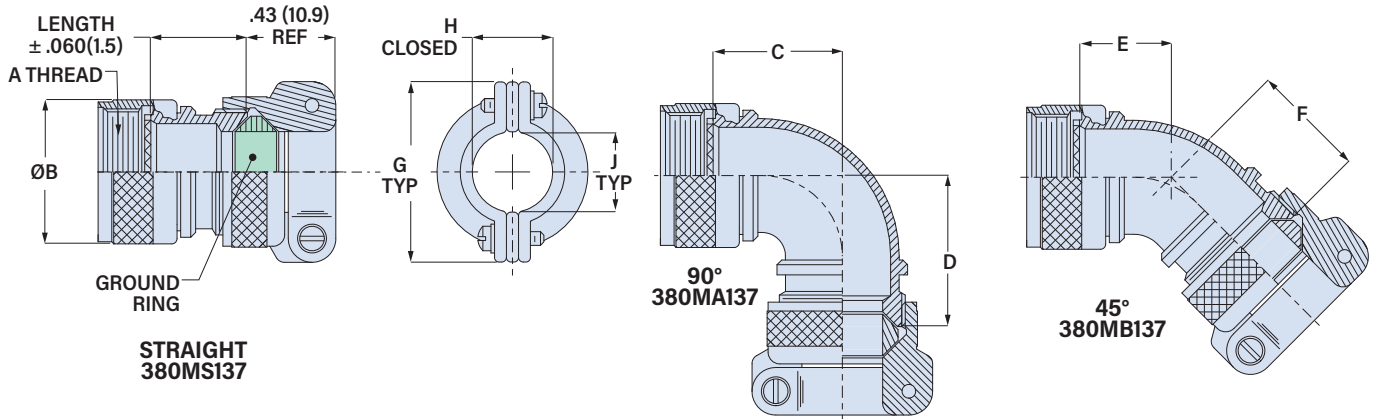
Length Code	Length	Length Code	Length
6	.75 (19.1)	12	1.50 (38.1)
8	1.00 (25.4)	16	2.00 (50.8)

Length applies to Profile **S** (straight) only. in 1/8 inch increments.

Series 38 EMI Backshells

for Series 80 Mighty Mouse Connectors

380M*137 EMI Backshell, Spin Coupling



Shell Size Code	Shell Size			A Thread UNEF-2B	øB Max.		Min/Max Entry Size			
	Series 800, 801, 803, 804	Series 805			in	mm	Profile A B Min	Profile A B Max	Profile S Min	Profile S Max
05	5	N/A		0.250-32	.470	11.9	01	05	01	05
06	6	N/A		0.3125-32	.530	13.5	01	06	01	08
11	N/A	8		0.3750-32	.570	14.5	01	06	01	08
07	7	9		0.4375-28	.637	16.2	01	08	01	09
08	8	10		0.500-28	.700	17.8	03	10	02	10
09	9	11		0.5625-24	.758	19.3	03	10	03	11
10	10	12		0.625-24	.819	20.8	03	13	03	12
12	11, 12, 13	13		0.6875-24	.896	22.8	04	13	04	12
13	N/A	15		0.750-20	.930	23.6	04	13	05	13
14	14, 15, 16, 17	18, 19		0.9375-20	1.137	28.9	06	13	05	13
16	19	21		1.0625-18	1.230	31.2	08	13	06	13
17	21	23		1.1875-18	1.387	35.2	08	13	07	13

Entry Size	C Max.		D Max.		E Max.		F Max.		G Typ.		øH Closed ±.03 (0.8)		øJ ±.03 (0.8)		øK ±.015 (0.4)	
	in	mm	in	mm	in	mm	in	mm	in	mm	in	mm	in	mm	in	mm
01	.724	18.4	.702	17.8	.603	15.3	.581	14.8	.496	12.6	.11	2.8	.119	3.0	.398	10.1
02	.724	18.4	.702	17.8	.603	15.3	.581	14.8	.582	14.8	.17	4.3	.182	4.6	.460	11.7
03	.724	18.4	.702	17.8	.603	15.3	.581	14.8	.656	16.7	.23	5.8	.244	6.2	.523	13.3
04	.786	20.0	.764	19.4	.629	16.0	.607	15.4	.726	18.4	.30	7.6	.307	7.8	.585	14.9
05	.786	20.0	.764	19.4	.629	16.0	.607	15.4	.885	22.5	.36	9.1	.369	9.4	.647	16.4
06	.848	21.5	.826	21.0	.655	16.6	.633	16.1	.952	24.2	.42	10.7	.432	11.0	.710	18.0
07	.848	21.5	.826	21.0	.655	16.6	.633	16.1	1.018	25.9	.48	12.2	.494	12.5	.773	19.6
08	.911	23.1	.889	22.6	.707	18.0	.685	17.4	1.084	27.5	.55	14.0	.557	14.1	.835	21.2
09	.911	23.1	.889	22.6	.707	18.0	.685	17.4	1.148	29.2	.61	15.5	.619	15.7	.897	22.8
10	.973	24.7	.951	24.2	.733	18.6	.711	18.1	1.211	30.8	.67	17.0	.682	17.3	.959	24.4
11	.973	24.7	.951	24.2	.733	18.6	.711	18.1	1.273	32.3	.73	18.5	.744	18.9	1.021	25.9
12	1.036	26.3	1.014	25.8	.785	19.9	.763	19.4	1.400	35.6	.86	21.8	.869	22.1	1.083	27.5
13	1.098	27.9	1.076	27.3	.811	20.6	.789	20.0	1.539	39.1	.99	25.1	1.010	25.7	1.145	29.1